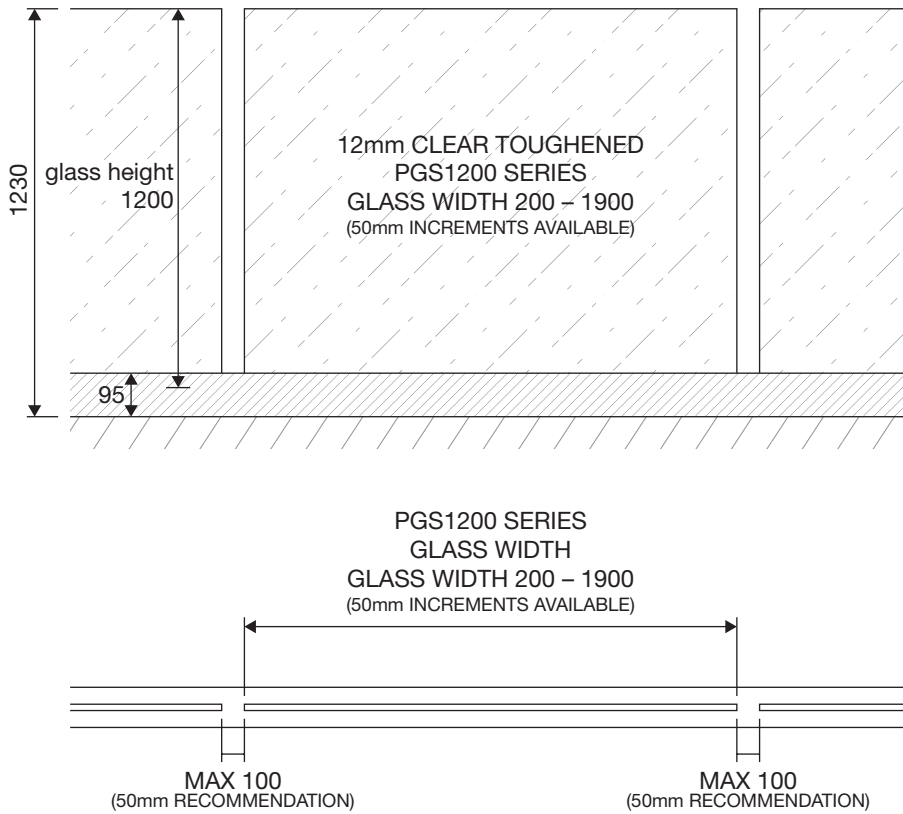
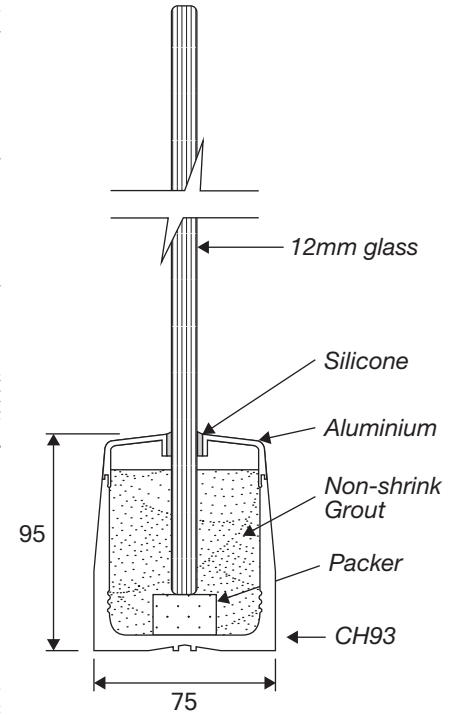


CH SERIES POOL FENCE DETAILS

LAYOUT



ASSEMBLY



PRODUCT TYPE/

Stainless Steel + Pool Gate [CHANNEL Series]

Pool fence application will be dependant on a number of factors including the environmental conditions and pool fencetype. We recommend that you consult with a suitable qualified engineer to determine suitability on an individual project basis.

GATE PACKAGES TO SUIT/

- PGP/GGF 1230/900 (C4, pg2)
- PGP/GGH 1200/900 (C4, pg3)