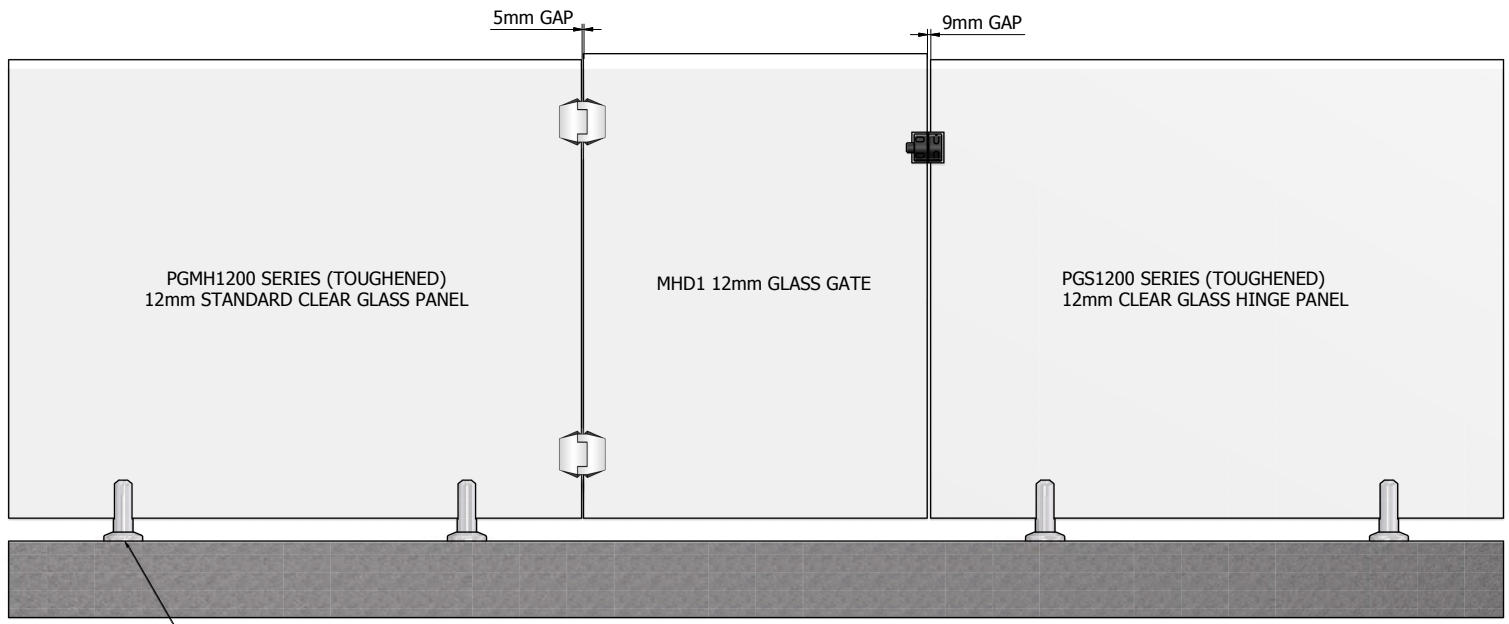




FRAMELESS MP SERIES GLASS
POOL FENCING WITH MAGNA GATE
INSTALLATION GUIDE

PRODUCT CODE: MP/MH



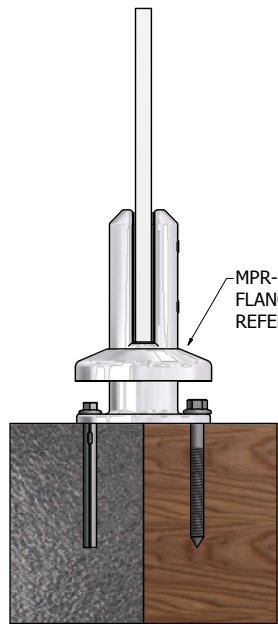
PGMH1200 SERIES (TOUGHENED)
12mm STANDARD CLEAR GLASS PANEL

MHD1 12mm GLASS GATE

PGS1200 SERIES (TOUGHENED)
12mm CLEAR GLASS HINGE PANEL

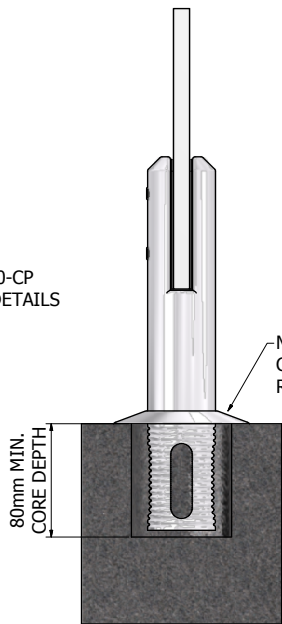
2205 STAINLESS STEEL
SPIGOT + COVER PLATE

FRONT ELEVATION VIEW



FLANGED
SPIGOT DETAIL

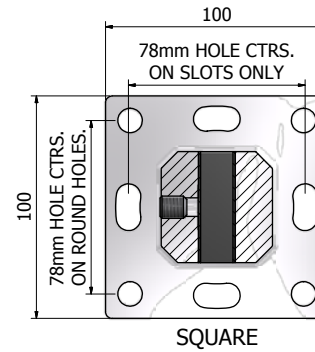
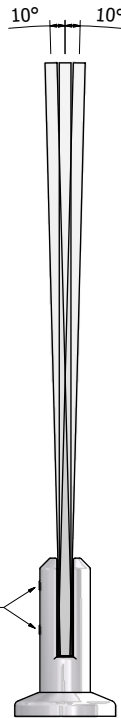
MPR-150 / MPR-150-CP
FLANGED FIXING DETAILS
REFER TO NOTES



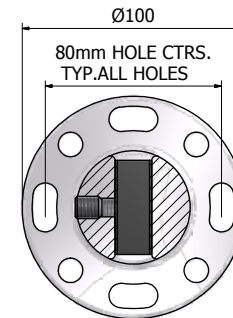
CORE DRILL
SPIGOT DETAIL

MPR-250 / MPR-250-DR
CORE DRILLED DETAILS
REFER TO NOTES

ADJUST GLASS ANGLE
BY SETTING GRUB SCREWS
IN & OUT - UP TO 10°
EACH WAY



SQUARE



ROUND

PRODUCT CODE:
MP/MH

PRODUCT TYPE:
MAGNA HINGE GATE PACKAGE
TO SUIT MP AND INGROUND SERIES

AVAILABLE FINISHES:
- SATIN
- POLISHED

AUSTRALIAN STANDARDS:
REGULATION No. AS1926.1 - POOL SAFETY STANDARDS
REGULATION No. AS2088 - A GRADE TOUGHENED GLASS

GLASS INCLUDED:
- MAGNA HINGE DOOR PANEL (MHD1) 1200x900mm
- POOL GLASS MAGNA HINGE PANEL (PGMH)
WIDTHS AVAILABLE FROM 800mm TO 1900mm
(IN 50mm INCREMENTS)
- POOL GLASS STANDARD PANEL 1200mm (PGS1200)
WIDTHS AVAILABLE FROM 200mm TO 2000mm
(IN 50mm INCREMENTS)

HARDWARE INCLUDED:
- POLARIS HINGE PAIR
(120PGGP)
- FRICTION LATCH (FL-GG)

SPIGOTS
- MPR-150 (MINI POST - ROUND)
- MPR-150-CP (COVER PLATE - ROUND)
- MPR-250 (MINI POST IN GROUND - ROUND)
- MPR-250-DR (DRESS RING - ROUND)
- MPS-150 (MINI POST - SQUARE)
- MPS-150-CP (COVER PLATE - SQUARE)
- MPS-250 (MINI POST INGROUND - SQUARE)
- MPS-250-DR (DRESS RING - SQUARE)

RECOMMENDED SPIGOT FIXINGS
- FLANGED SPIGOT - ON CONCRETE
M10 x 100mm STAINLESS ALLTHREAD & NUT
CHEMSET CHEMICAL ANCHOR
OR 10mm x 100mm STAINLESS STEEL DYNA BOLT

- FLANGED SPIGOT ON TIMBER
M10 x 100mm STAINLESS STEEL
HEX HEAD COACH SCREW

- CORE DRILLED SPIGOT
MINIMUM Ø75mm x 80mm DEEP CORE DRILL HOLE
FILLED WITH TGRQ-20 BOSTIK TECHFLOW
NON-SHRINK GROUT

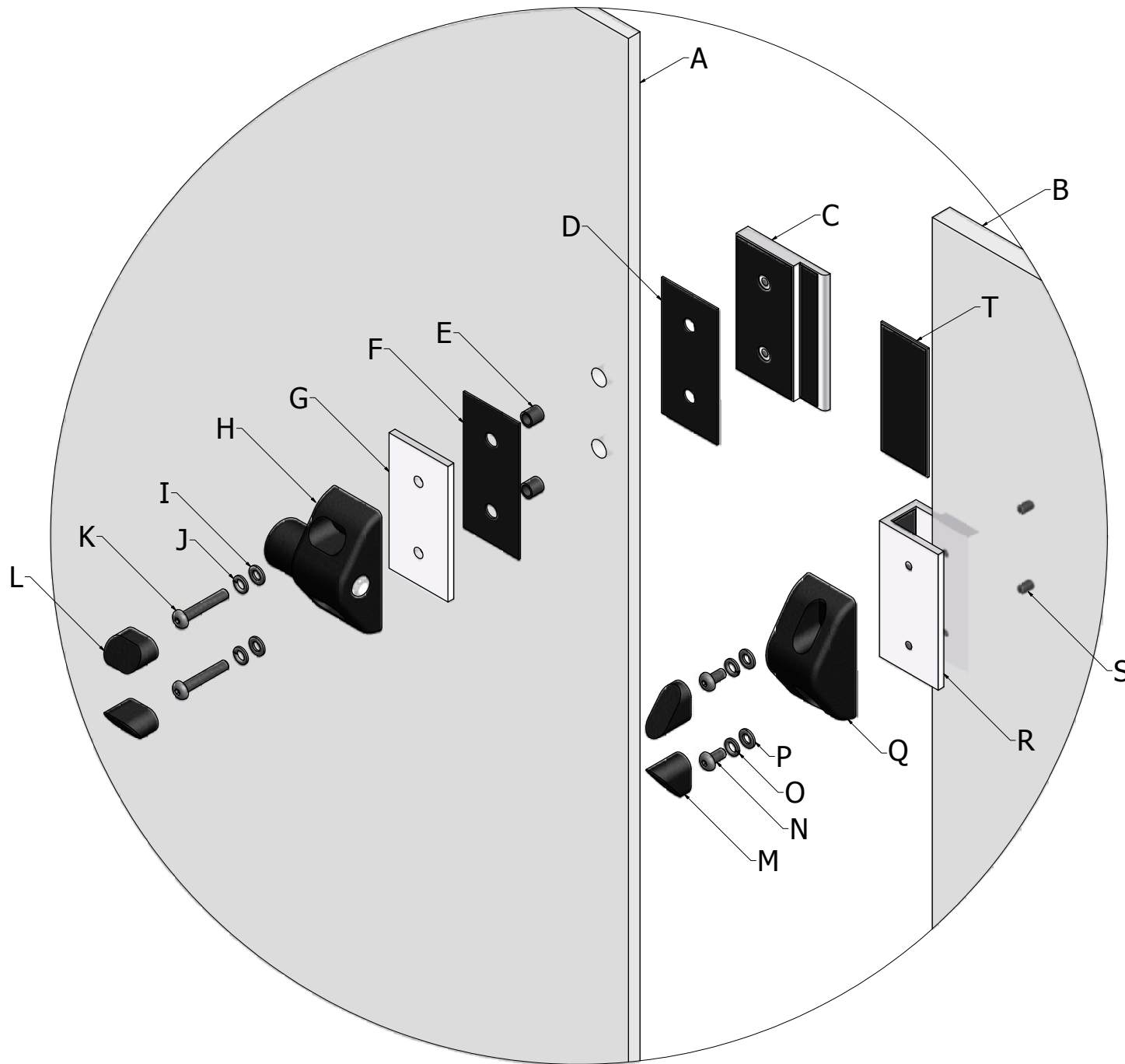


21 ENCORE AVENUE, SOMERTON, VICTORIA AUSTRALIA 3062

WEBSITE: www.framelessdirect.com.au
EMAIL: sales@framelessdirect.com.au

TEL: 03 9303 9008
FAX: 03 8339 2425

FL-GG GLASS TO GLASS MAGNALATCH D.I.Y. ASSEMBLY GUIDE



ITEM LIST

- A - 12mm GLASS GATE PANEL
- B - 12mm HINGE GLASS PANEL
- C - LATCH BACKING KEEPER PLATE
- D - RUBBER SPACER
- E - HOLE SPACER
- F - RUBBER SPACER
- G - LATCH FIXING PLATE
- H - MALE LATCH HOUSING LOCKABLE
- I - M5 STAINLESS STEEL FLAT WASHER
- J - M5 STAINLESS STEEL SPRING WASHER
- K - M5 x 30 STAINLESS STEEL BUTTON HEAD SOCKET SCREW
- L - HOLE PLUG (MALE HOUSING)
- M - HOLE PLUG (FEMALE HOUSING)
- N - M5 x 10 STAINLESS STEEL BUTTON HEAD SOCKET SCREW
- O - M5 STAINLESS STEEL SPRING WASHER
- P - M5 STAINLESS STEEL FLAT WASHER
- Q - FEMALE LATCH HOUSING
- R - FRICTION LATCH PLATE
- S - M5 STAINLESS STEEL GRUB SCREW
- T - FRICTION LATCH PRESSURE PLATE

frameless
direct
architectural glass and hardware 

21 ENCORE AVENUE, SOMERTON, VICTORIA AUSTRALIA 3062

WEBSITE: www.framelessdirect.com.au

EMAIL: sales@framelessdirect.com.au

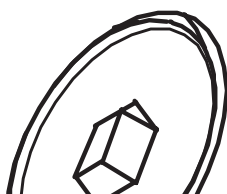
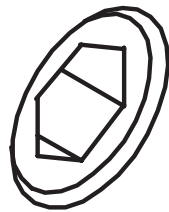
TEL: 03 9303 9008

FAX: 03 8339 2425



POLARIS
SOFT CLOSE HINGE

Product Guide



INTRODUCING POLARIS SOFT CLOSE HINGE STATE-OF-THE-ART SELF-CLOSING HINGE FOR FRAMELESS GLASS

The Polaris Soft Close Hinge developed by Glass Hardware Australia is a unique self-closing hinge for use in all outdoor and indoor frameless glass applications. It was designed to meet the tough requirements of frameless glass pool fencing in Australia so can be used in all applications where glass doors or gates are needed. The Polaris Soft Close Hinge is designed to be resistant to chemicals, to operate in a wet environment and to withstand constant outdoor use and the harsh Australian weather.

To be used as a glass pool fence hinge meant it had to be durable, reliable and last for at least ten years. The sleek stainless steel construction makes it strong and durable but also makes it stylish and attractive. As an architectural feature it is minimalist and its design geometry is compatible with the toughened glass it supports.

The Polaris Soft Close Hinge uses a spring and shock absorbers to ensure gentle closing every time from any position, position, whether fully or only slightly open. The Polaris Soft Close Hinge closes with a soft and light action not only making it safe but also quiet in operation.

As a glass pool fence hinge it is the safest and most reliable hinge in the industry complying with the stringent Australian Standards AS1926 and AS 2820. Both the Royal Life Saving Society Australia and the Samuel Morris Foundation—organisations dedicated to preventing child drownings—have endorsed the product for use in Australian pools.

In 2010 & 2016 the Polaris Soft Close Hinge was awarded a prestigious Australian International Design Mark™ Award. Presented by Standards Australia, the Australian International Design Awards

is Australia's premier design assessment program. Products were judged for their innovation, visual and emotional appeal, functionality, quality of manufacturing, usability (ergonomics and safety) and environmental sustainability.

Michael Stuart, the CEO of Glass Hardware Australia, is an industry insider with significant, first-hand experience of installation (and materials supply) and understands the needs of installers, customers and other major stakeholders in the industry. His passionate concern for the safety of glass pool fences has driven him to develop a soft close hinge that will not only meet Australia's safety standards for glass pool fences but is suitable for a range of indoor and outdoor applications.

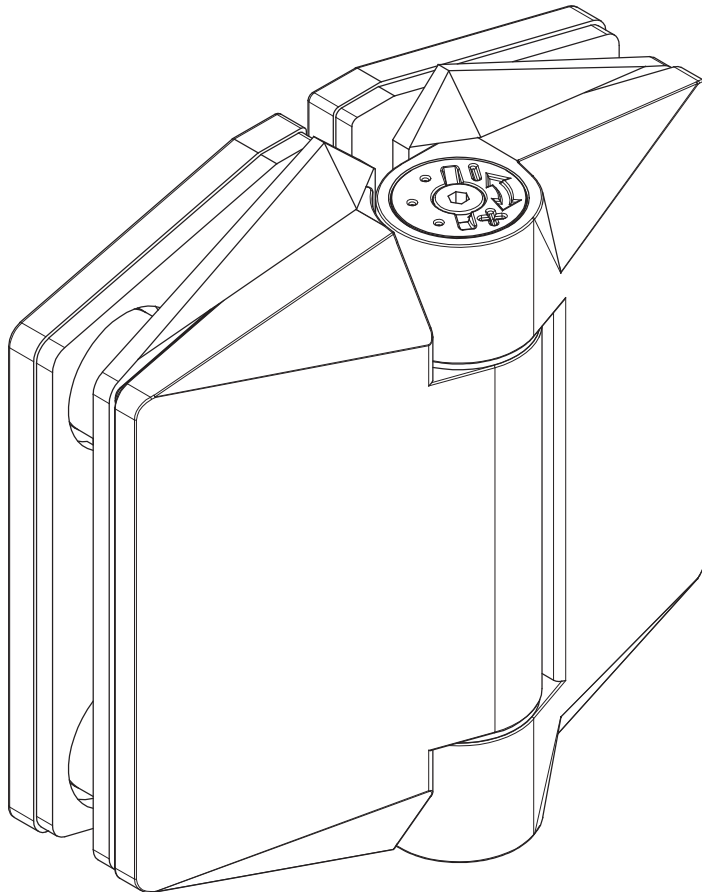
The Polaris Soft Close Hinge is a state-of-the-art product that is ahead of its rivals in design, style and safety.

CONTENTS

01	120 SERIES POOL HINGE	1-6
	Glass to Glass	
	Glass to Wall	
	Glass to Square Post	
02	GLASSCUTOUTS	7-8
	120, 220 & 320 Series Hinge Glass to Glass cut out	
	120, 220 & 320 Series Hinge Glass to Wall/Post cut out	

120 SERIES POOL HINGE

GLASS TO GLASS



FINISHES AND FUNCTIONS

- 2205 GRADE STAINLESS STEEL
- POLISHED STAINLESS
- BRUSHED STAINLESS
- MATT BLACK
- SINGLE ACTION
- SOFT CLOSE
- NON-HOLD OPEN
- ANTI-FOOT-HOLD GASKET



10mm
12mm



MAX.
900mm WIDE x
1500mm HIGH



MAX 45kg



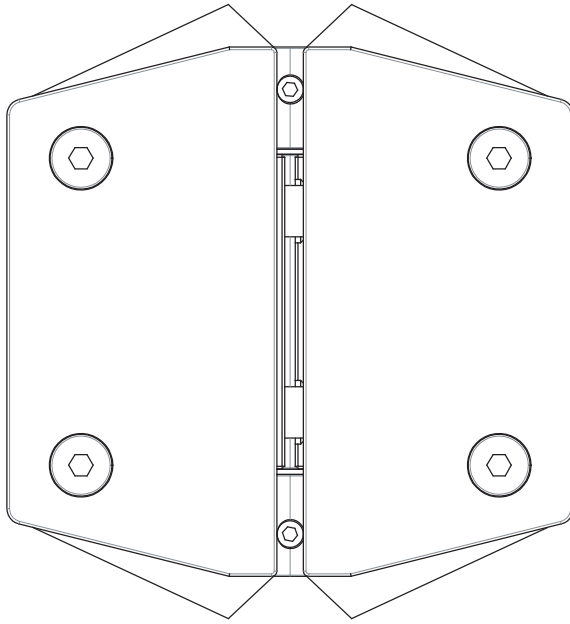
- 10°C
+ 50°C



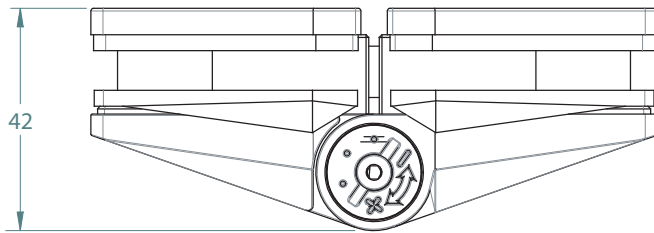
90°

120 SERIES POOL HINGE

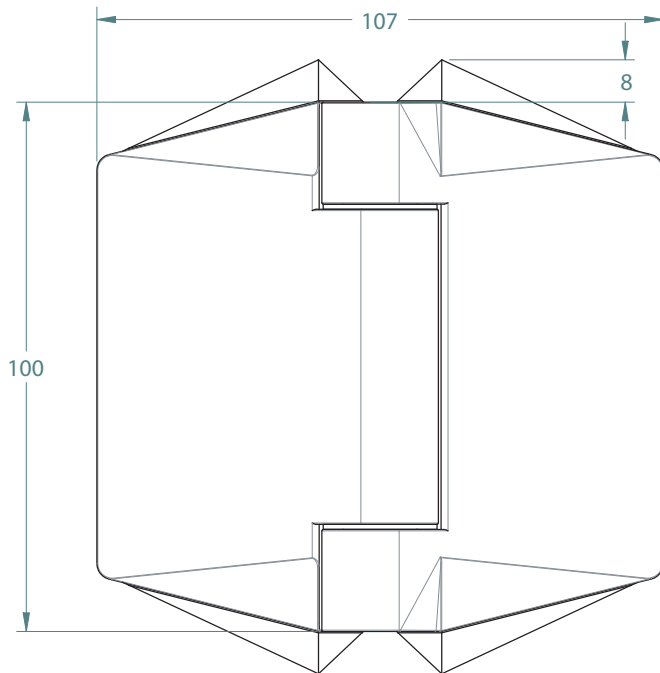
- SELF-CLOSING SAFETY HINGE FOR GLASS POOL FENCING
- TO BE USED WITH CHILD PROOF SAFETY LATCH
- COMPLIES WITH AUSTRALIAN STANDARDS FOR POOL GATE HARDWARE
- NATA ACCREDITED AND INDEPENDENTLY TESTED TO 10'000 CYCLES (NATA = NATIONAL ASSOCIATION OF TESTING AUTHORITIES AUSTRALIA)



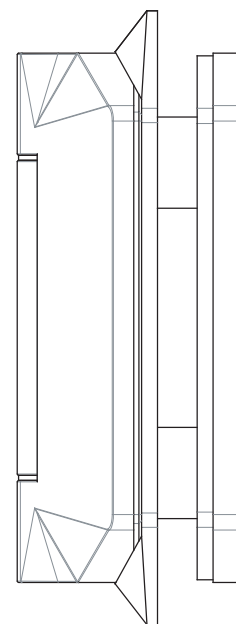
REAR VIEW



TOP VIEW



FRONT VIEW



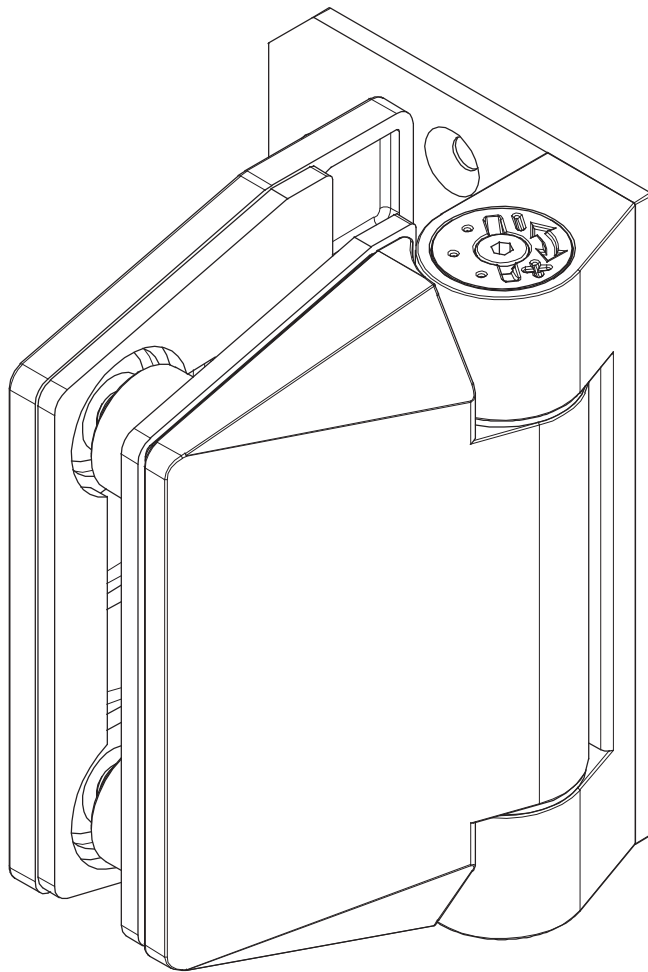
SIDE VIEW

TO ORDER SPECIFY:

- 120PGGP POLISHED FINISH
- 120PGGS BRUSHED FINISH
- 120PGGB BLACK FINISH

120 SERIES POOL HINGE

GLASS TO WALL



120 SERIES POOL HINGE

- SELF-CLOSING SAFETY HINGE FOR GLASS POOL FENCING
- TO BE USED WITH CHILD PROOF SAFETY LATCH
- COMPLIES WITH AUSTRALIAN STANDARDS FOR POOL GATE HARDWARE
- NATA ACCREDITED AND INDEPENDENTLY TESTED TO 10'000 CYCLES (NATA = NATIONAL ASSOCIATION OF TESTING AUTHORITIES AUSTRALIA)

FINISHES AND FUNCTIONS

- 2205 GRADE STAINLESS STEEL
- POLISHED STAINLESS
- BRUSHED STAINLESS
- MATT BLACK
- SINGLE ACTION
- SOFT CLOSE
- NON-HOLD OPEN
- ANTI-FOOT-HOLD GASKET



10mm
12mm



MAX.
900mm WIDE x
1500mm HIGH



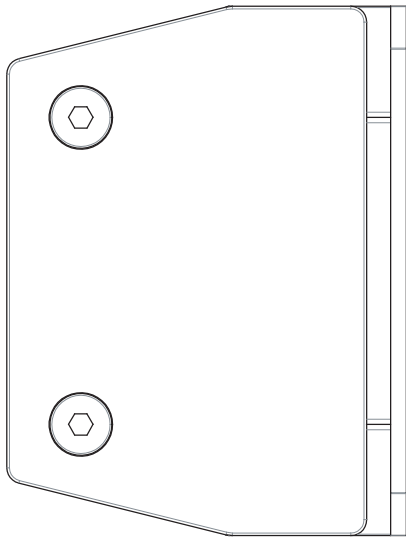
MAX 45kg



- 10°C
+ 50°C



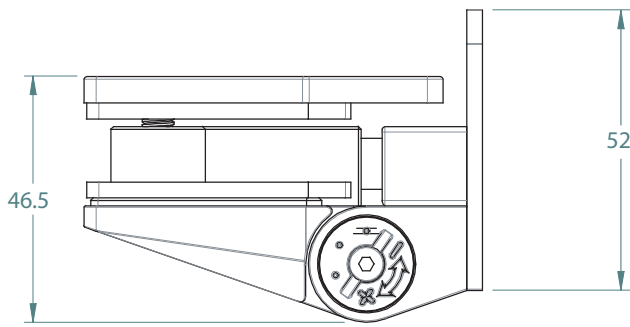
90°



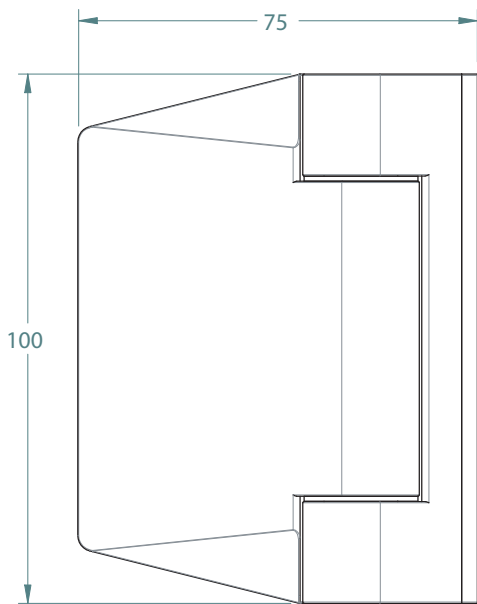
REAR VIEW

TO ORDER SPECIFY:

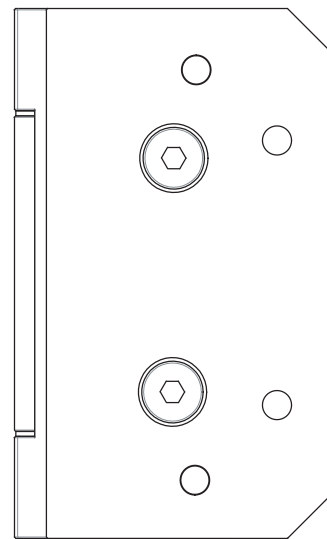
- 120PGWP POLISHED FINISH
- 120PGWS BRUSHED FINISH
- 120PGWB BLACK FINISH



TOP VIEW



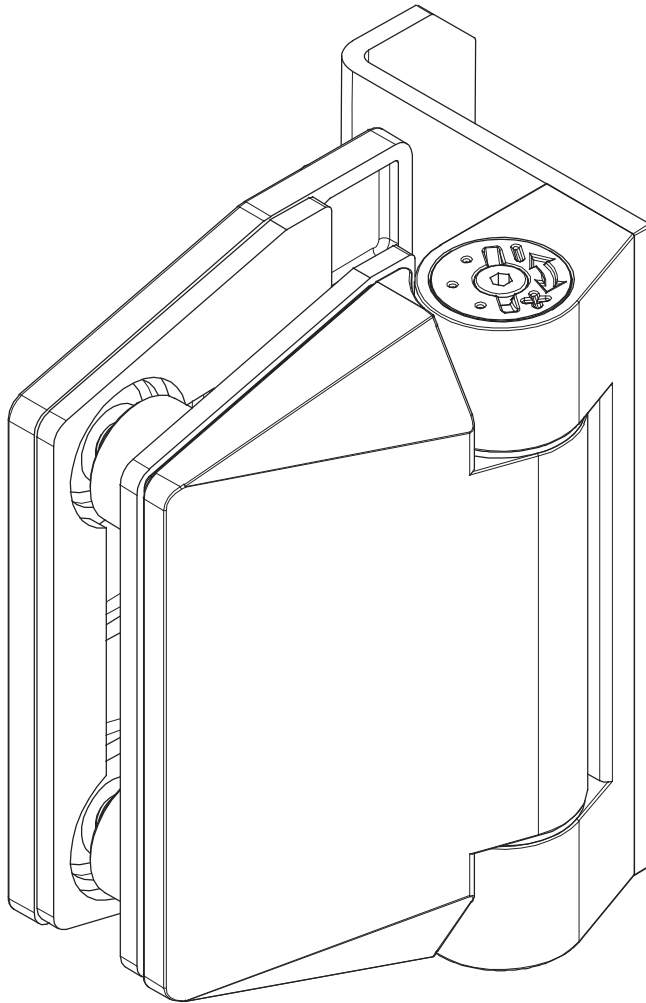
FRONT VIEW



SIDE VIEW

120 SERIES POOL HINGE

GLASS TO WALL



120 SERIES POOL HINGE

- SELF-CLOSING SAFETY HINGE FOR GLASS POOL FENCING
- TO BE USED WITH CHILD PROOF SAFETY LATCH
- COMPLIES WITH AUSTRALIAN STANDARDS FOR POOL GATE HARDWARE
- NATA ACCREDITED AND INDEPENDENTLY TESTED TO 10'000 CYCLES (NATA = NATIONAL ASSOCIATION OF TESTING AUTHORITIES AUSTRALIA)

FINISHES AND FUNCTIONS

- 2205 GRADE STAINLESS STEEL
- POLISHED STAINLESS
- BRUSHED STAINLESS
- MATT BLACK
- SINGLE ACTION
- SOFT CLOSE
- NON-HOLD OPEN
- ANTI-FOOT-HOLD GASKET



10mm
12mm



MAX.
900mm WIDE x
1500mm HIGH



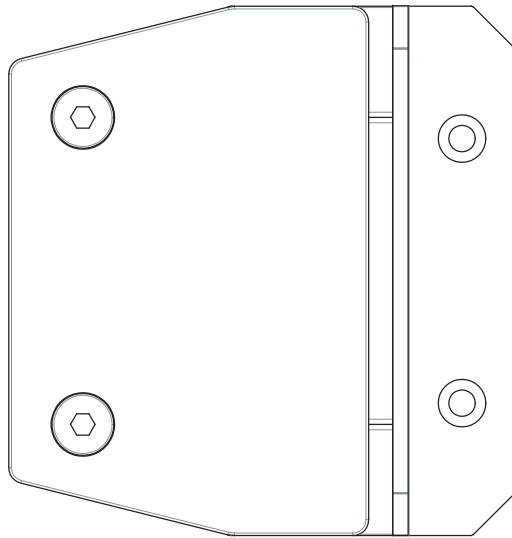
MAX 45kg



- 10°C
+ 50°C



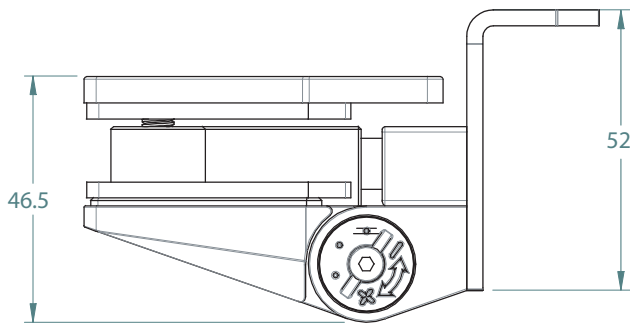
90°



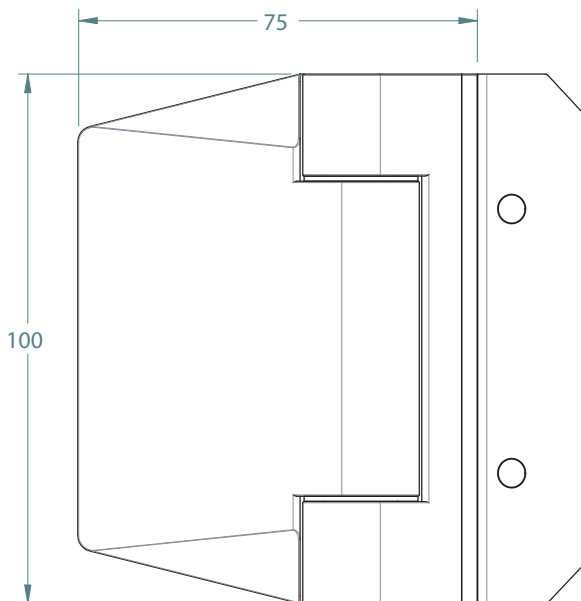
REAR VIEW

TO ORDER SPECIFY:

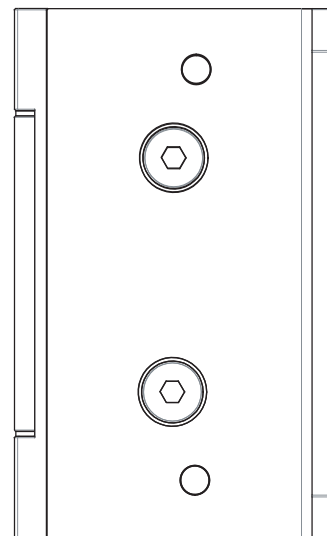
- 120PGWP POLISHED FINISH
- 120PGWS BRUSHED FINISH
- 120PGWB BLACK FINISH



TOP VIEW



FRONT VIEW

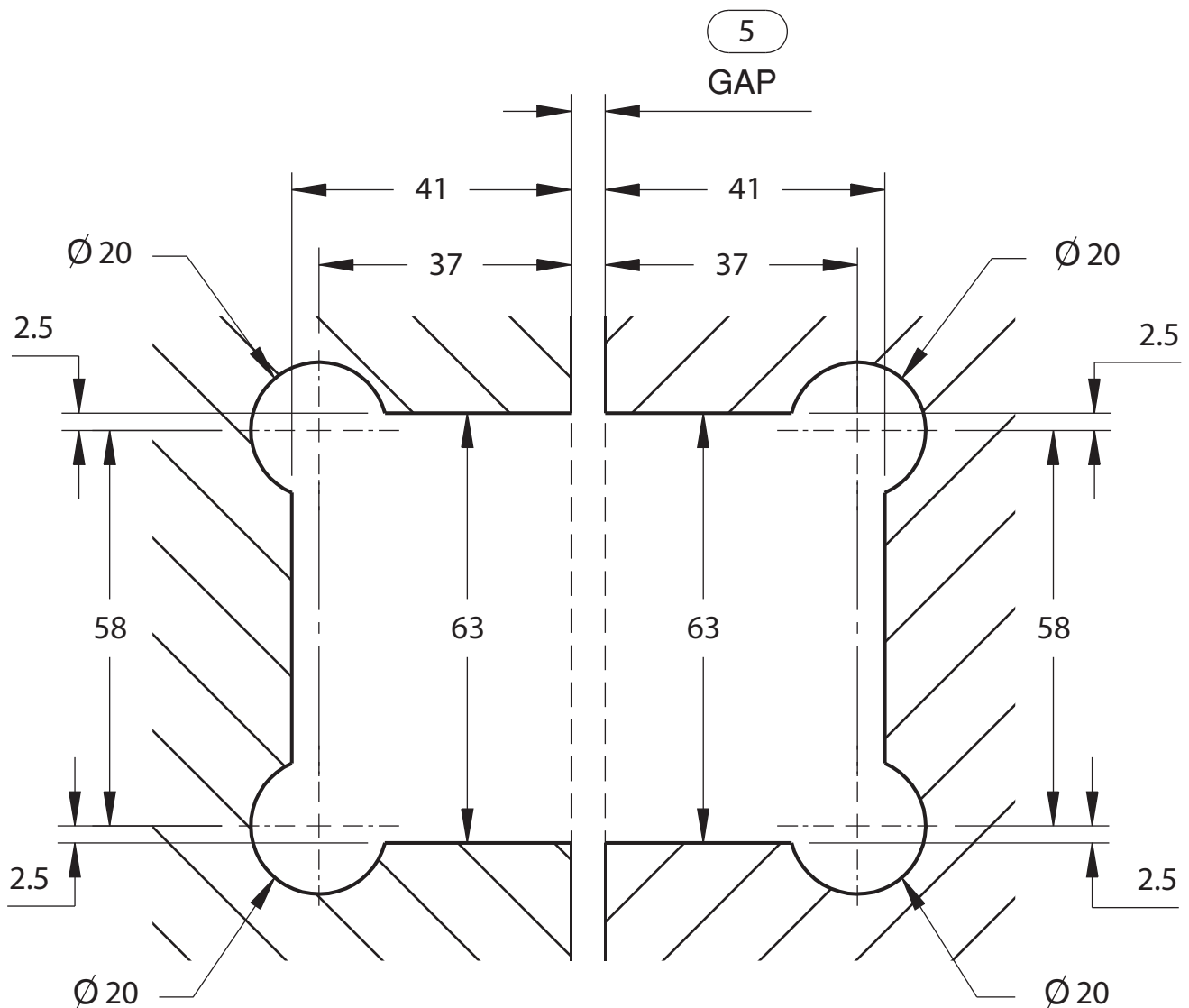


SIDE VIEW

GLASS PREPARATION

120, 220 & 320 SERIES HINGE

GLASS TO GLASS

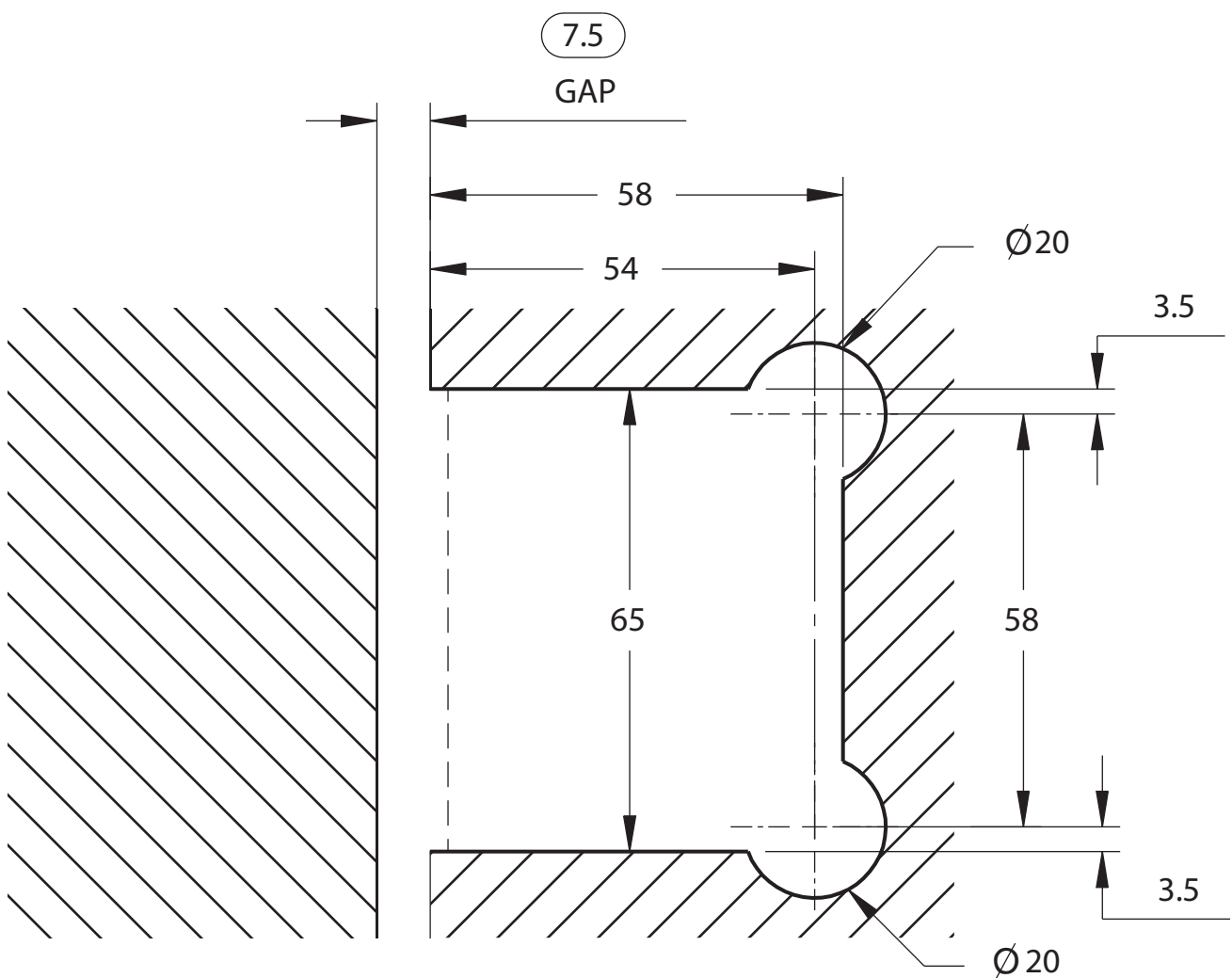


GLASS CUT-OUT TOP AND BOTTOM
(ALL DIMENSIONS IN MILLIMETERS)

GLASS PREPARATION

120, 220 & 320 SERIES HINGE

GLASS TO WALL/POST



GLASS CUT-OUT TOP AND BOTTOM
(ALL DIMENSIONS IN MILLIMETERS)

GLASS HARDWARE AUSTRALIA

2A/172 SILVERWATER ROAD
SILVERWATER NSW 2128
AUSTRALIA

MORE PRODUCTS TO BE AVAILABLE SOON
PLEASE, CHECK OUR WEBSITE FOR MORE INFORMATION
www.polarishinge.com.au
