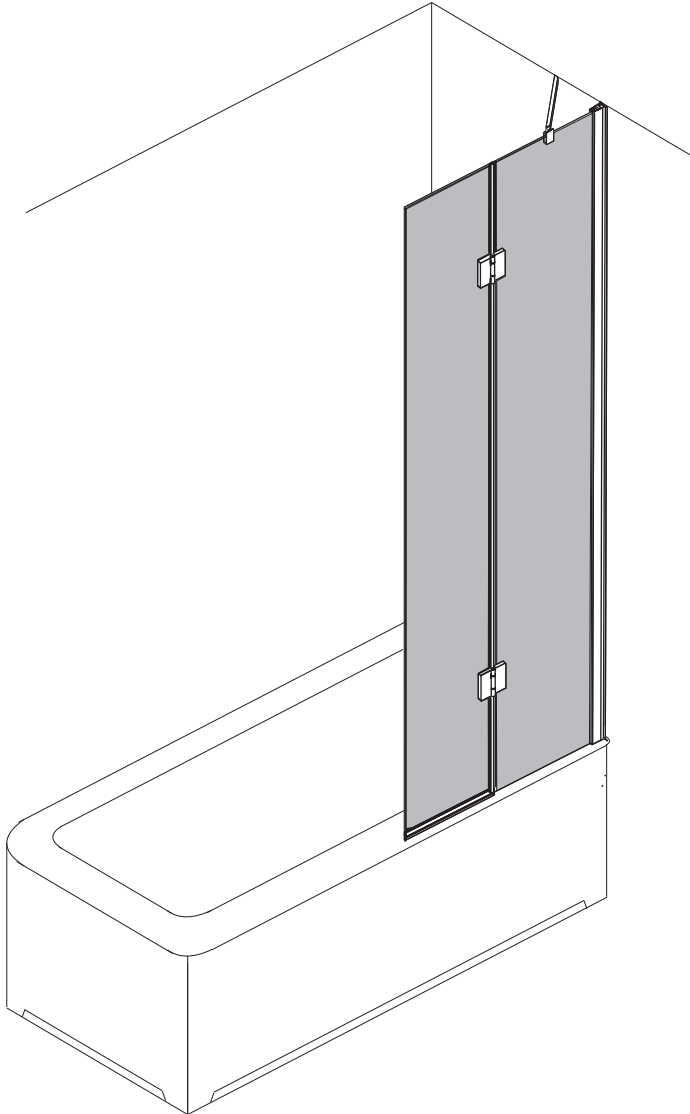
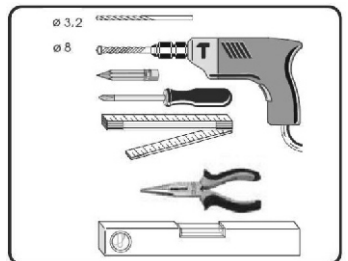
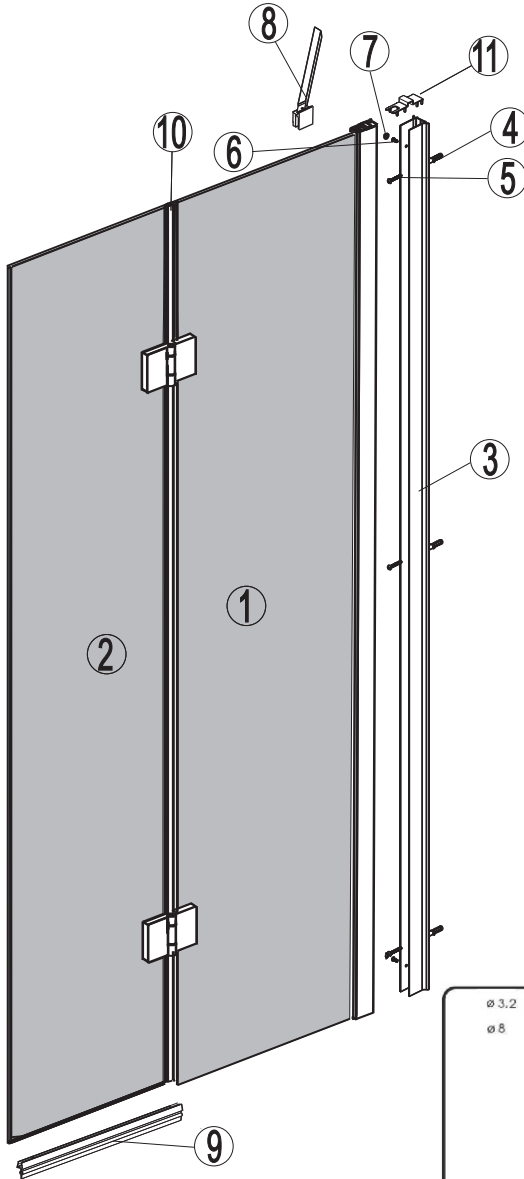
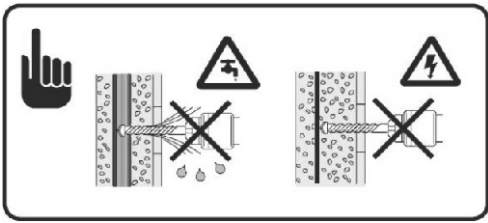




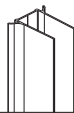


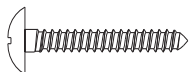
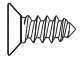








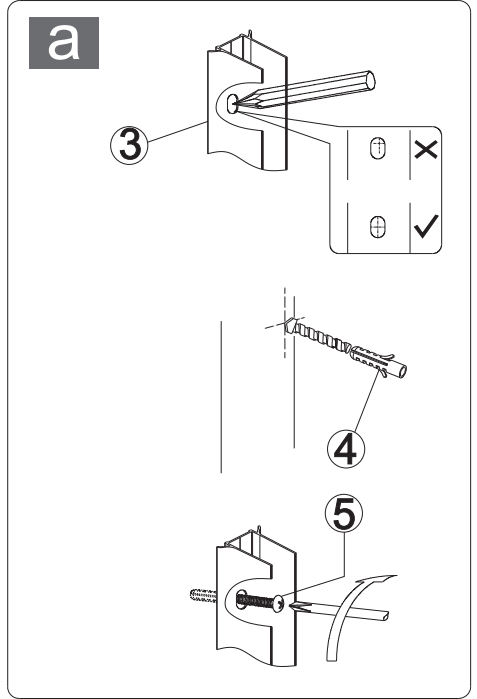
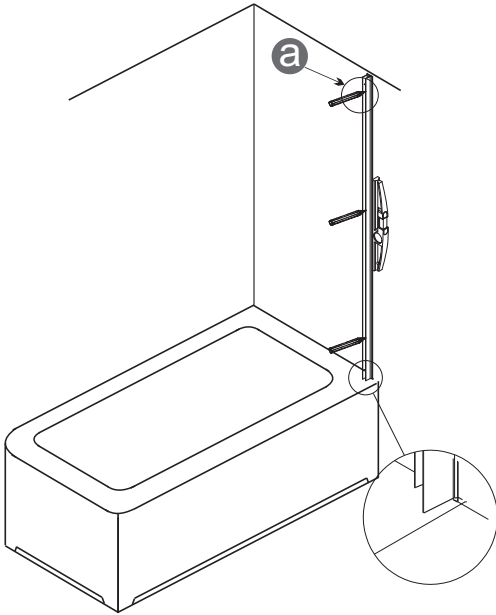
## Carla : Over Bath Screen Instalation Guide



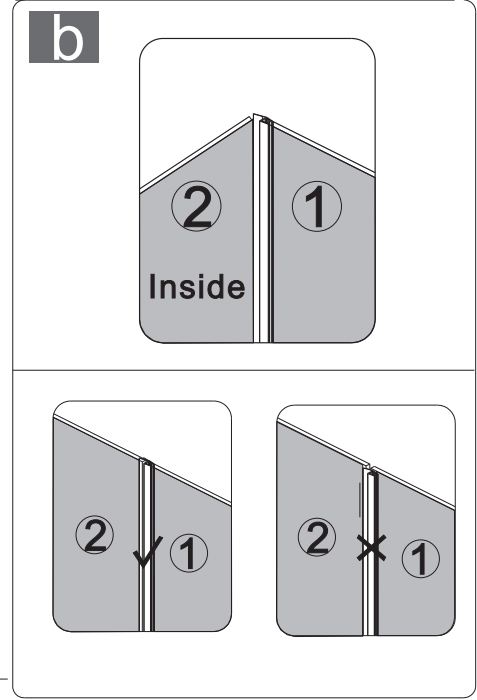
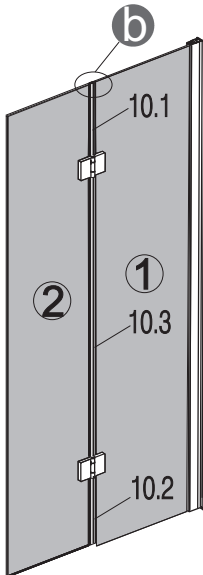


NO.	Designation	Pieces	NO.	Designation	Pieces
1		x 1	11		x 1
2		x 1		 $\phi 8$	
3		x 1		 $\phi 3.2$	
4	 $\phi 8$	x 4			
5	 $\phi 8$ ST4X35	x 4			
6	 $\phi 8$ ST4X10	x 3			
7		x 3			
8		x 1			
9		x 1			
10	 10.1  10.2  10.3	x 1			

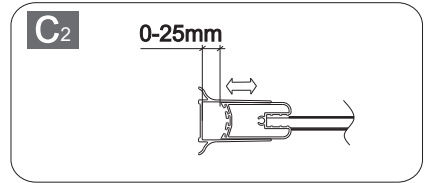
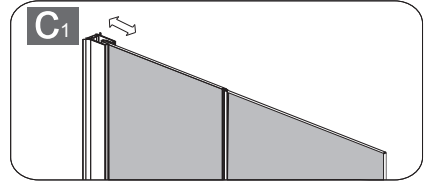
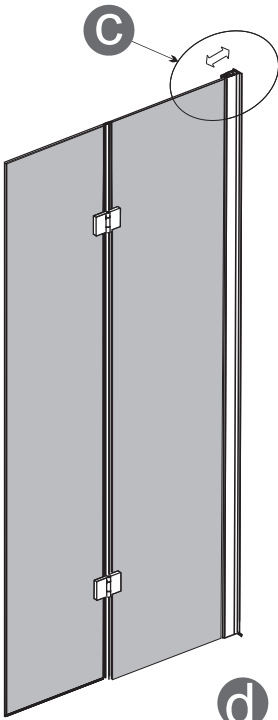
1.



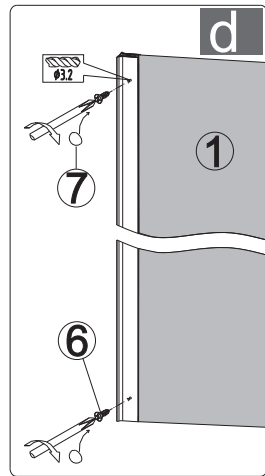
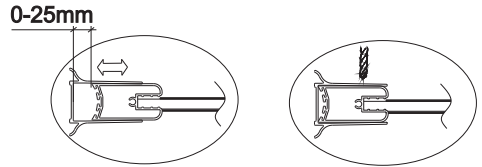
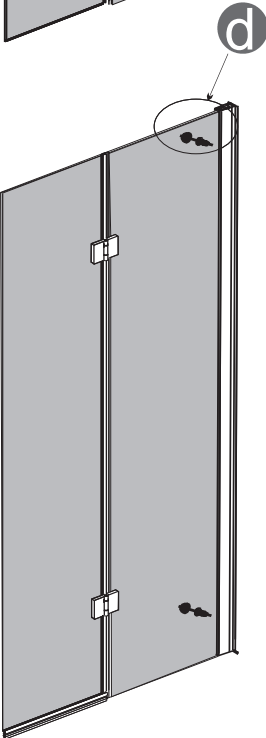
2.



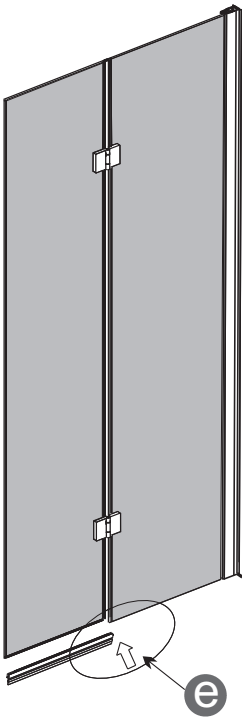
3.



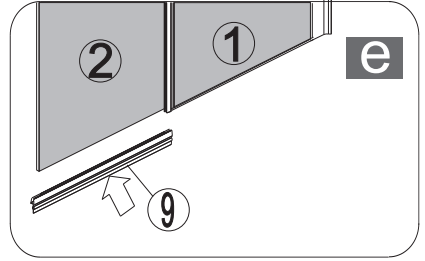
4.



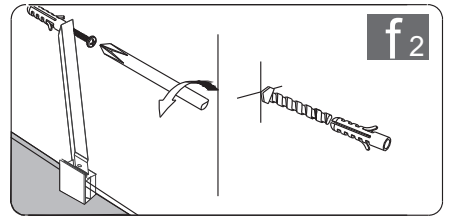
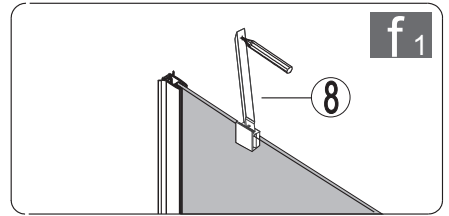
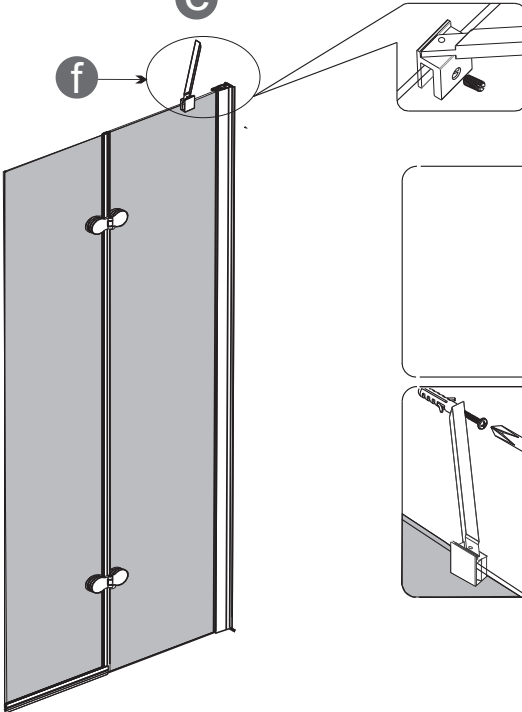
5.



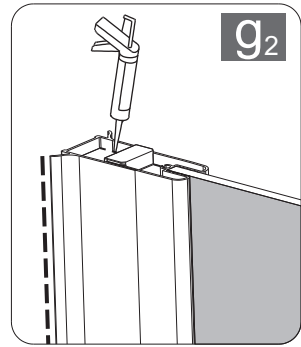
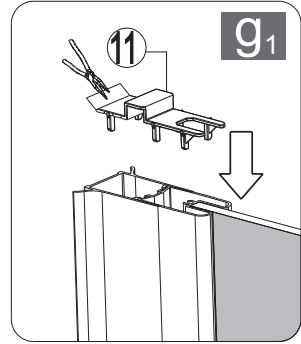
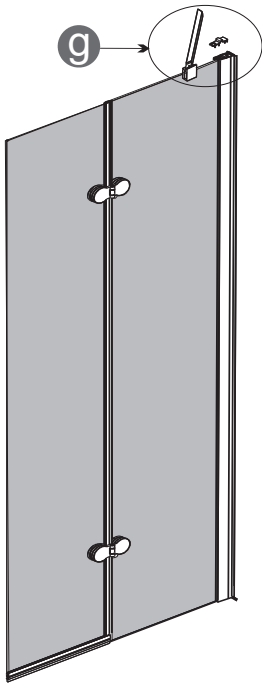
frameless **direct** **f**



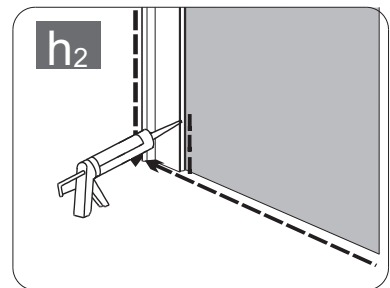
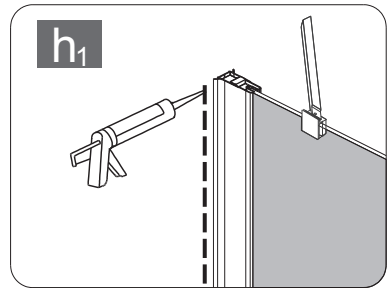
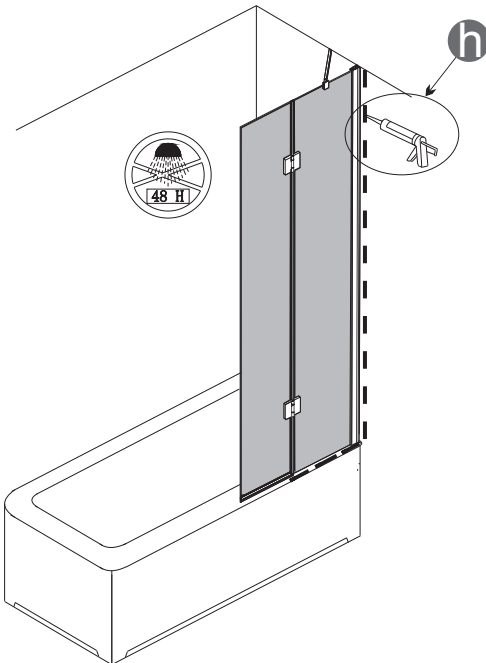
6.



7.



8.



9.

