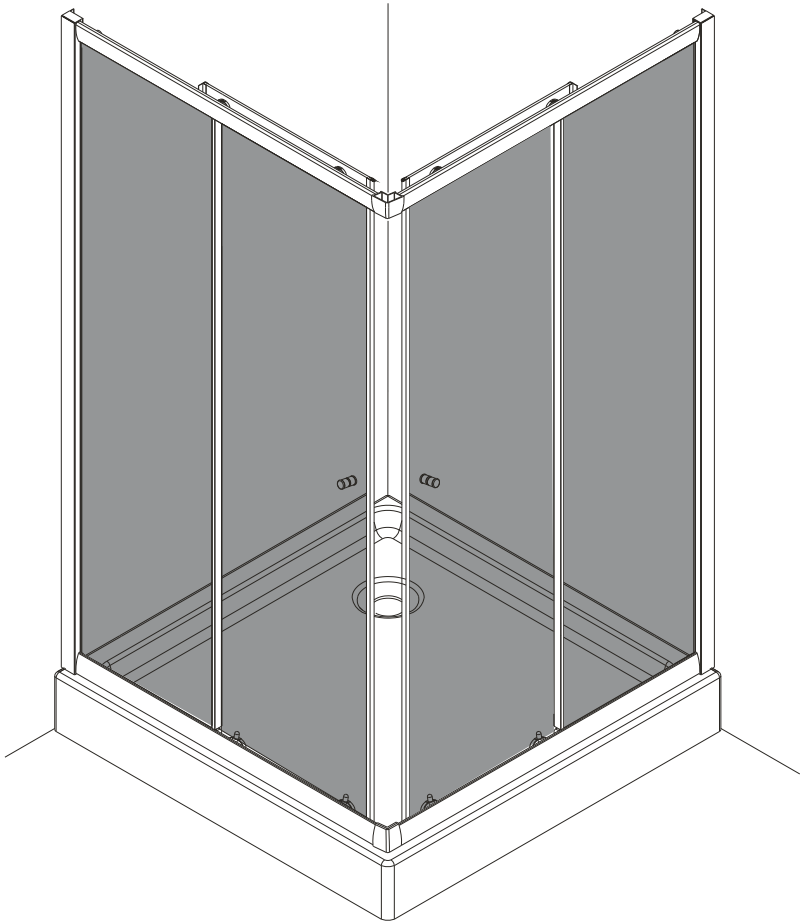
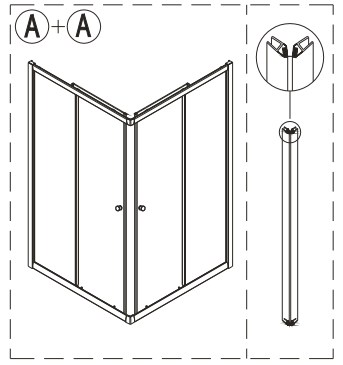
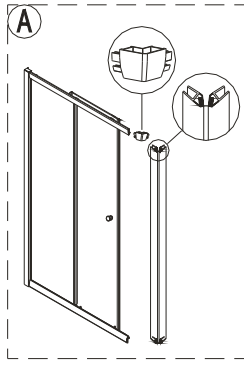
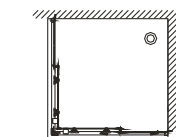
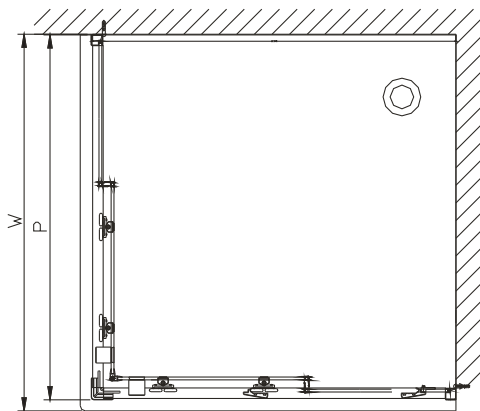
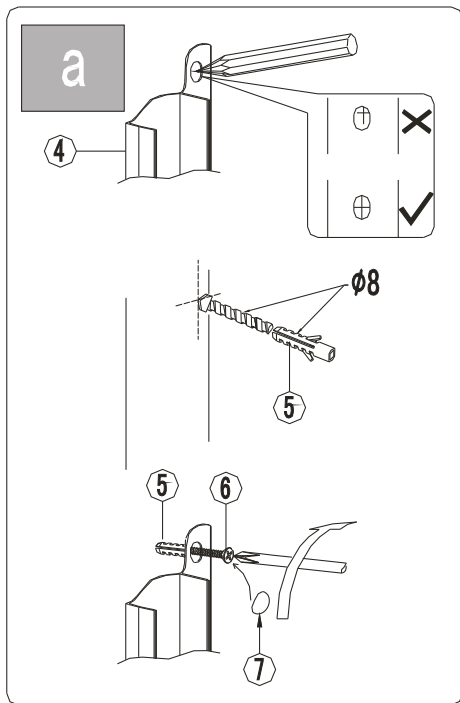
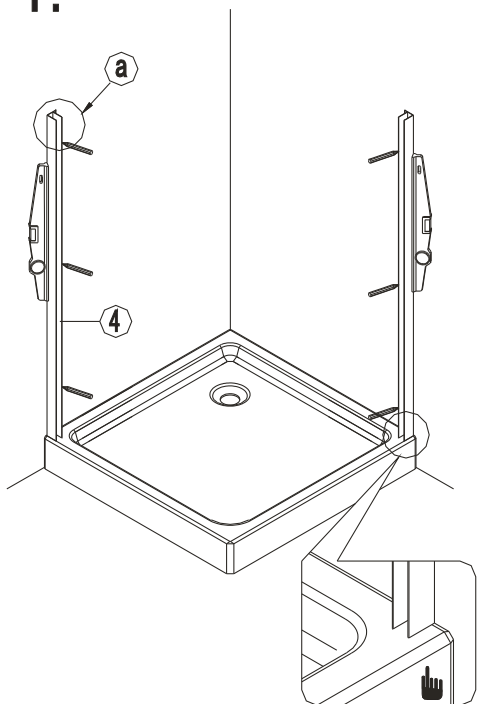


+



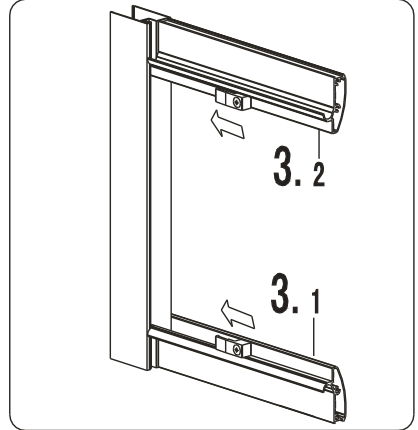
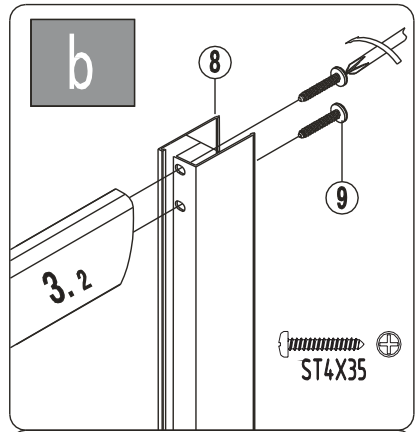
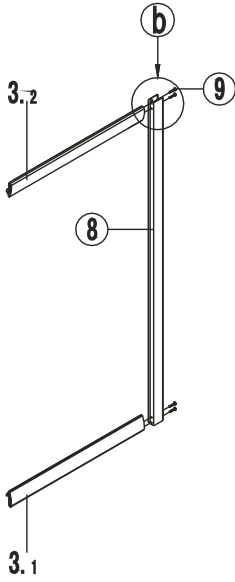
NO.	Designation	Pieces	NO.	Designation	Pieces
3.1		X2	14		X2
3.2		X2		15	A.1
1		X2	A.2		X4
2		X2	A.3		X2
3.2		X2	A.4		X2
4		X2	B.1		X2
5	$\phi 8$	X7	B.2		X2
6	\oplus ST4X35	X7	C.1		X2
7		X11	C.2		X4
8		X2	C.3		X4
9	\oplus ST4X35	X9	C.4		X8
10		X2	C.5	X2	
11	\oplus ST4X10	X5	C.6	X2	
12		X4	D.1	X4	
13.1	M4X12	X8	D.2	X4	
13.2		X16	D.3	X2	
13.3		X8	D.4	X8	
13.4		X4	D.5	X4	
13.5		X4	D.6	X2	
			16.1		X1
			16.2		X1
			17		X8
			18	\oplus ST4X10	X17
				$\phi 8$	
				$\phi 3.2$	

1.

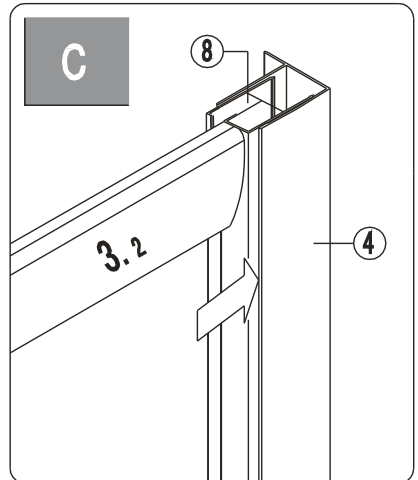
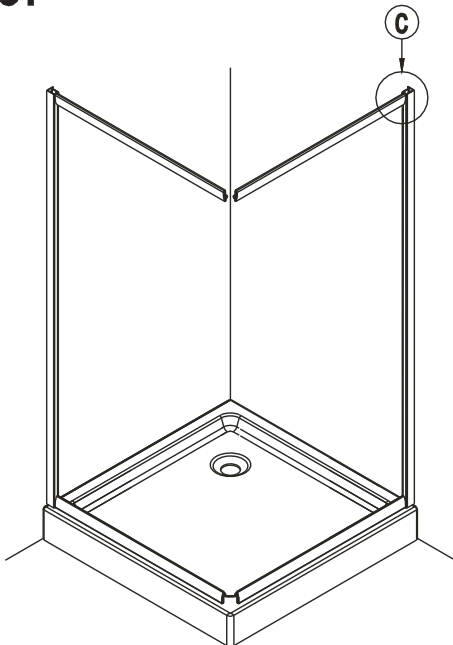


	P	W
765	765-790	800
865	865-890	900

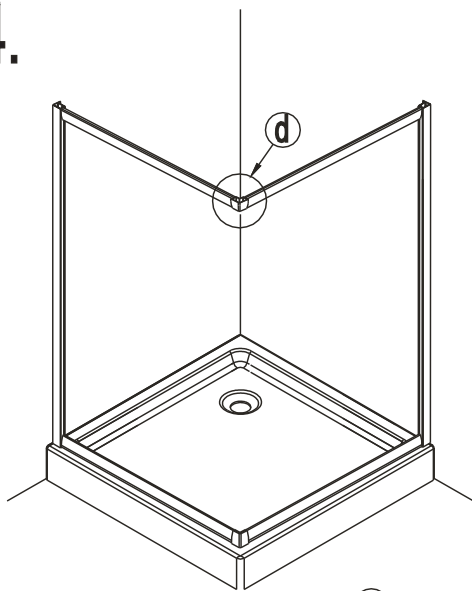
2.



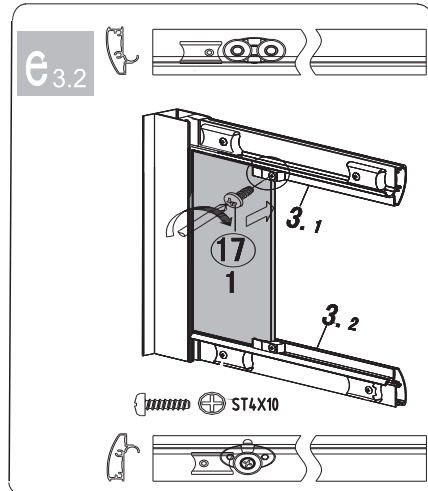
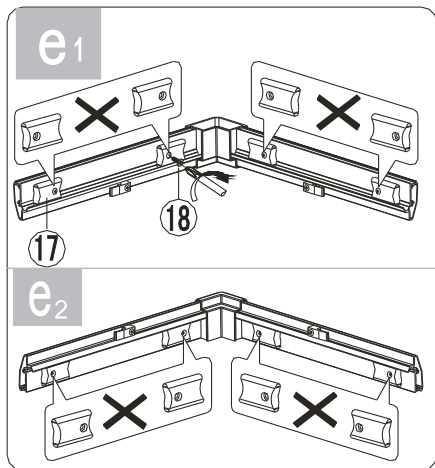
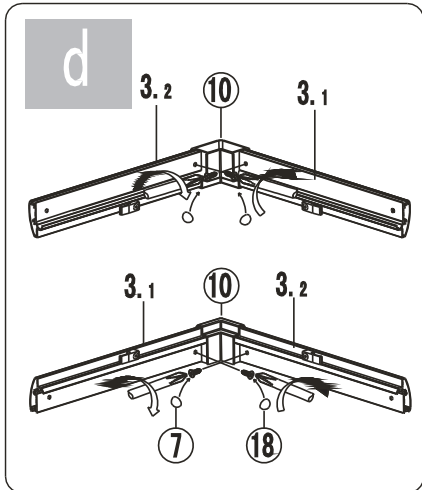
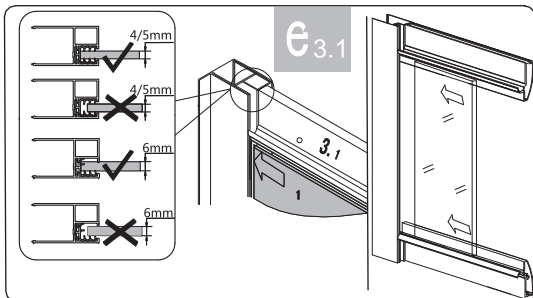
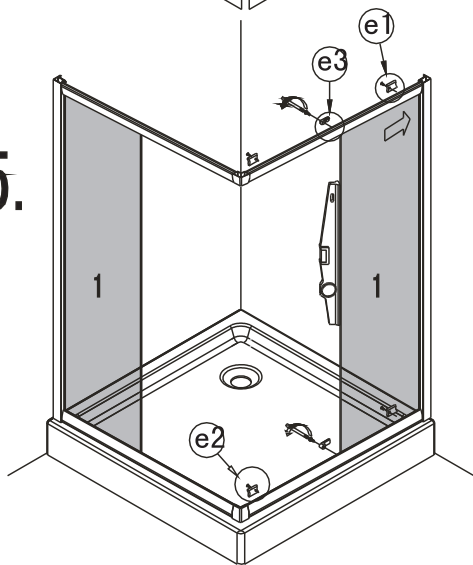
3.



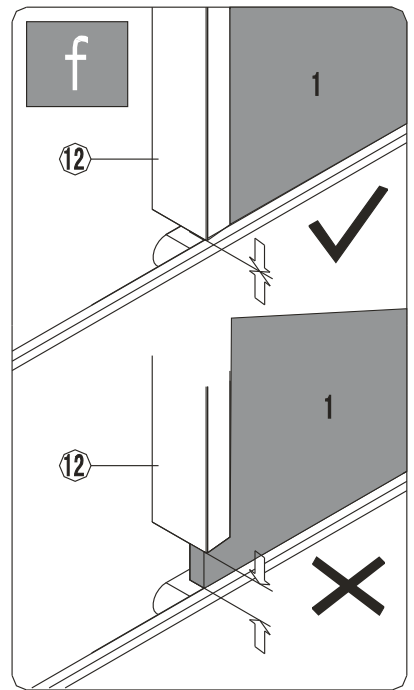
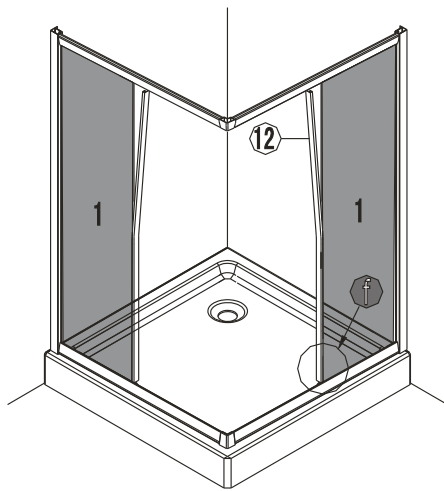
4.



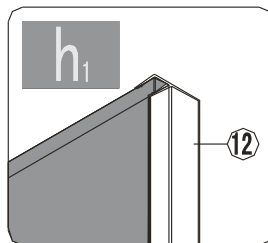
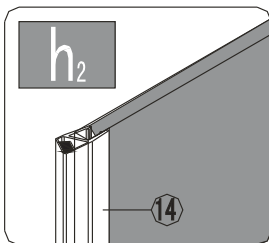
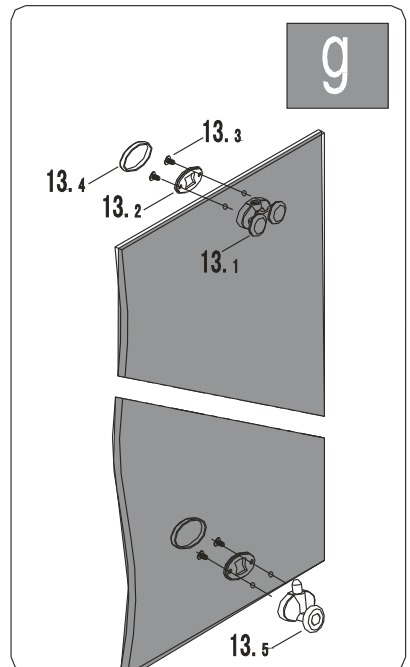
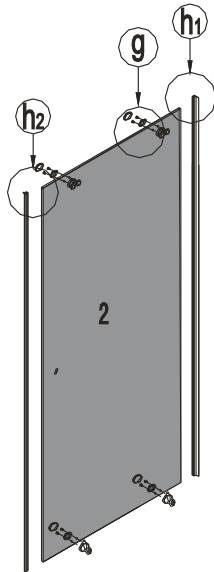
5.



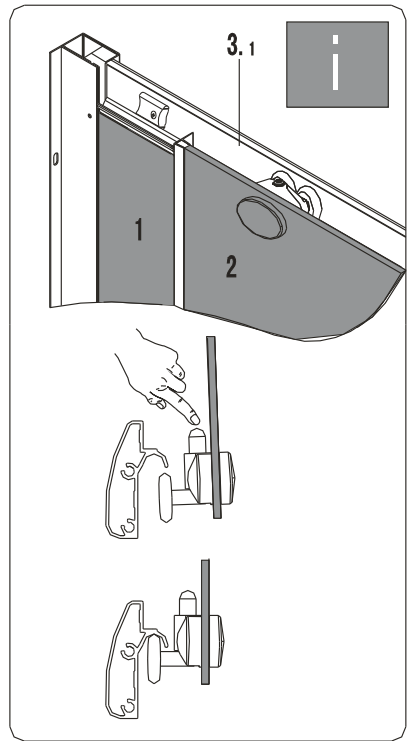
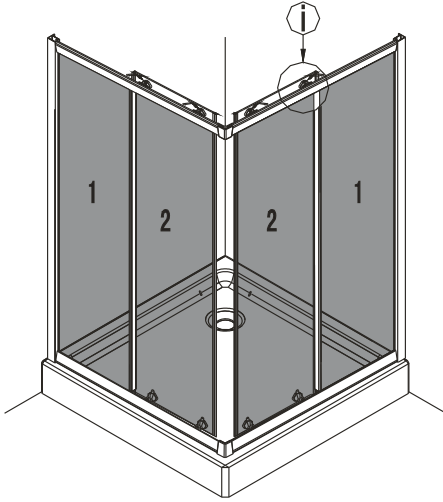
6.



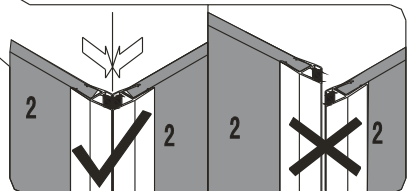
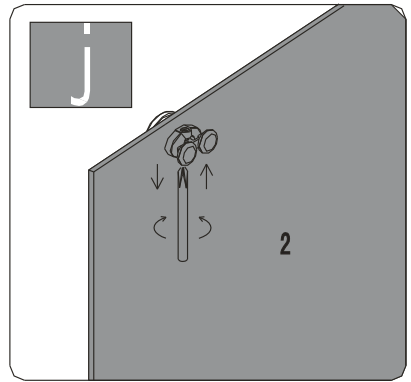
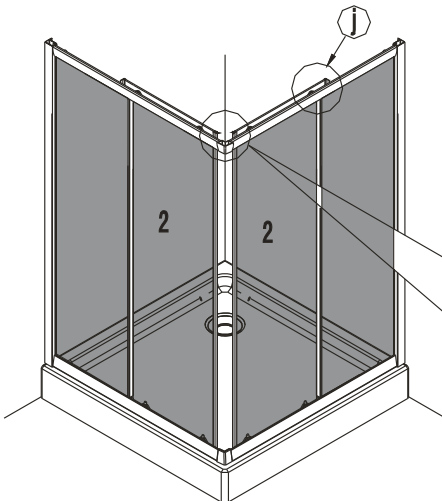
7.



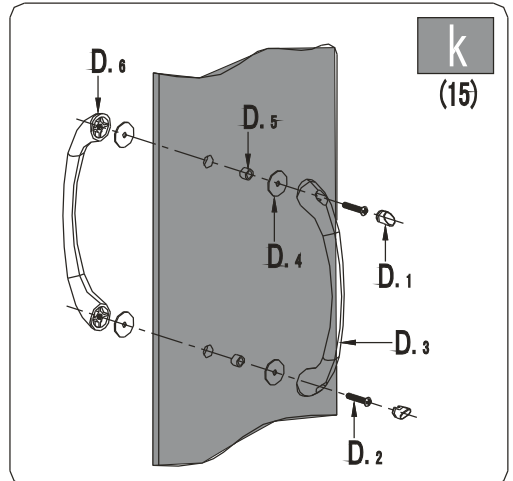
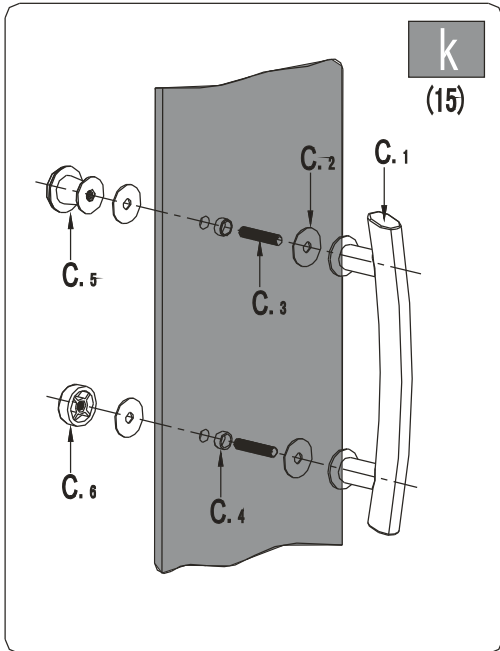
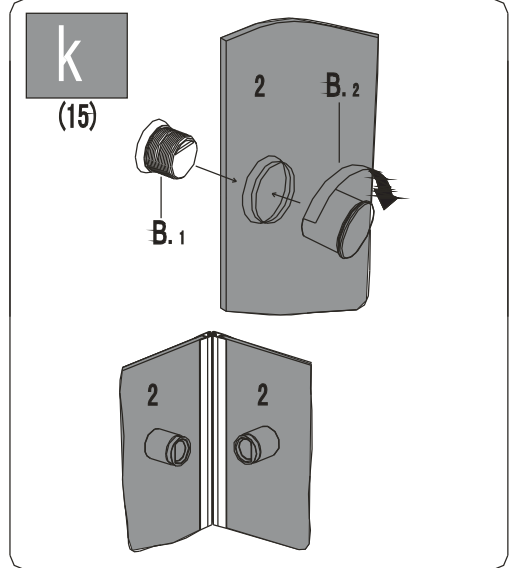
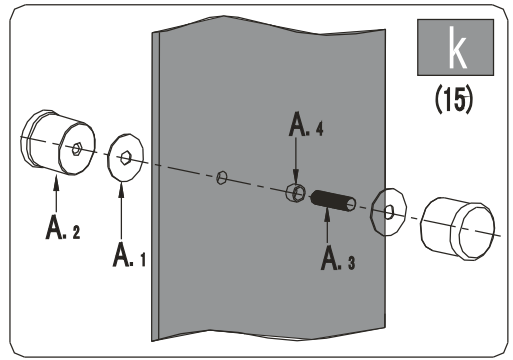
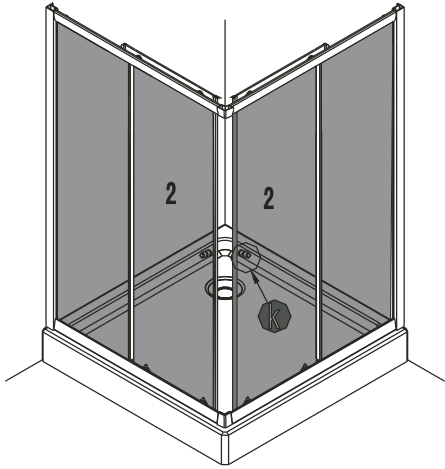
8.



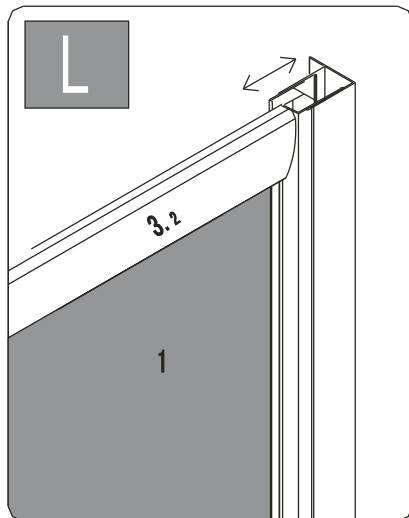
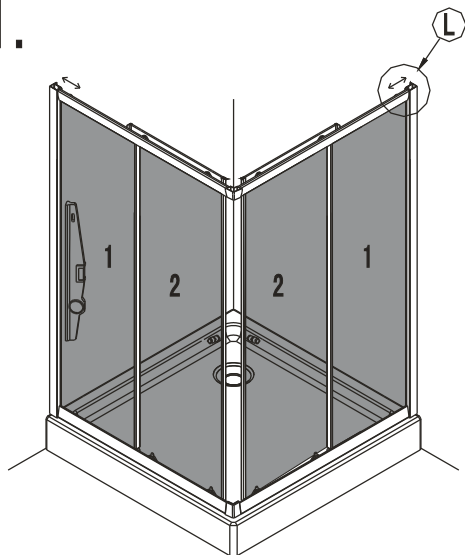
9.



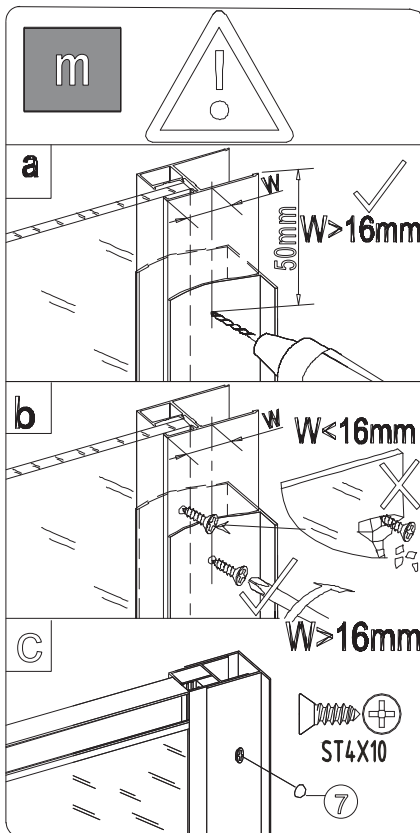
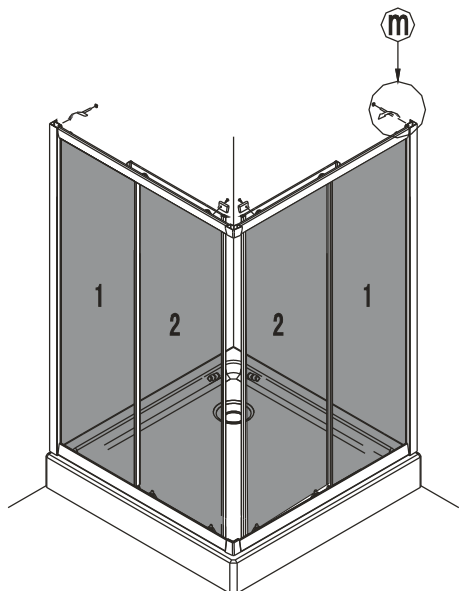
10.



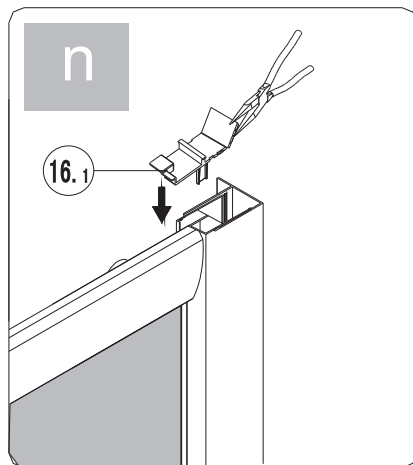
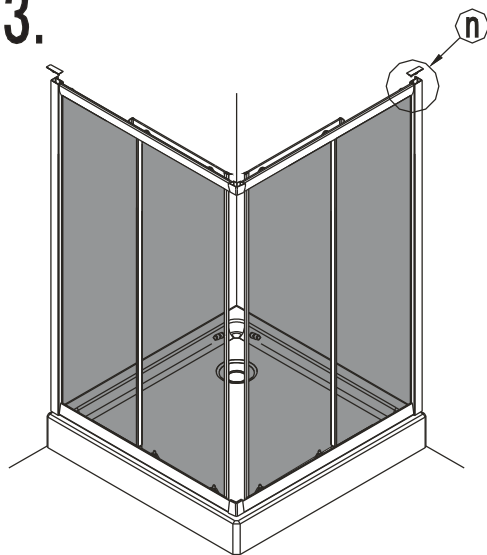
11.



12.



13.



14.

