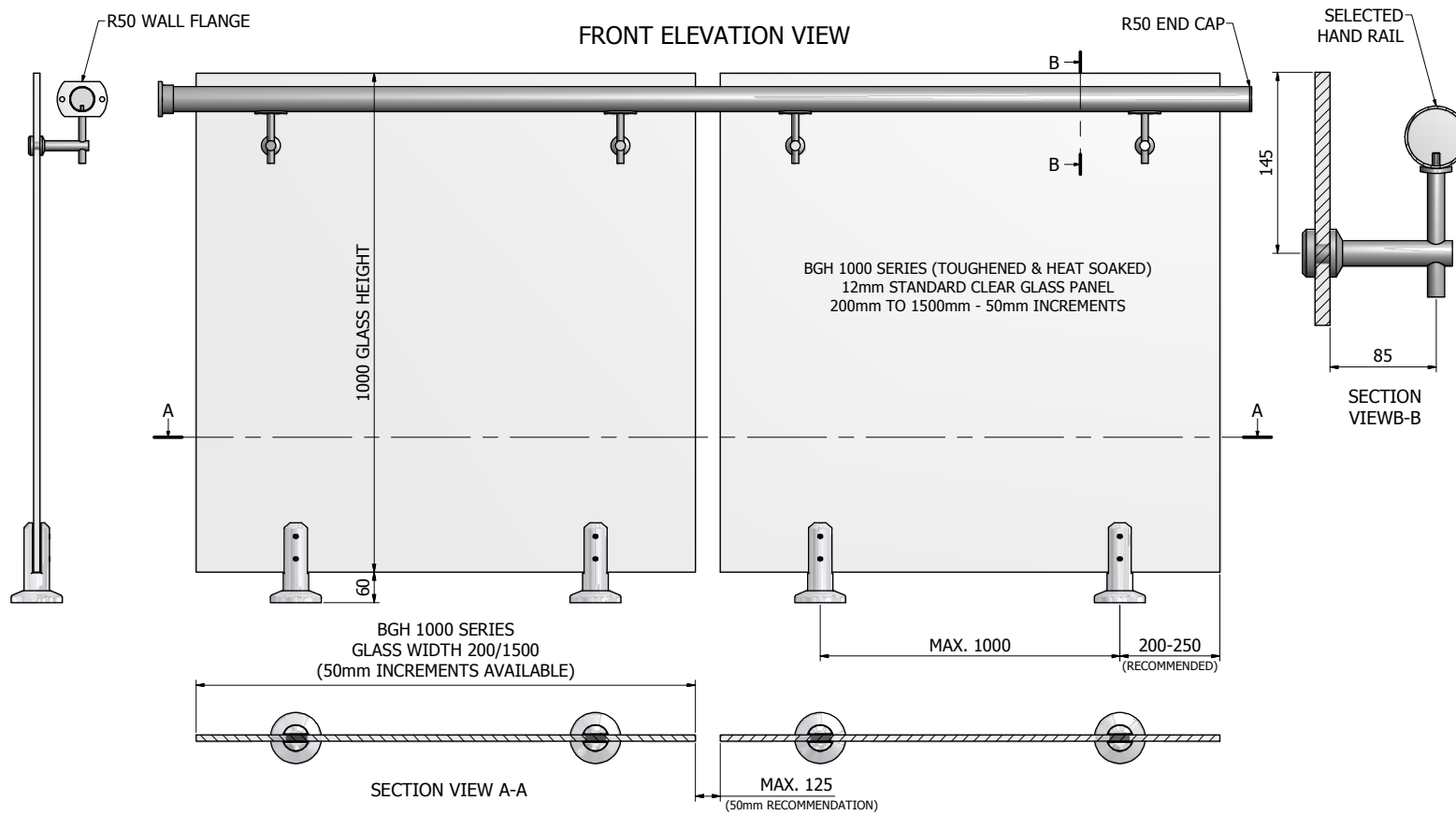




MINI POST SERIES—SIDE FIX HAND RAIL
BALUSTRADE SYSTEM

INSTALLATION GUIDE

PRODUCT CODE: MPH-SFH



PRODUCT CODE:
MPH-SFH

PRODUCT TYPE:
MINI POST SERIES - SIDE FIX HAND RAIL

AVAILABLE FINISHES:
- SATIN
- POLISHED

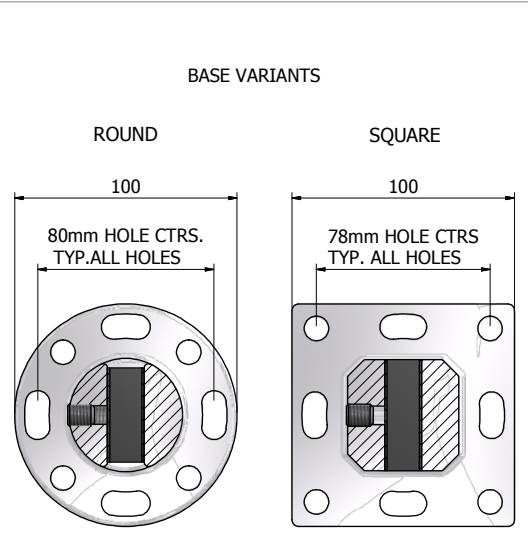
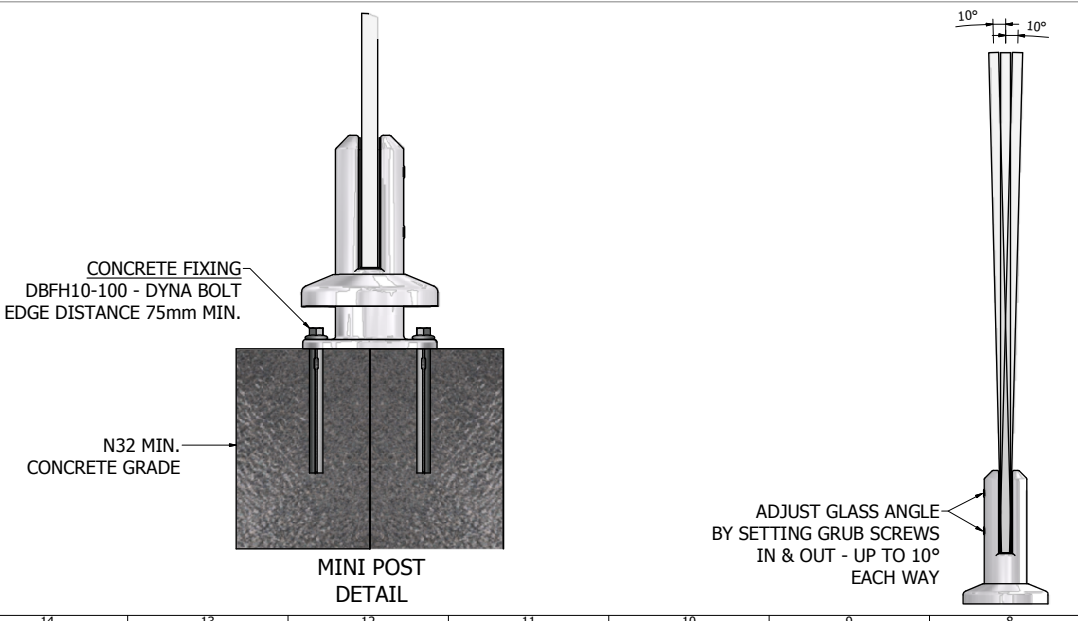
AUSTRALIAN STANDARDS:
REGULATION No. AS2088 - A GRADE TOUGHENED GLASS
COMPLIES TO AS1170.1-2002 SUBSECTION 3.6 BARRIERS
TABLE 3.3 - MINIMUM IMPOSED ACTIONS FOR BARRIERS
TESTED AT 750 N m

GLASS:
BGH 1000 SERIES
12mm CLEAR TOUGHENED
WIDTHS AVAILABLE FROM 200mm TO 1500mm
(IN 50mm INCREMENTS)

HANDRAIL:
- TSR-50 RAIL

POSTS
- ENC RNB - ROUND POST
- ENC SQB - SQUARE POST

RECOMMENDED BASE FIXINGS
- BASE PLATE - ON CONCRETE
M10 x 100mm STAINLESS ALLTHREAD & NUT
CHEMSET CHEMICAL ANCHOR
OR 10mm x 100mm STAINLESS STEEL DYNA BOLT



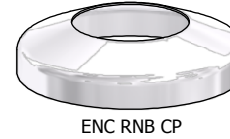
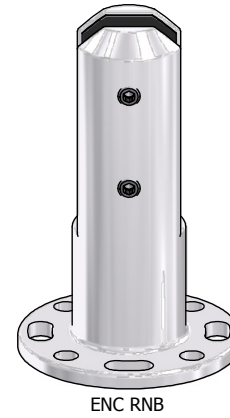
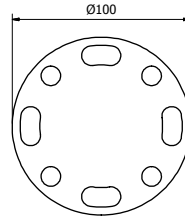
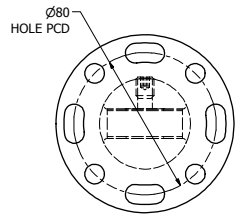
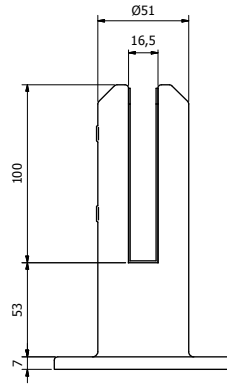
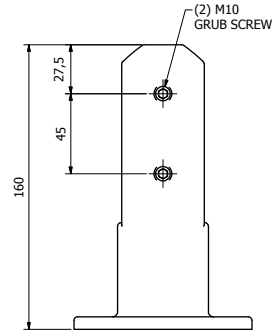
frameless
direct
architectural glass and hardware

21 ENCORE AVENUE, SOMERTON, VICTORIA AUSTRALIA 3062

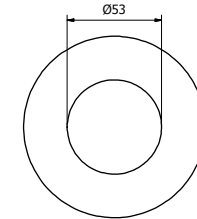
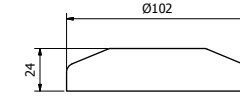
WEBSITE: www.framelessdirect.com.au
EMAIL: sales@framelessdirect.com.au

TEL: 03 9303 9008
FAX: 03 8339 2425

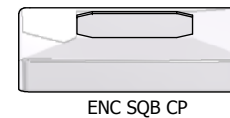
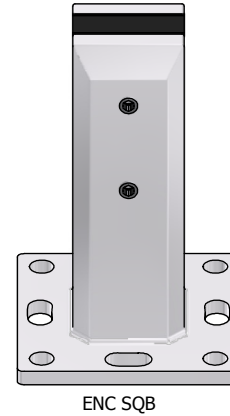
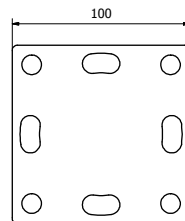
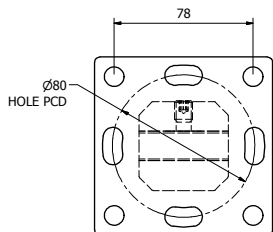
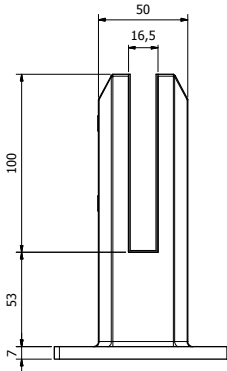
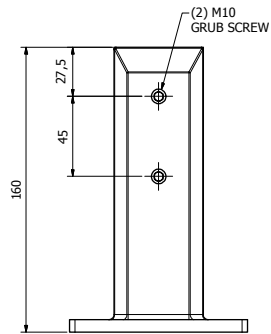
STANDARD BASE PLATE SPIGOT - **ROUND**



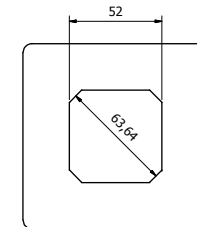
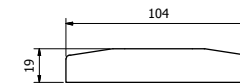
CODE	DESCRIPTION
ENC RNB	MINI POST ROUND BASE PLATE - Ø51/150mm
ENC RNB CP	MINI POST ROUND BASE PLATE COVER PLATE



STANDARD BASE PLATE SPIGOT - **SQUARE**

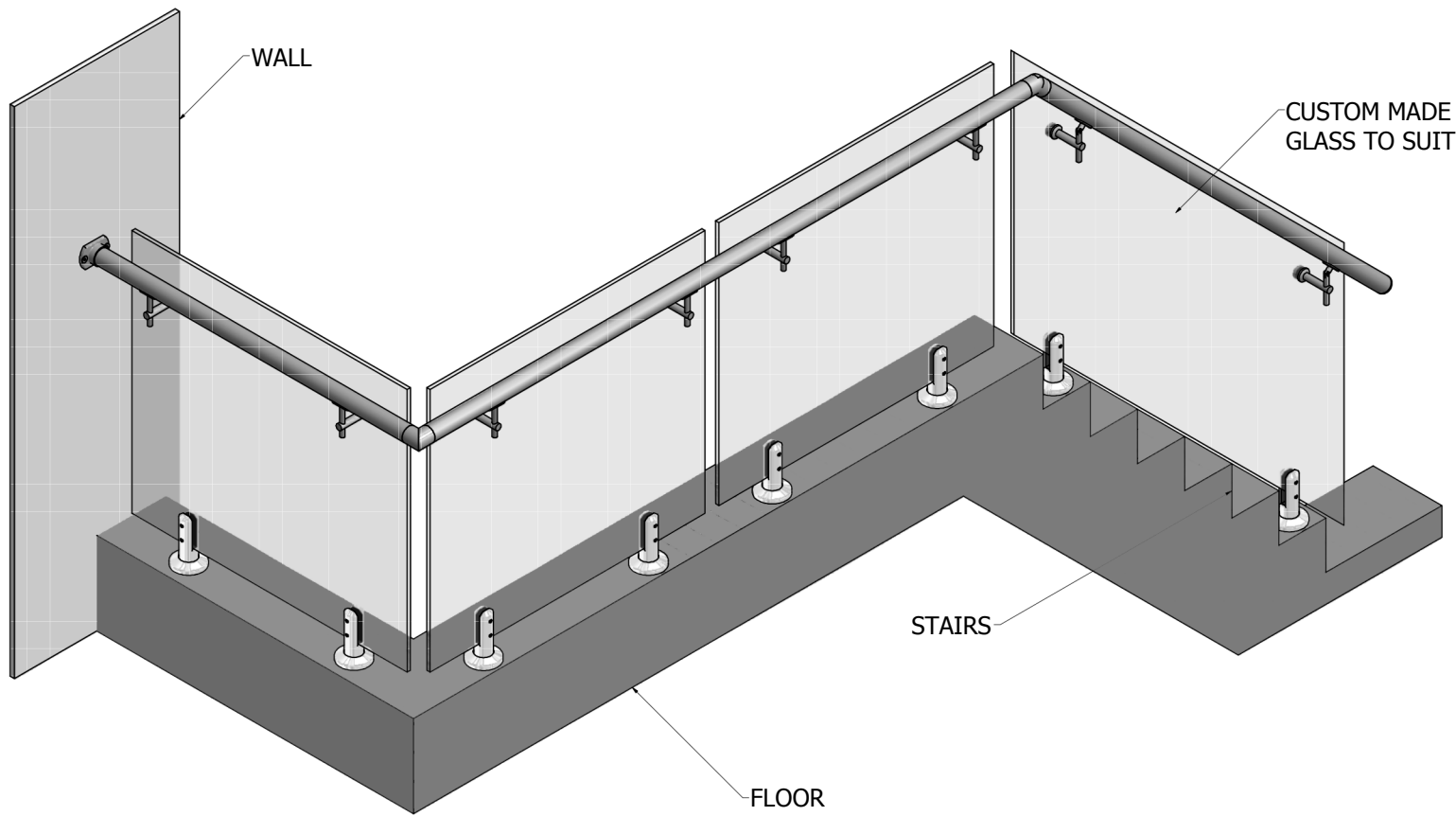


CODE	DESCRIPTION
ENC SQB	MINI POST SQUARE BASE PLATE - 50/150mm
ENC SQB CP	MINI POST SQUARE BASE PLATE COVER RING



21 ENCORE AVENUE, SOMERTON, VICTORIA AUSTRALIA 3062
 WEBSITE: www.framelessdirect.com.au TEL: 03 9303 9008
 EMAIL: sales@framelessdirect.com.au FAX: 03 8339 2425





INSIDE VIEW

PRODUCT CODE:
MPH-SFH

PRODUCT TYPE:
MINI POST SERIES - SIDE FIX HAND RAIL

AVAILABLE FINISHES:
- SATIN
- POLISHED

AUSTRALIAN STANDARDS:
REGULATION No. AS2088 - A GRADE TOUGHENED GLASS
COMPLIES TO AS1170.1-2002 SUBSECTION 3.6 BARRIERS
TABLE 3.3 - MINIMUM IMPOSED ACTIONS FOR BARRIERS
TESTED AT 750 N m

GLASS:
BGH 1000 SERIES
12mm CLEAR TOUGHENED
WIDTHS AVAILABLE FROM 200mm TO 1500mm
(IN 50mm INCREMENTS)

HANDRAIL:
- TSR-50 RAIL

POSTS
- ENC RNB - ROUND POST
- ENC SQB - SQUARE POST

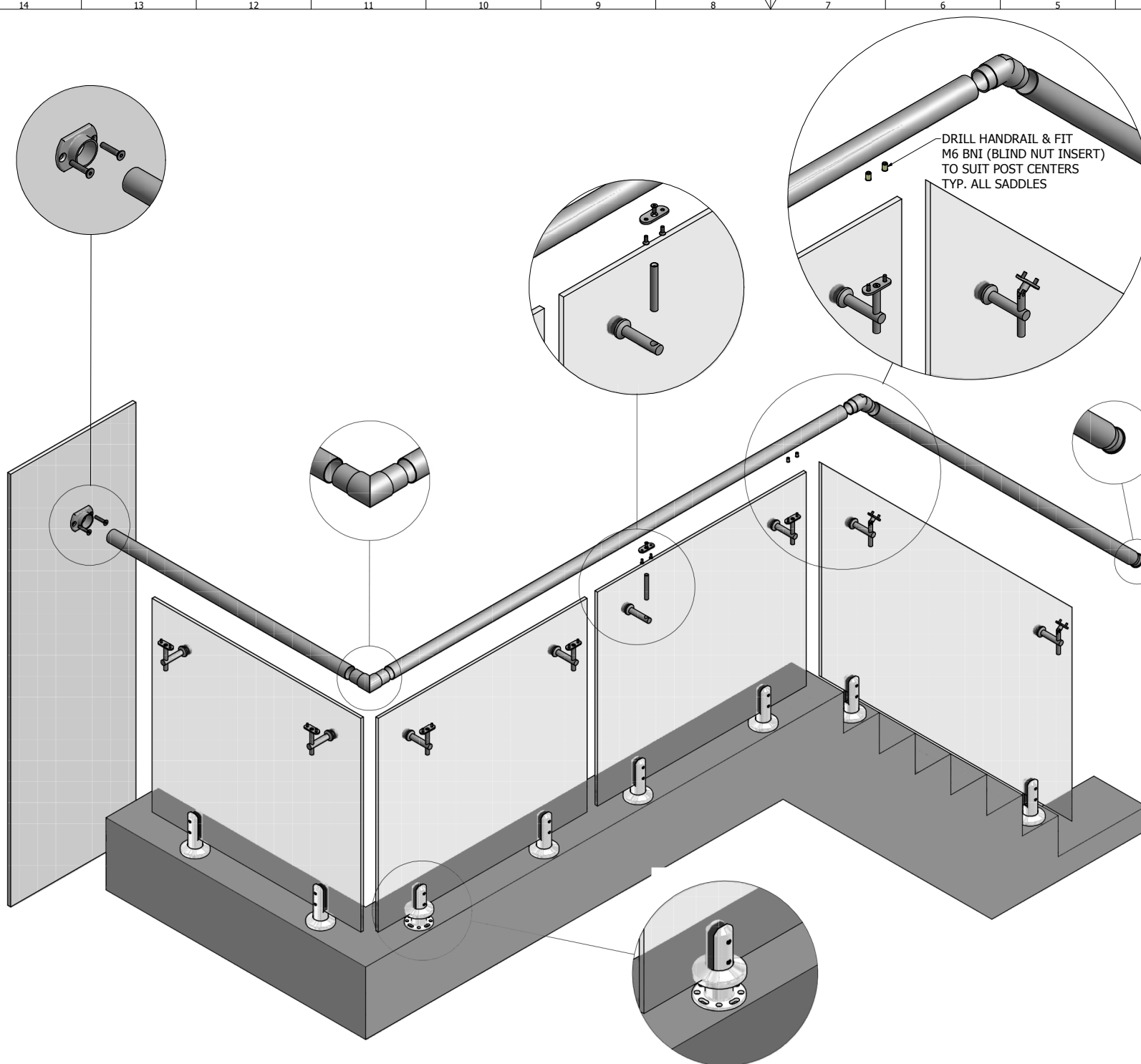
RECOMMENDED BASE FIXINGS
- BASE PLATE - ON CONCRETE
M10 x 100mm STAINLESS ALLTHREAD & NUT
CHEMSET CHEMICAL ANCHOR
OR 10mm x 100mm STAINLESS STEEL DYNA BOLT

frameless
direct 
architectural glass and hardware

21 ENCORE AVENUE, SOMERTON, VICTORIA AUSTRALIA 3062

WEBSITE: www.framelessdirect.com.au
EMAIL: sales@framelessdirect.com.au

TEL: 03 9303 9008
FAX: 03 8339 2425



PRODUCT CODE:
MPH-SFH

PRODUCT TYPE:
 MINI POST SERIES - SIDE FIX HAND RAIL

AVAILABLE FINISHES:
 - SATIN
 - POLISHED

AUSTRALIAN STANDARDS:
 REGULATION No. AS2088 - A GRADE TOUGHENED GLASS
 COMPLIES TO AS1170.1-2002 SUBSECTION 3.6 BARRIERS
 TABLE 3.3 - MINIMUM IMPOSED ACTIONS FOR BARRIERS
 TESTED AT 750 N m

GLASS:
 BGH 1000 SERIES
 12mm CLEAR TOUGHENED
 WIDTHS AVAILABLE FROM 200mm TO 1500mm
 (IN 50mm INCREMENTS)

HANDRAIL:
 - TSR-50 RAIL

POSTS
 - ENC RNB - ROUND POST
 - ENC SQB - SQUARE POST

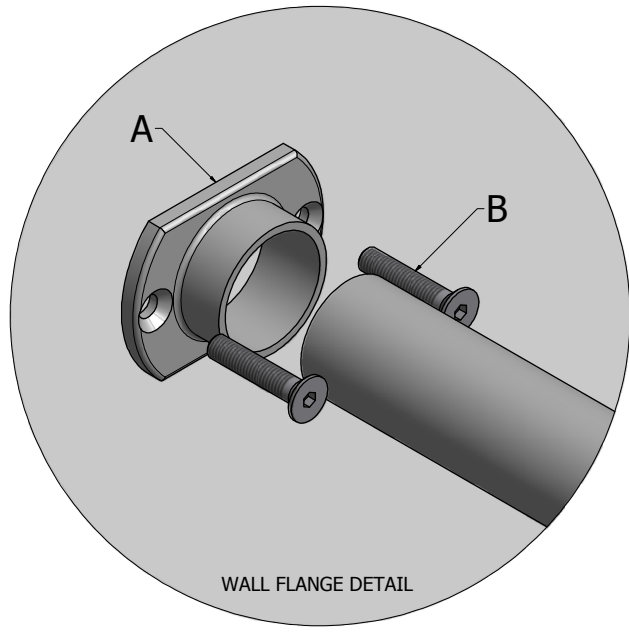
RECOMMENDED BASE FIXINGS
 - BASE PLATE - ON CONCRETE
 M10 x 100mm STAINLESS ALLTHREAD & NUT
 CHEMSET CHEMICAL ANCHOR
 OR 10mm x 100mm STAINLESS STEEL DYNA BOLT

frameless **direct** **f**
 architectural glass and hardware

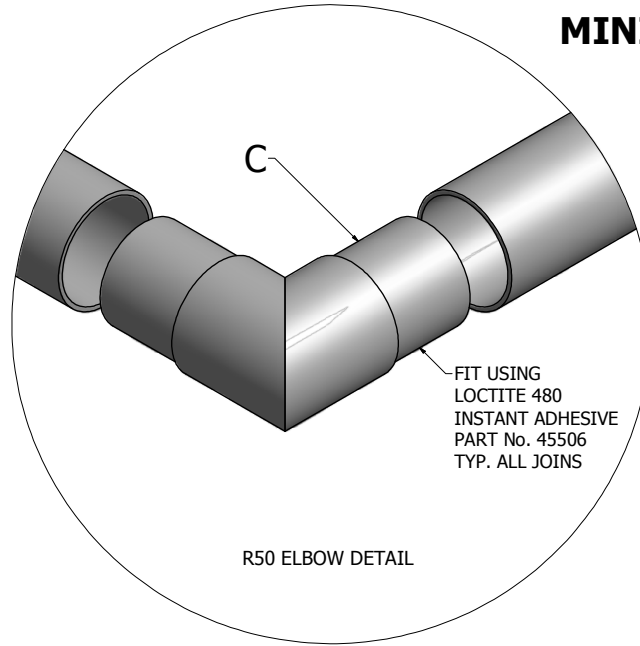
21 ENCORE AVENUE, SOMERTON, VICTORIA AUSTRALIA 3062

WEBSITE: www.framelessdirect.com.au
 EMAIL: sales@framelessdirect.com.au

TEL: 03 9303 9008
 FAX: 03 8339 2425



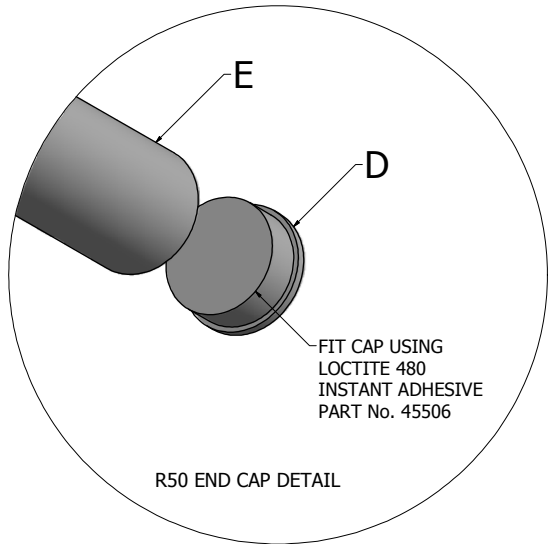
WALL FLANGE DETAIL



FIT USING
LOCTITE 480
INSTANT ADHESIVE
PART No. 45506
TYP. ALL JOINS

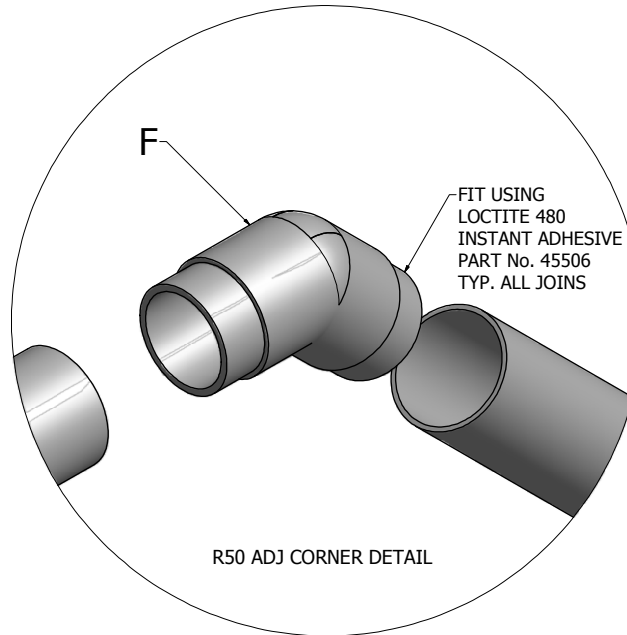
R50 ELBOW DETAIL

MINI POST SERIES SIDE FIX HANDRAIL R50 HAND RAIL OPTIONS



FIT CAP USING
LOCTITE 480
INSTANT ADHESIVE
PART No. 45506

R50 END CAP DETAIL



FIT USING
LOCTITE 480
INSTANT ADHESIVE
PART No. 45506
TYP. ALL JOINS

R50 ADJ CORNER DETAIL

ITEM LIST

- A - R50 WALL FLANGE
- B - WALL / POST FIXING SCREW
- C - R50 ELBOW
- D - R50 END CAP
- E - TSR-50 - RAIL
- F - R50 ADJ JOINER

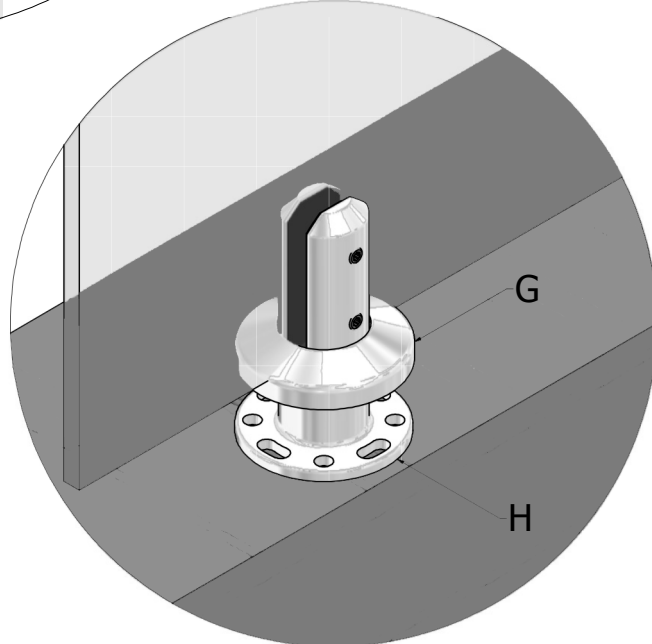
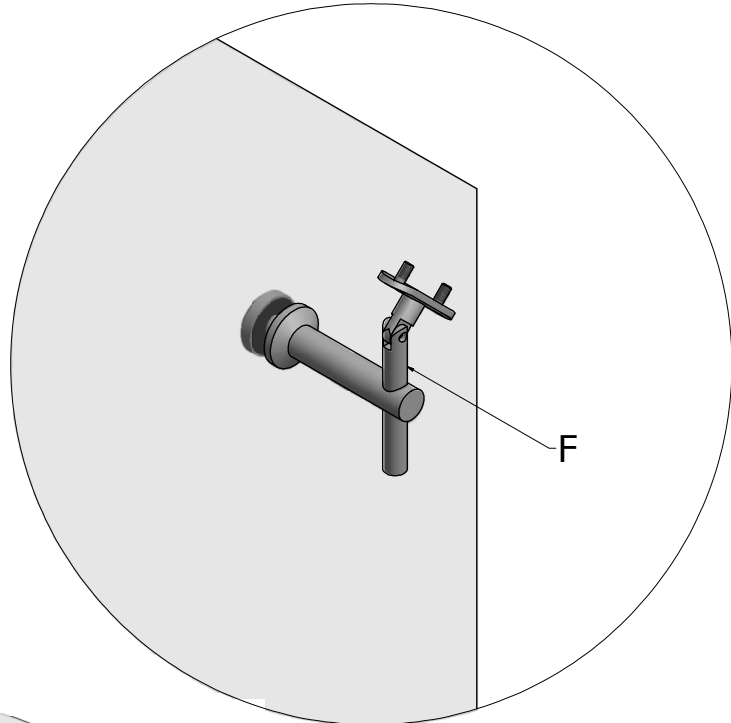
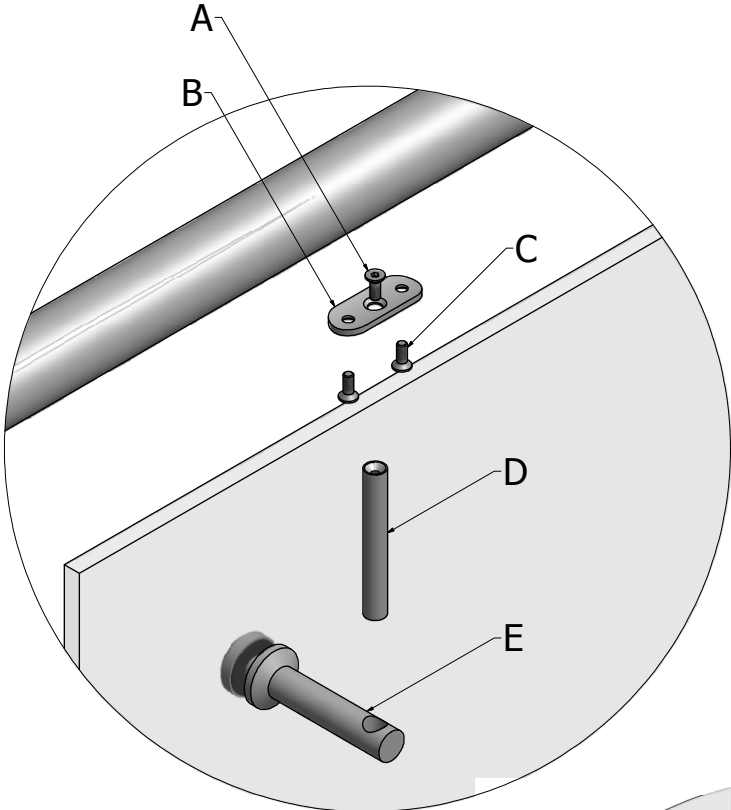
frameless
direct
architectural glass and hardware 

21 ENCORE AVENUE, SOMERTON, VICTORIA AUSTRALIA 3062

WEBSITE: www.framelessdirect.com.au
EMAIL: sales@framelessdirect.com.au

TEL: 03 9303 9008
FAX: 03 8339 2425

MINI POST SERIES SIDE FIX HANDRAIL HAND RAIL & POST DETAILS



- ITEM LIST**
- A - M6 x 16 COUNTERSUNK SETSCREW
 - B - SSA-12 COLLAR
 - C - M6 x 16 COUNTERSUNK SETSCREW
 - D - HBF-04 SADDLE POST
 - E - HBF-04 GLASS SPIGOT
 - F - HBF-04 SADDLE POST - ADJUSTABLE
 - G - ENC RNB CP - MINI POST CAP
 - H - ENC RNB - MINI POST ROUND

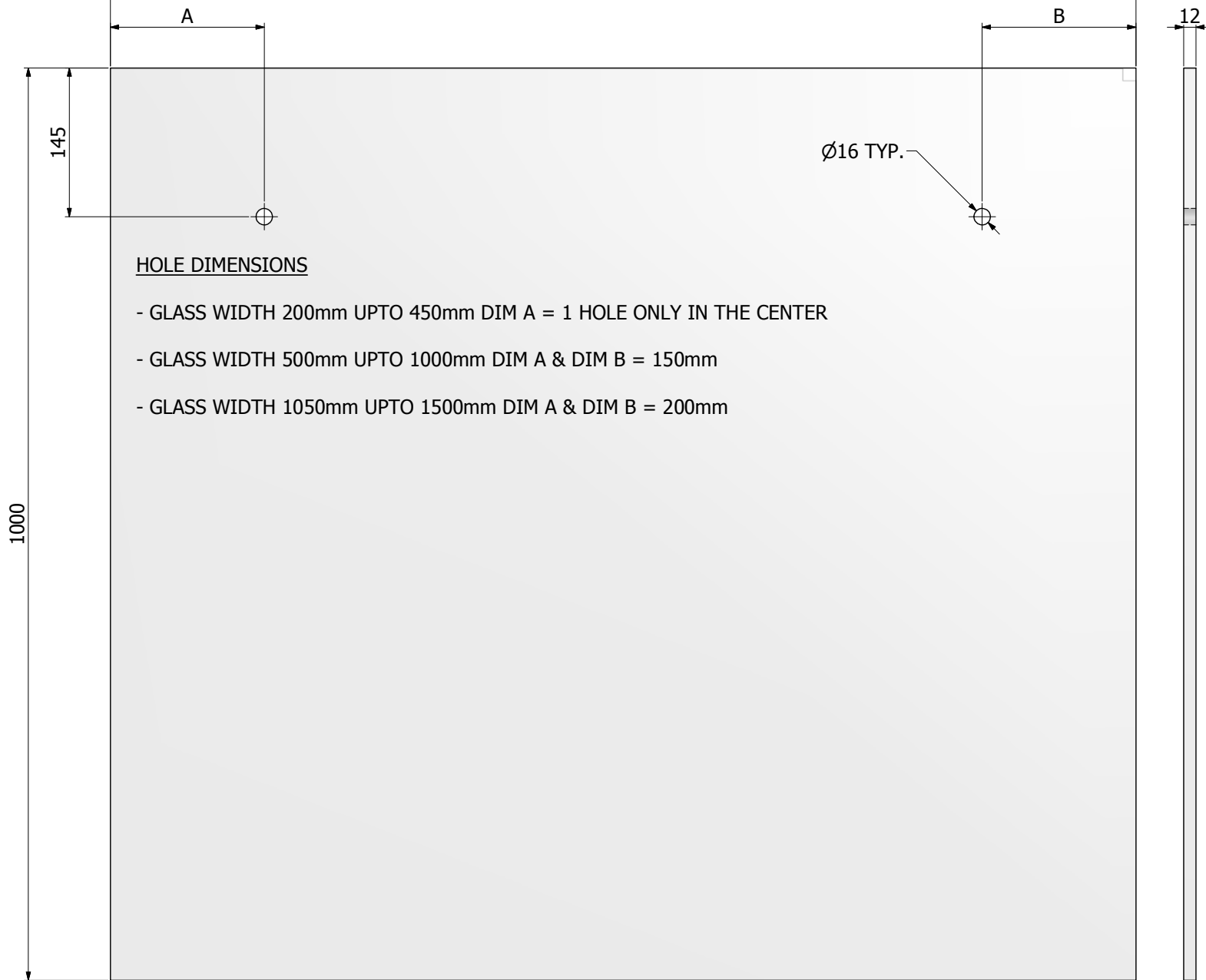


21 ENCORE AVENUE, SOMERTON, VICTORIA AUSTRALIA 3062

WEBSITE: www.framelessdirect.com.au
EMAIL: sales@framelessdirect.com.au

TEL: 03 9303 9008
FAX: 03 8339 2425

BGH 1000 - 200mm TO 1500mm
INCREMENTS OF 50mm

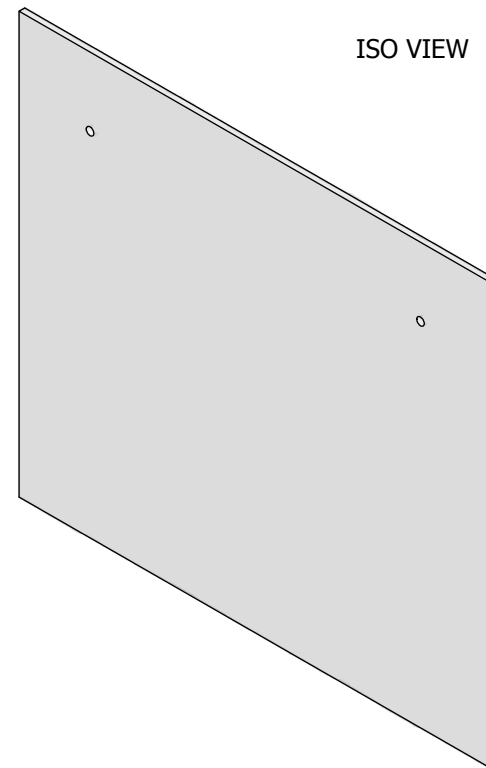


HOLE DIMENSIONS

- GLASS WIDTH 200mm UPTO 450mm DIM A = 1 HOLE ONLY IN THE CENTER
- GLASS WIDTH 500mm UPTO 1000mm DIM A & DIM B = 150mm
- GLASS WIDTH 1050mm UPTO 1500mm DIM A & DIM B = 200mm

Ø16 TYP.

ISO VIEW



PRODUCT CODE:
BGH 1000

PRODUCT TYPE:
BALUSTRADE GLASS PANEL 1000mm

TECHNICAL DETAILS:
12mm TOUGHENED CLEAR GLASS
2mm RADIUS CORNERS
POLISHED EDGES

AUSTRALIAN STANDARDS:
REGULATION No. AS2088 - A GRADE TOUGHENED GLASS



21 ENCORE AVENUE, SOMERTON, VICTORIA AUSTRALIA 3062

WEBSITE: www.framelessdirect.com.au
EMAIL: sales@framelessdirect.com.au

TEL: 03 9303 9008
FAX: 03 8339 2425