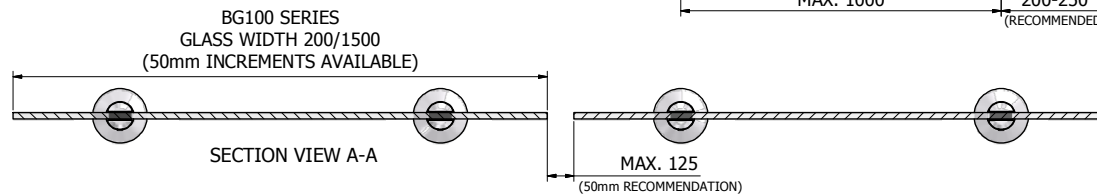
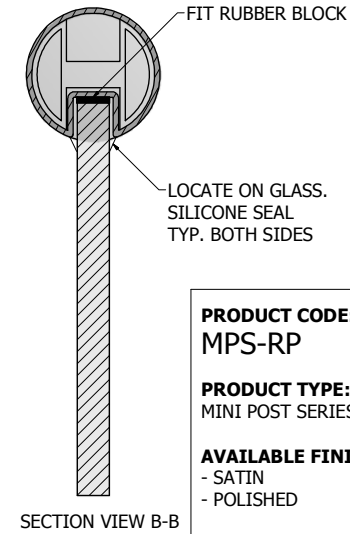
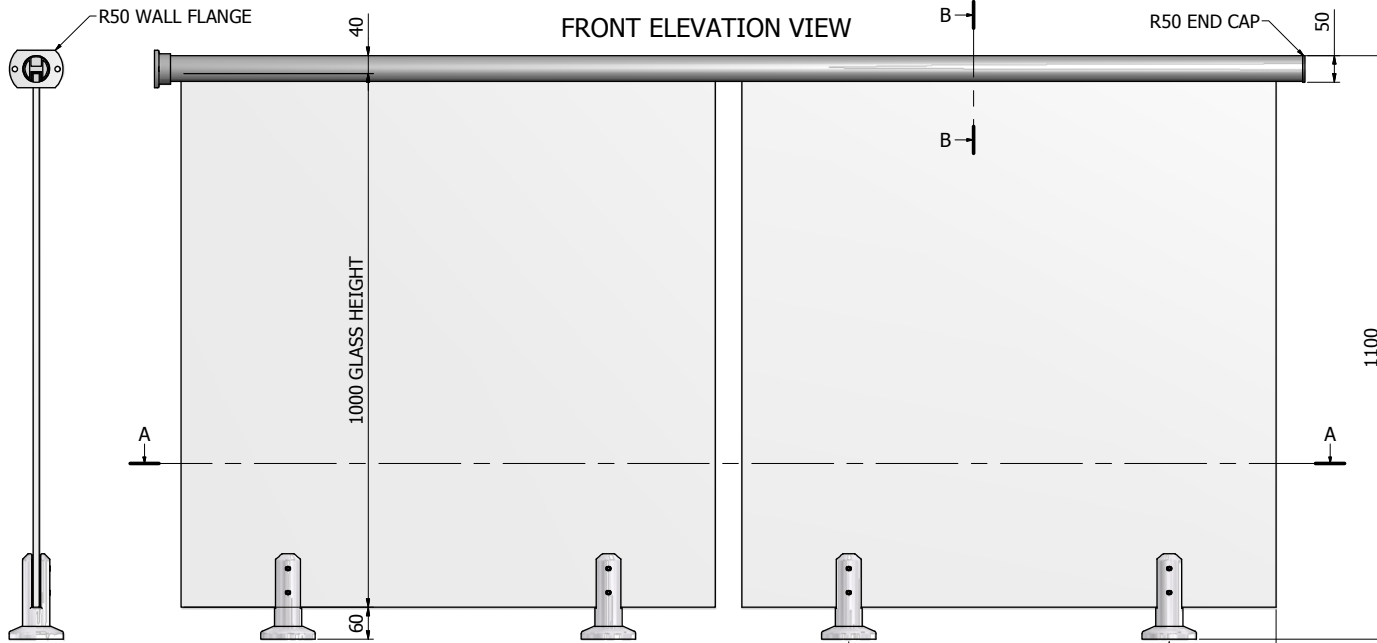




**MINI POST SERIES  
BALUSTRADE SYSTEM  
INSTALLATION GUIDE**

PRODUCT CODE: MPS-RP



**PRODUCT CODE:**  
MPS-RP

**PRODUCT TYPE:**  
MINI POST SERIES - ROUNDPOSTS

**AVAILABLE FINISHES:**  
- SATIN  
- POLISHED

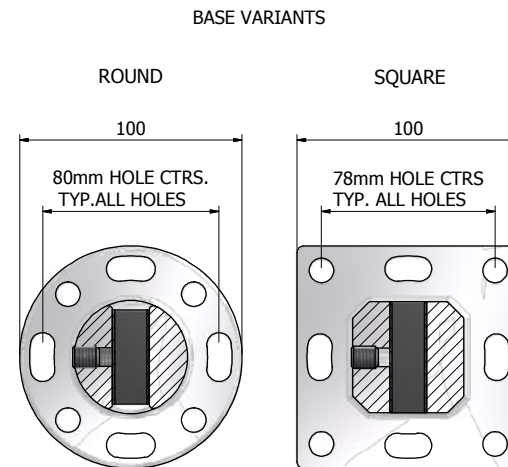
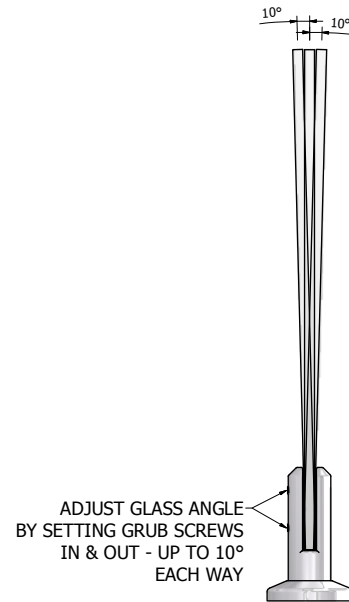
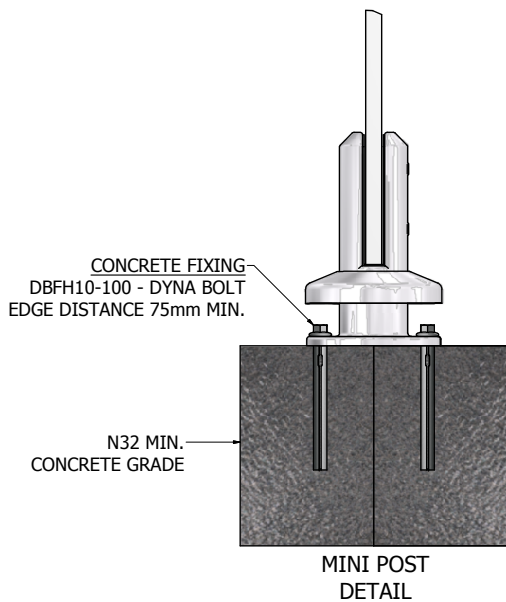
**AUSTRALIAN STANDARDS:**  
REGULATION No. AS2088 - A GRADE TOUGHENED GLASS  
COMPLIES TO AS1170.1-2002 SUBSECTION 3.6 BARRIERS  
TABLE 3.3 - MINIMUM IMPOSED ACTIONS FOR BARRIERS  
TESTED AT 750 N m

**GLASS:**  
BG 1000 SERIES  
12mm CLEAR TOUGHENED  
WIDTHS AVAILABLE FROM 200mm TO 1500mm  
(IN 50mm INCREMENTS)

**HANDRAIL:**  
- SR-50 SINGLE SLOT

**POSTS**  
- ENC RNB - ROUND POST  
- ENC SQB - SQUARE POST

**RECOMMENDED BASE FIXINGS**  
- BASE PLATE - ON CONCRETE  
M10 x 100mm STAINLESS ALLTHREAD & NUT  
CHEMSET CHEMICAL ANCHOR  
OR 10mm x 100mm STAINLESS STEEL DYNA BOLT

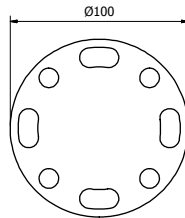
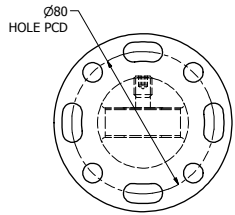
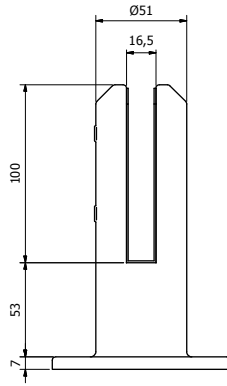
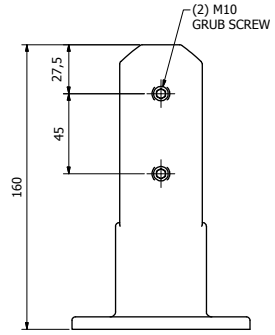


21 ENCORE AVENUE, SOMERTON, VICTORIA AUSTRALIA 3062

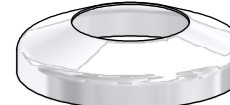
WEBSITE: [www.framelessdirect.com.au](http://www.framelessdirect.com.au)  
EMAIL: [sales@framelessdirect.com.au](mailto:sales@framelessdirect.com.au)

TEL: 03 9303 9008  
FAX: 03 8339 2425

STANDARD BASE PLATE SPIGOT - **ROUND**



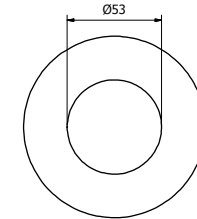
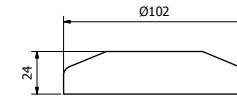
MPR-150



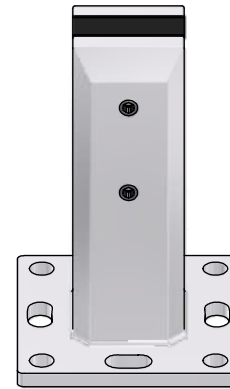
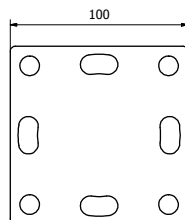
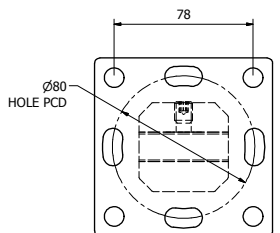
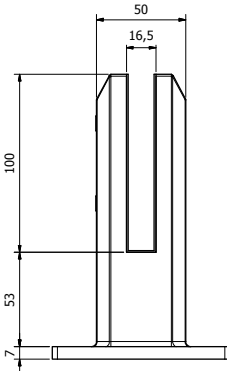
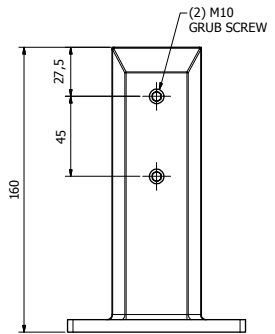
MPR-150-CP

CODE DESCRIPTION

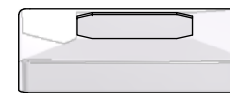
ENC RNB MINI POST ROUND BASE PLATE - Ø51/150mm  
 ENC RNB CP MINI POST ROUND BASE PLATE COVER PLATE



STANDARD BASE PLATE SPIGOT - **SQUARE**



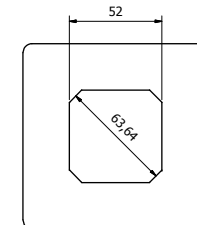
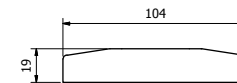
MPS-150



MPS-150-CP

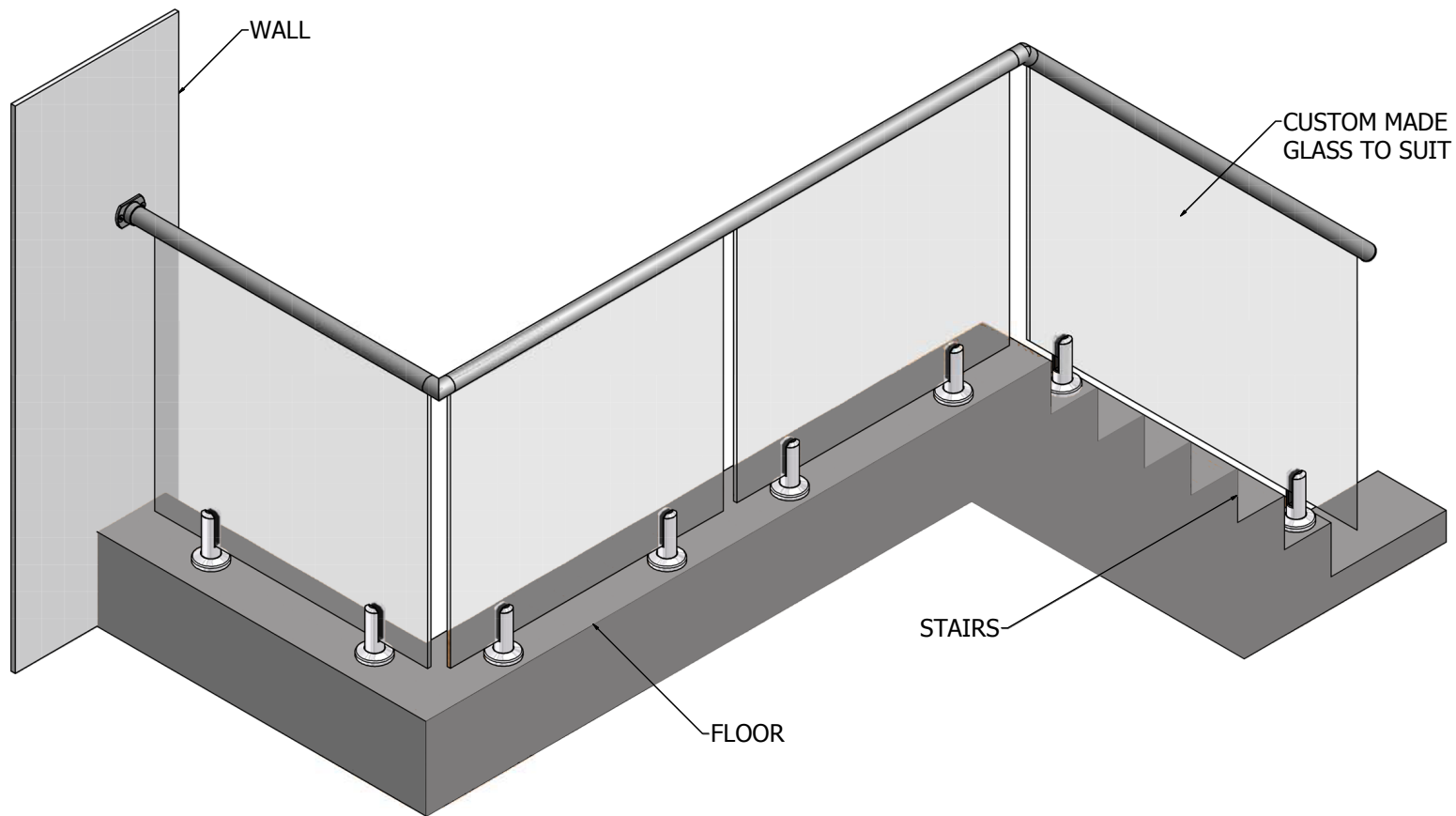
CODE DESCRIPTION

ENC SQB MINI POST SQUARE BASE PLATE - 50/150mm  
 ENC SQB CP MINI POST SQUARE BASE PLATE COVER RING



21 ENCORE AVENUE, SOMERTON, VICTORIA AUSTRALIA 3062  
 WEBSITE: [www.framelessdirect.com.au](http://www.framelessdirect.com.au) TEL: 03 9303 9008  
 EMAIL: [sales@framelessdirect.com.au](mailto:sales@framelessdirect.com.au) FAX: 03 8339 2425





**PRODUCT CODE:**  
MPS-RP

**PRODUCT TYPE:**  
MINI POST SERIES - ROUNDPOSTS

**AVAILABLE FINISHES:**  
- SATIN  
- POLISHED

**AUSTRALIAN STANDARDS:**  
REGULATION No. AS2088 - A GRADE TOUGHENED GLASS  
COMPLIES TO AS1170.1-2002 SUBSECTION 3.6 BARRIERS  
TABLE 3.3 - MINIMUM IMPOSED ACTIONS FOR BARRIERS  
TESTED AT 750 N m

**GLASS:**  
BG 1000 SERIES  
12mm CLEAR TOUGHENED  
WIDTHS AVAILABLE FROM 200mm TO 1500mm  
(IN 50mm INCREMENTS)

**HANDRAIL:**  
- SR-50 SINGLE SLOT

**POSTS**  
- ENC RNB - ROUND POST  
- ENC SQB - SQUARE POST

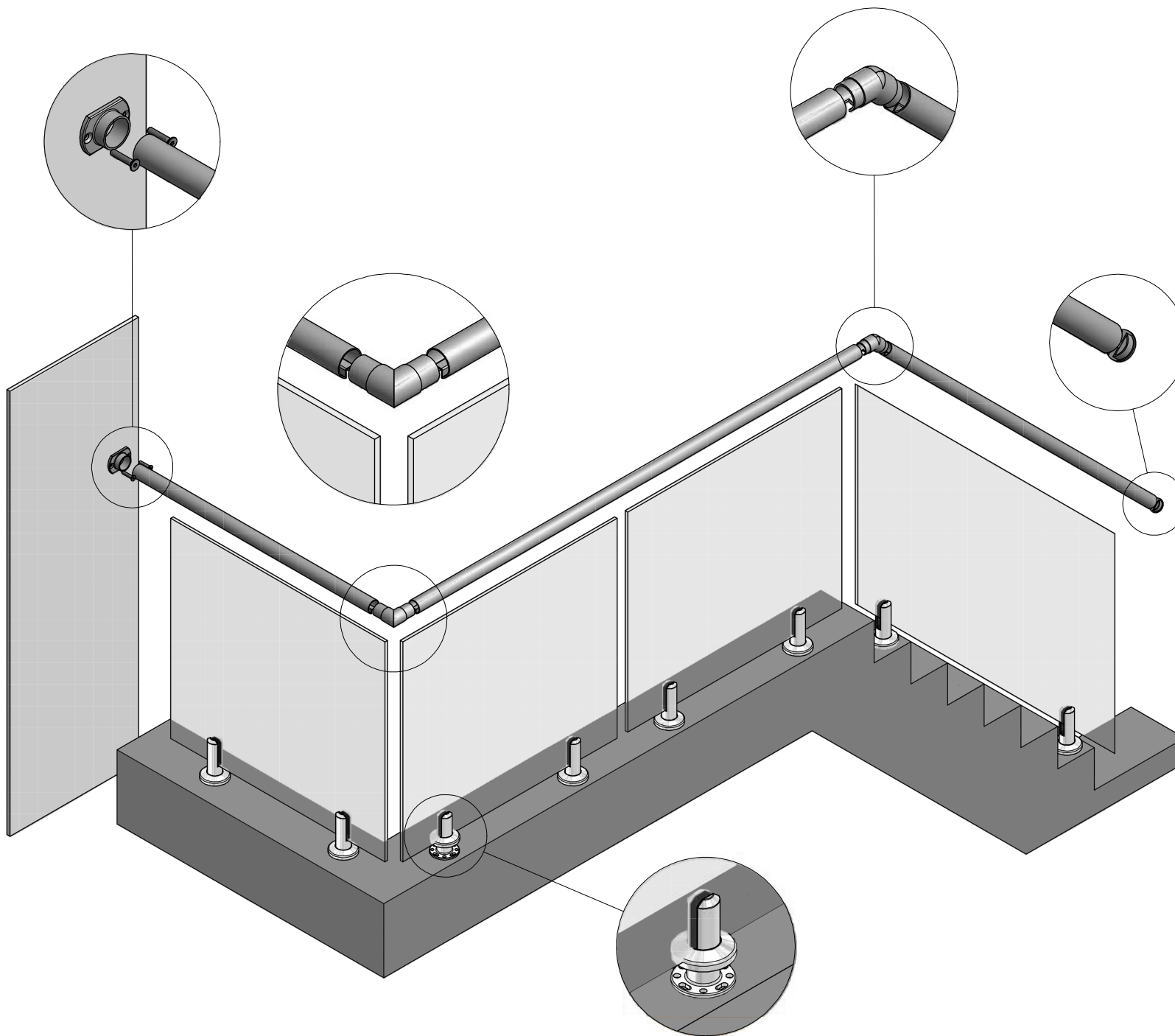
**RECOMMENDED BASE FIXINGS**  
- BASE PLATE - ON CONCRETE  
M10 x 100mm STAINLESS ALLTHREAD & NUT  
CHEMSET CHEMICAL ANCHOR  
OR 10mm x 100mm STAINLESS STEEL DYNA BOLT



21 ENCORE AVENUE, SOMERTON, VICTORIA AUSTRALIA 3062

WEBSITE: [www.framelessdirect.com.au](http://www.framelessdirect.com.au)  
EMAIL: [sales@framelessdirect.com.au](mailto:sales@framelessdirect.com.au)

TEL: 03 9303 9008  
FAX: 03 8339 2425



**PRODUCT CODE:**  
MPS-RP

**PRODUCT TYPE:**  
MINI POST SERIES - ROUNDPOSTS

**AVAILABLE FINISHES:**  
- SATIN  
- POLISHED

**AUSTRALIAN STANDARDS:**  
REGULATION No. AS2088 - A GRADE TOUGHENED GLASS  
COMPLIES TO AS1170.1-2002 SUBSECTION 3.6 BARRIERS  
TABLE 3.3 - MINIMUM IMPOSED ACTIONS FOR BARRIERS  
TESTED AT 750 N m

**GLASS:**  
BG 1000 SERIES  
12mm CLEAR TOUGHENED  
WIDTHS AVAILABLE FROM 200mm TO 1500mm  
(IN 50mm INCREMENTS)

**HANDRAIL:**  
- SR-50 SINGLE SLOT

**POSTS**  
- ENC RNB - ROUND POST  
- ENC SQB - SQUARE POST

**RECOMMENDED BASE FIXINGS**  
- BASE PLATE - ON CONCRETE  
M10 x 100mm STAINLESS ALLTHREAD & NUT  
CHEMSET CHEMICAL ANCHOR  
OR 10mm x 100mm STAINLESS STEEL DYNA BOLT

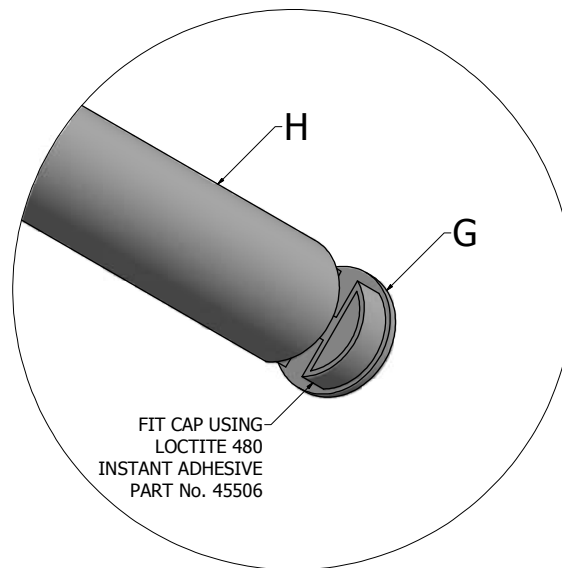
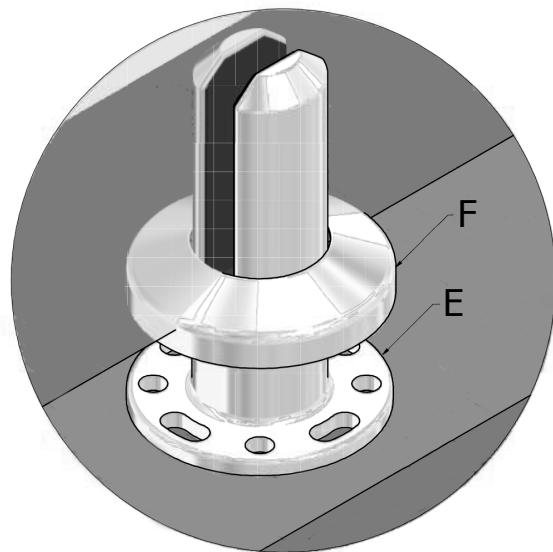
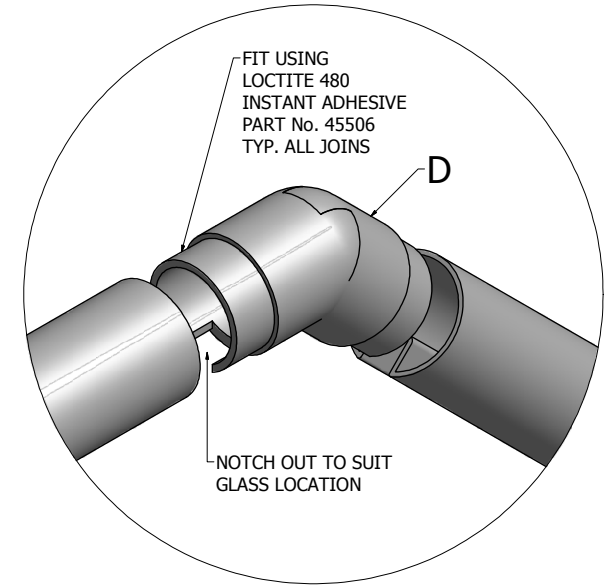
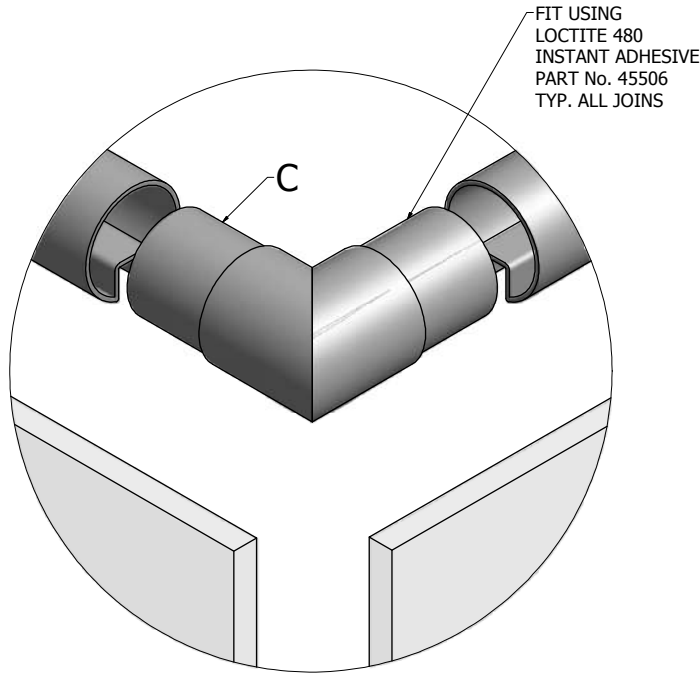
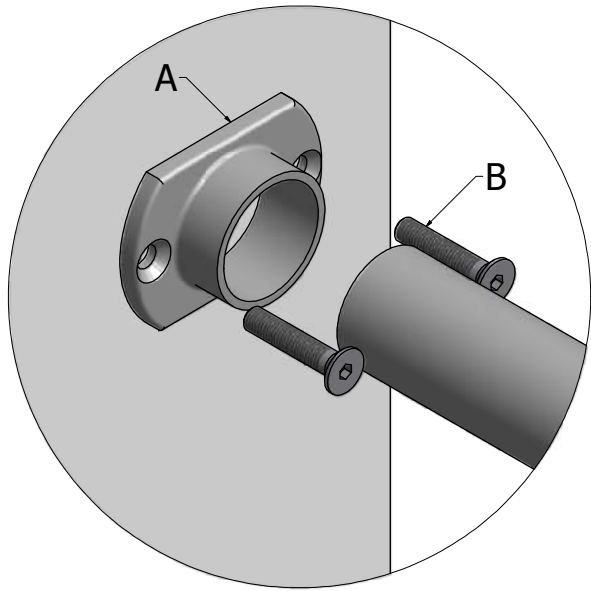
frameless  
**direct**   
architectural glass and hardware

21 ENCORE AVENUE, SOMERTON, VICTORIA AUSTRALIA 3062

WEBSITE: [www.framelessdirect.com.au](http://www.framelessdirect.com.au)  
EMAIL: [sales@framelessdirect.com.au](mailto:sales@framelessdirect.com.au)

TEL: 03 9303 9008  
FAX: 03 8339 2425

# MINI POST SERIES HAND RAIL & POST DETAILS



## ITEM LIST

- A - R50 WALL FLANGE
- B - WALL / POST FIXING SCREW
- C - SR50 ELBOW
- D - SR50 ADJ JOINER
- E - MPR-150 MINI POST
- F - MPR-150-CP - POST CAP
- G - TSR-EC180 - SLOTTED END CAP
- H - SR-50 SINGLE SLOT - RAIL

frameless  
**direct**  
architectural glass and hardware 

21 ENCORE AVENUE, SOMERTON, VICTORIA AUSTRALIA 3062

WEBSITE: [www.framelessdirect.com.au](http://www.framelessdirect.com.au)  
EMAIL: [sales@framelessdirect.com.au](mailto:sales@framelessdirect.com.au)

TEL: 03 9303 9008  
FAX: 03 8339 2425

1000

BG 1000 - 200mm TO 1500mm  
INCREMENTS OF 50mm

12

ISO VIEW

<b>PRODUCT CODE:</b> BG 1000
<b>PRODUCT TYPE:</b> BALUSTRADE GLASS PANEL 1000mm
<b>TECHNICAL DETAILS:</b> 12mm TOUGHENED CLEAR GLASS 2mm RADIUS CORNERS POLISHED EDGES
<b>AUSTRALIAN STANDARDS:</b> REGULATION No. AS2088 - A GRADE TOUGHENED GLASS

21 ENCORE AVENUE, SOMERTON, VICTORIA AUSTRALIA 3062
WEBSITE: <a href="http://www.framelessdirect.com.au">www.framelessdirect.com.au</a> EMAIL: <a href="mailto:sales@framelessdirect.com.au">sales@framelessdirect.com.au</a>
TEL: 03 9303 9008 FAX: 03 8339 2425