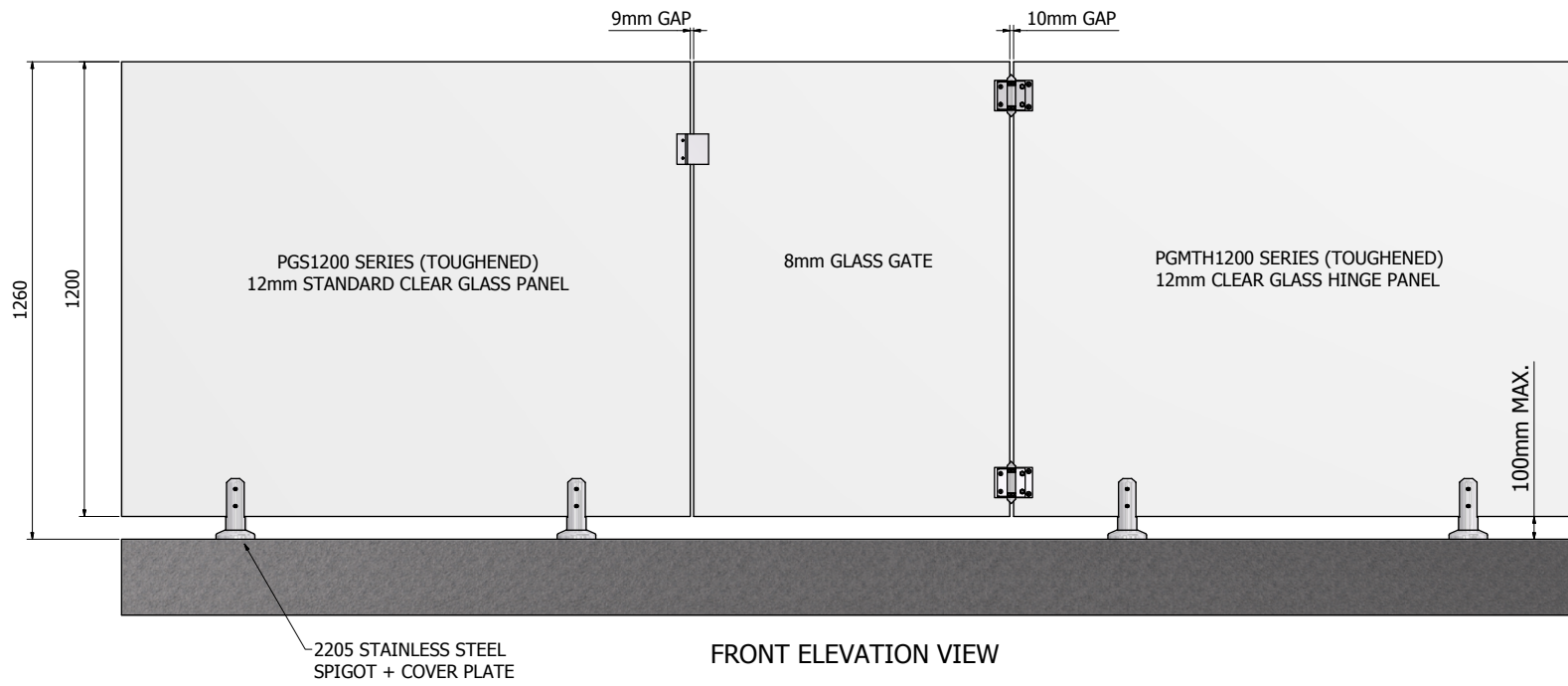




FRAMELESS MP SERIES GLASS POOL FENCING
WITH METRO GATE

SPECIFICATION & INSTALLATION GUIDE

PRODUCT CODE: MP/MTH



PRODUCT CODE:
MP/MTH

PRODUCT TYPE:
METRO HINGE GATE PACKAGE
TO SUIT MP AND INGROUND SERIES

AVAILABLE FINISHES:
- SATIN
- POLISHED

AUSTRALIAN STANDARDS:
REGULATION No. AS1926.1 - POOL SAFETY STANDARDS
REGULATION No. AS2088 - A GRADE TOUGHENED GLASS

GLASS INCLUDED:
- METRO HINGE DOOR PANEL (MTHD1) 1200x834mm
- POOL GLASS METRO HINGE PANEL (PGMTH)
WIDTHS AVAILABLE FROM 800mm TO 1900mm
(IN 50mm INCREMENTS)
- POOL GLASS STANDARD PANEL 1200mm (PGS1200)
WIDTHS AVAILABLE FROM 200mm TO 2000mm
(IN 50mm INCREMENTS)

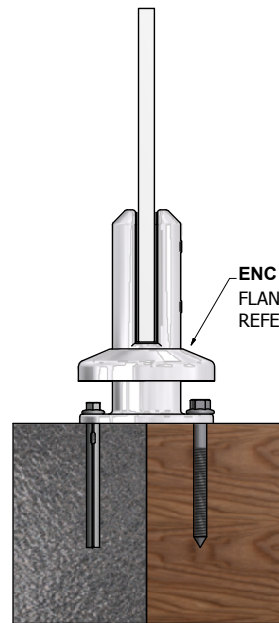
HARDWARE INCLUDED:
- METRO HINGE PAIR (MTH-GG)
- FRICTION LATCH (FL-GG)

SPIGOTS
-ENC RNB(MINI POST - ROUND)
-ENC RNB-CP (COVER PLATE - ROUND)
-ENC RNC(MINI POST IN GROUND - ROUND)
-ENC RNC-DR (DRESS RING - ROUND)
-ENC SQB(MINI POST - SQUARE)
-ENC SQB-CP (COVER PLATE - SQUARE)
-ENC SQC(MINI POST INGROUND - SQUARE)
-ENC SQC-DR (DRESS RING - SQUARE)

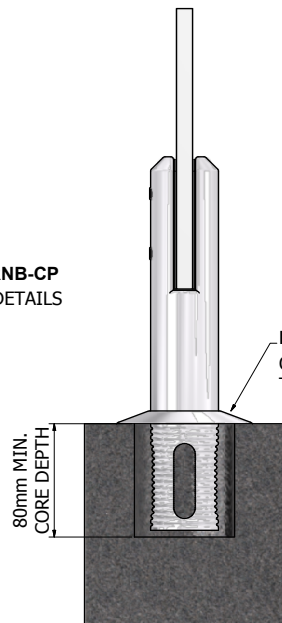
RECOMMENDED SPIGOT FIXINGS
- FLANGED SPIGOT - ON CONCRETE
M10 x 100mm STAINLESS ALLTHREAD & NUT
CHEMSET CHEMICAL ANCHOR
OR 10mm x 100mm STAINLESS STEEL DYNA BOLT

- FLANGED SPIGOT ON TIMBER
M10 x 100mm STAINLESS STEEL
HEX HEAD COACH SCREW

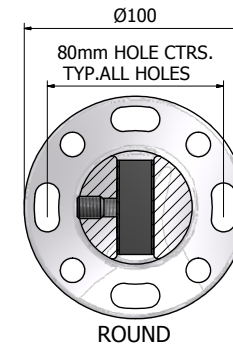
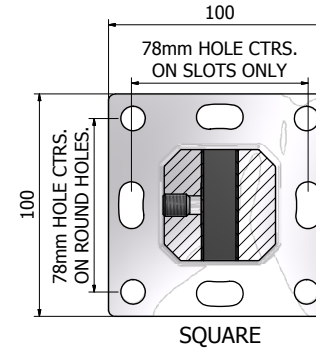
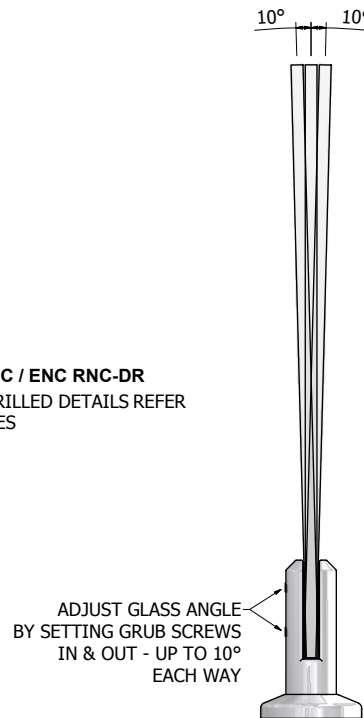
- CORE DRILLED SPIGOT
MINIMUM Ø75mm x 80mm DEEP CORE DRILL HOLE
FILLED WITH TGRQ-20 BOSTIK TECHFLOW
NON-SHRINK GROUT



**FLANGED
SPIGOT DETAIL**



**CORE DRILL
SPIGOT DETAIL**



**frameless
direct**
architectural glass and hardware

21 ENCORE AVENUE, SOMERTON, VICTORIA AUSTRALIA 3062

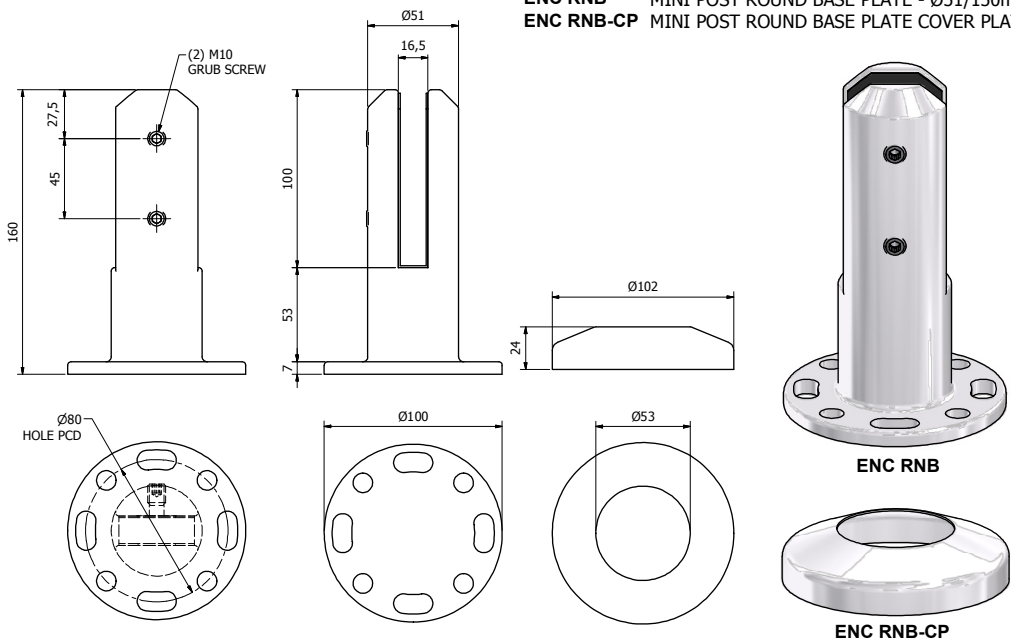
WEBSITE: www.framelessdirect.com.au
EMAIL: sales@framelessdirect.com.au

TEL: 03 9303 9008
FAX: 03 8339 2425

STANDARD BASE PLATE SPIGOT - ROUND

CODE DESCRIPTION

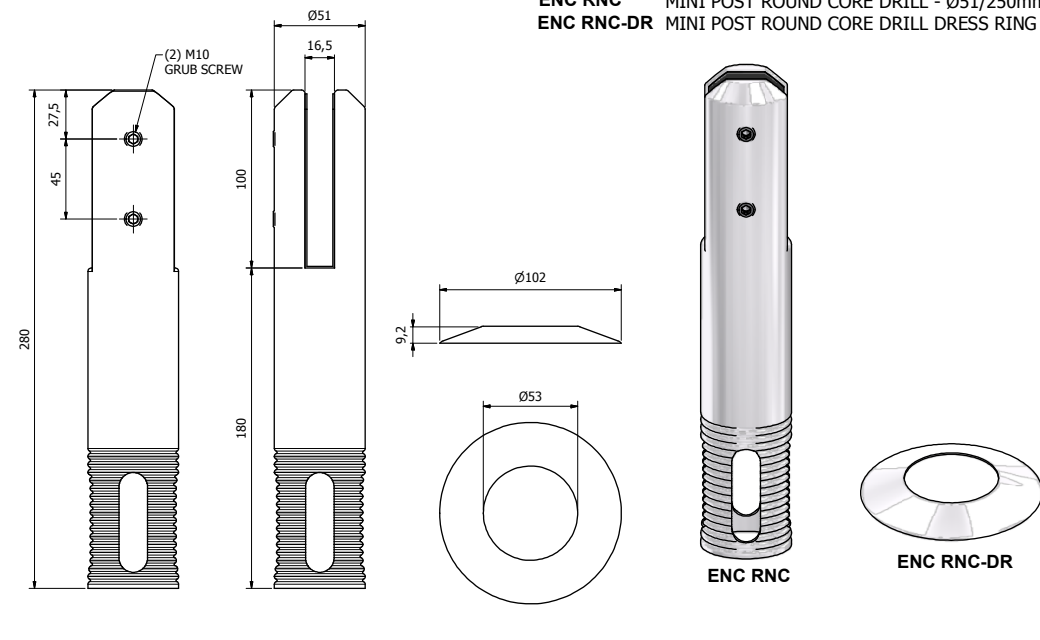
ENC RNB MINI POST ROUND BASE PLATE - Ø51/150mm
ENC RNB-CP MINI POST ROUND BASE PLATE COVER PLATE



STANDARD CORE DRILL SPIGOT - ROUND

CODE DESCRIPTION

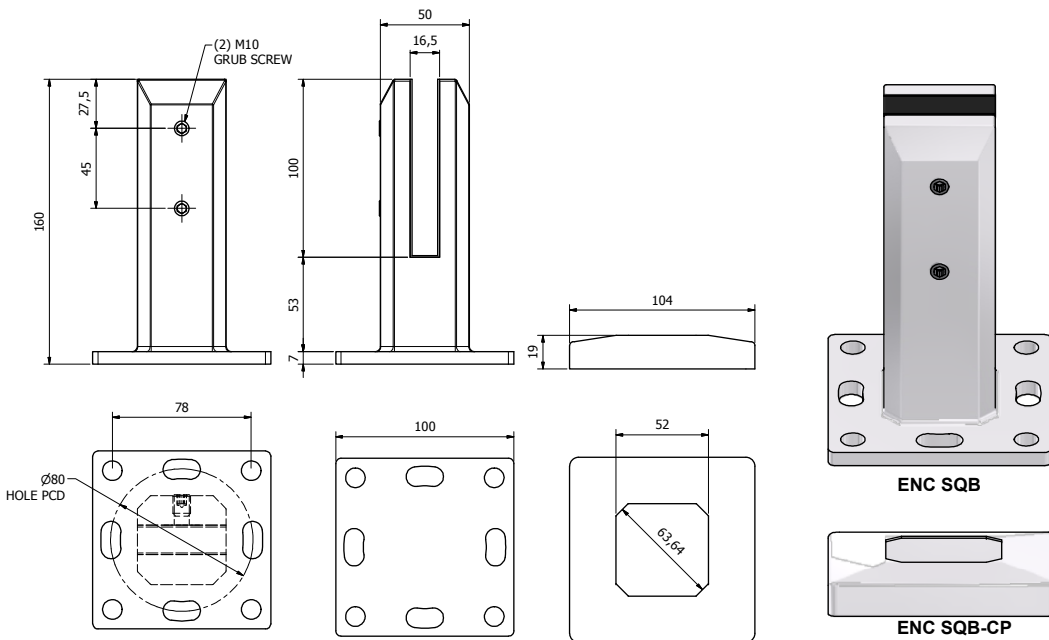
ENC RNC MINI POST ROUND CORE DRILL - Ø51/250mm
ENC RNC-DR MINI POST ROUND CORE DRILL DRESS RING



STANDARD BASE PLATE SPIGOT - SQUARE

CODE DESCRIPTION

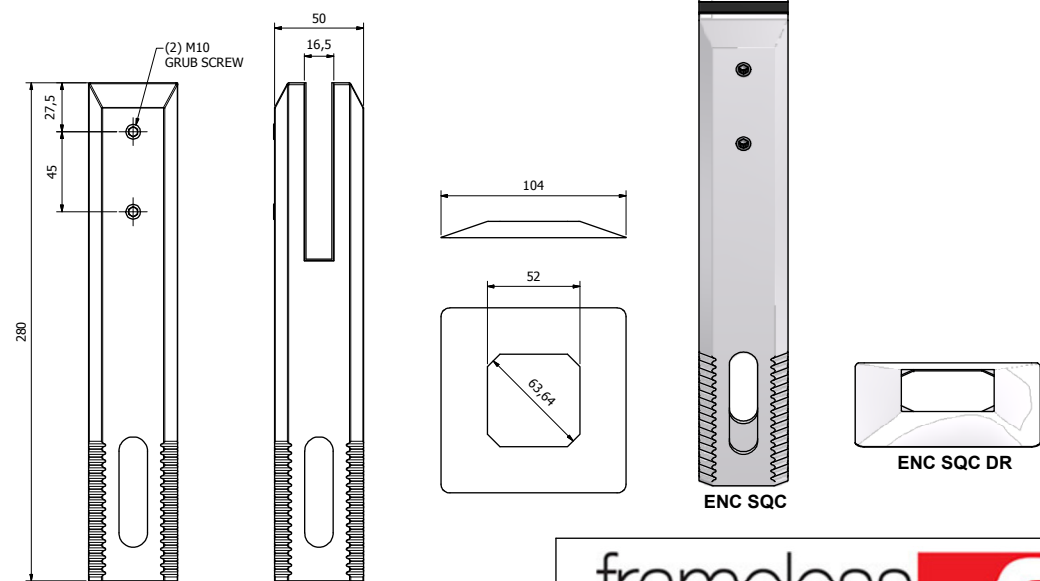
ENC SQB MINI POST SQUARE BASE PLATE - 50/150mm
ENC SQB-CP MINI POST SQUARE BASE PLATE COVER RING



STANDARD CORE DRILL SPIGOT - SQUARE

CODE DESCRIPTION

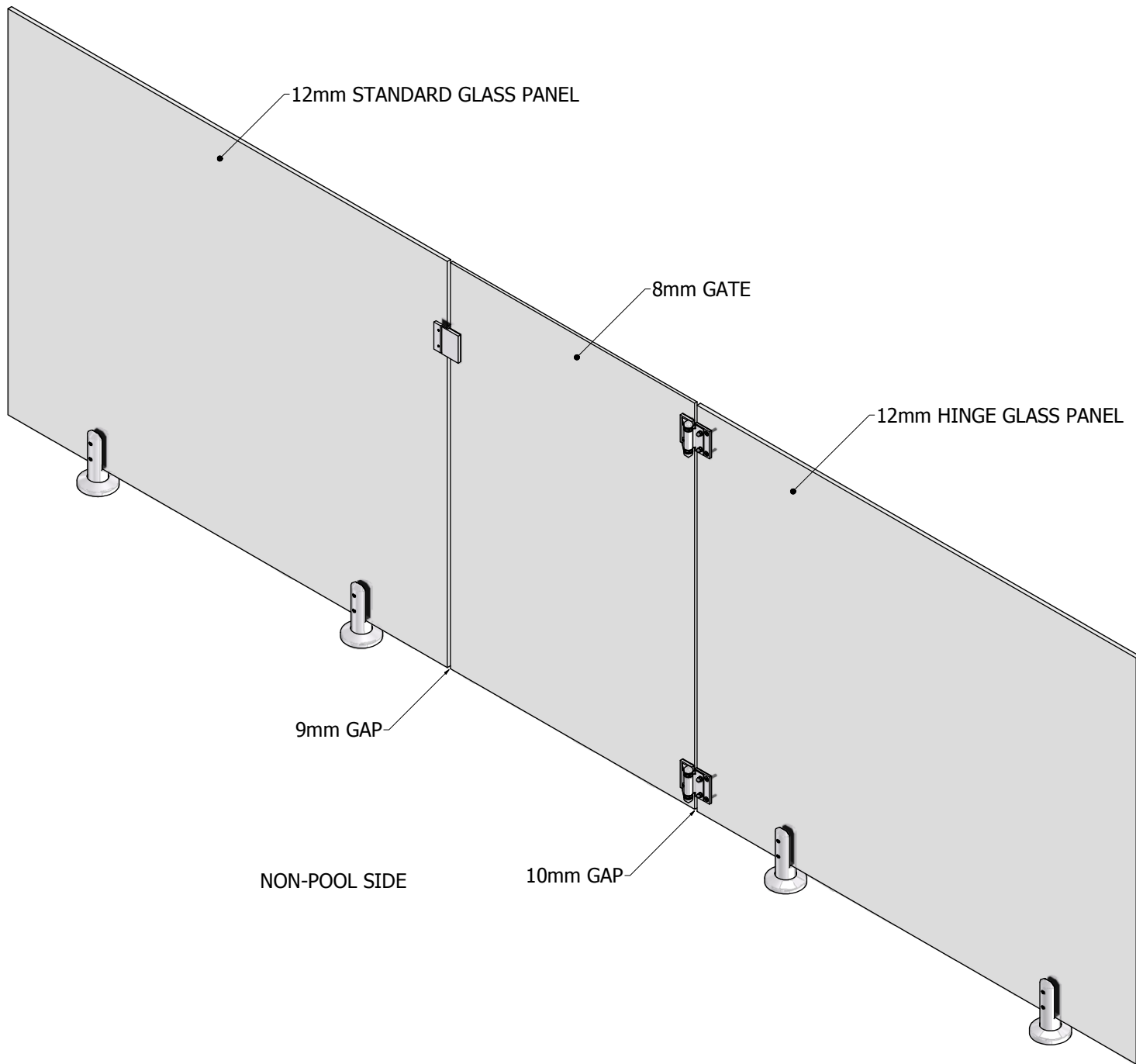
ENC SQC MINI POST SQUARE CORE DRILL - 50/250mm
ENC SQC DR MINI POST SQUARE CORE DRILL DRESS RING



21 ENCORE AVENUE, SOMERTON, VICTORIA AUSTRALIA 3062

WEBSITE: www.framelessdirect.com.au TEL: 03 9303 9008
 EMAIL: sales@framelessdirect.com.au FAX: 03 8339 2425





PRODUCT CODE:
MP/MTH

PRODUCT TYPE:
METRO HINGE GATE PACKAGE
TO SUIT MP AND INGROUND SERIES

AVAILABLE FINISHES:
- SATIN
- POLISHED

AUSTRALIAN STANDARDS:
REGULATION No. AS1926.1 - POOL SAFETY STANDARDS
REGULATION No. AS2088 - A GRADE TOUGHENED GLASS

GLASS INCLUDED:
- METRO HINGE DOOR PANEL 1200x834mm (MTHD1)
- POOL GLASS METRO HINGE PANEL 1200mm (PGMTH1200)
- POOL GLASS STANDARD PANEL 1200mm (PGS1200)

HARDWARE INCLUDED:
- METRO HINGE PAIR (MTH-GG)
- FRICTION LATCH (FL-GG)

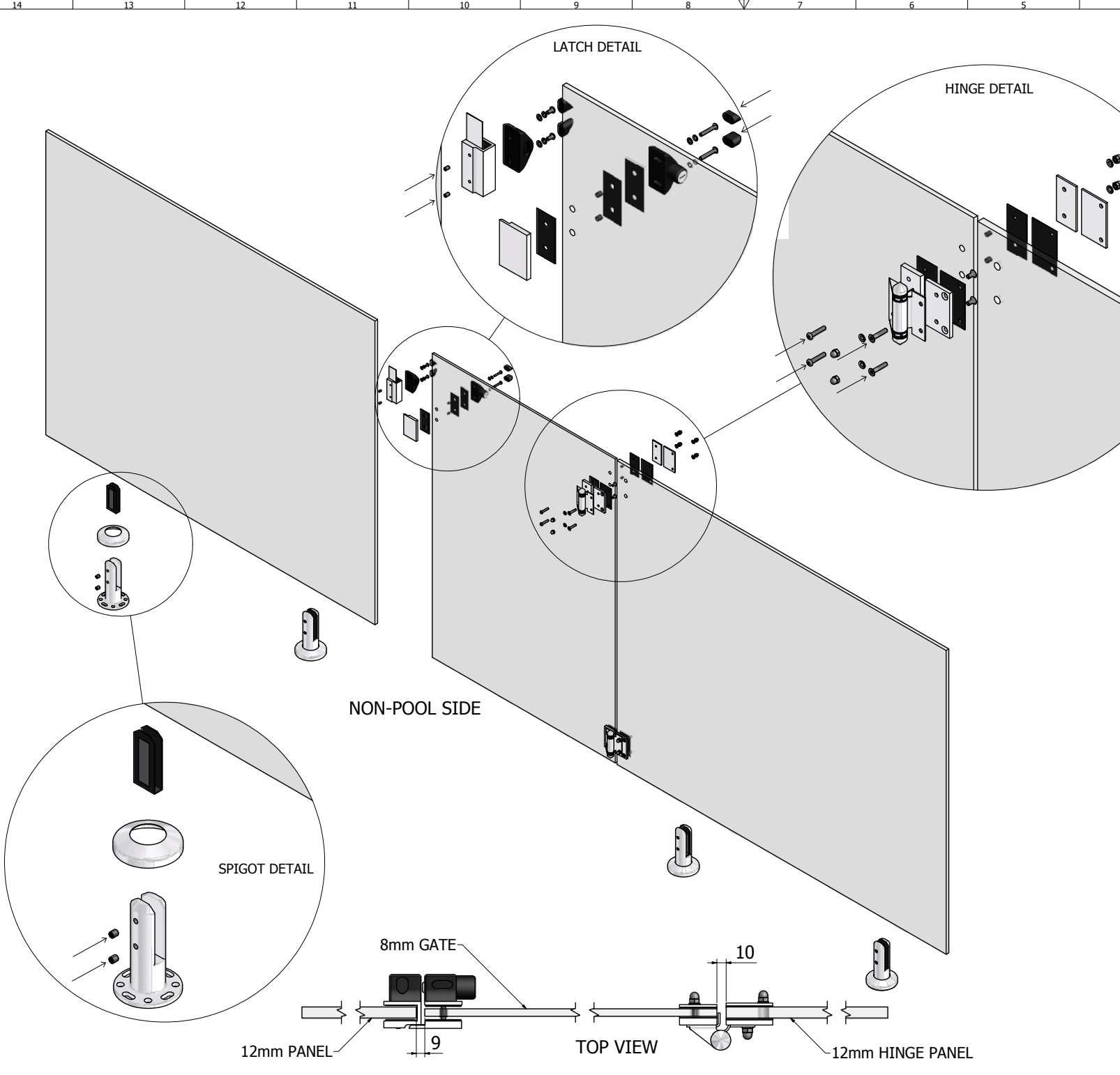
frameless
direct
architectural glass and hardware



21 ENCORE AVENUE, SOMERTON, VICTORIA AUSTRALIA 3062

WEBSITE: www.framelessdirect.com.au
EMAIL: sales@framelessdirect.com.au

TEL: 03 9303 9008
FAX: 03 8339 2425



PRODUCT CODE:
MP/MTH

PRODUCT TYPE:
METRO HINGE GATE PACKAGE
TO SUIT MP AND INGROUND SERIES

AVAILABLE FINISHES:
- SATIN
- POLISHED

AUSTRALIAN STANDARDS:
REGULATION No. AS1926.1 - POOL SAFETY STANDARDS
REGULATION No. AS2088 - A GRADE TOUGHENED GLASS

GLASS INCLUDED:
- METRO HINGE DOOR PANEL 1200x834mm (MTHD1)
- POOL GLASS METRO HINGE PANEL 1200mm (PGMTH1200)
- POOL GLASS STANDARD PANEL 1200mm (PGS1200)

HARDWARE INCLUDED:
- METRO HINGE PAIR (MTH-GG)
- FRICTION LATCH (FL-GG)

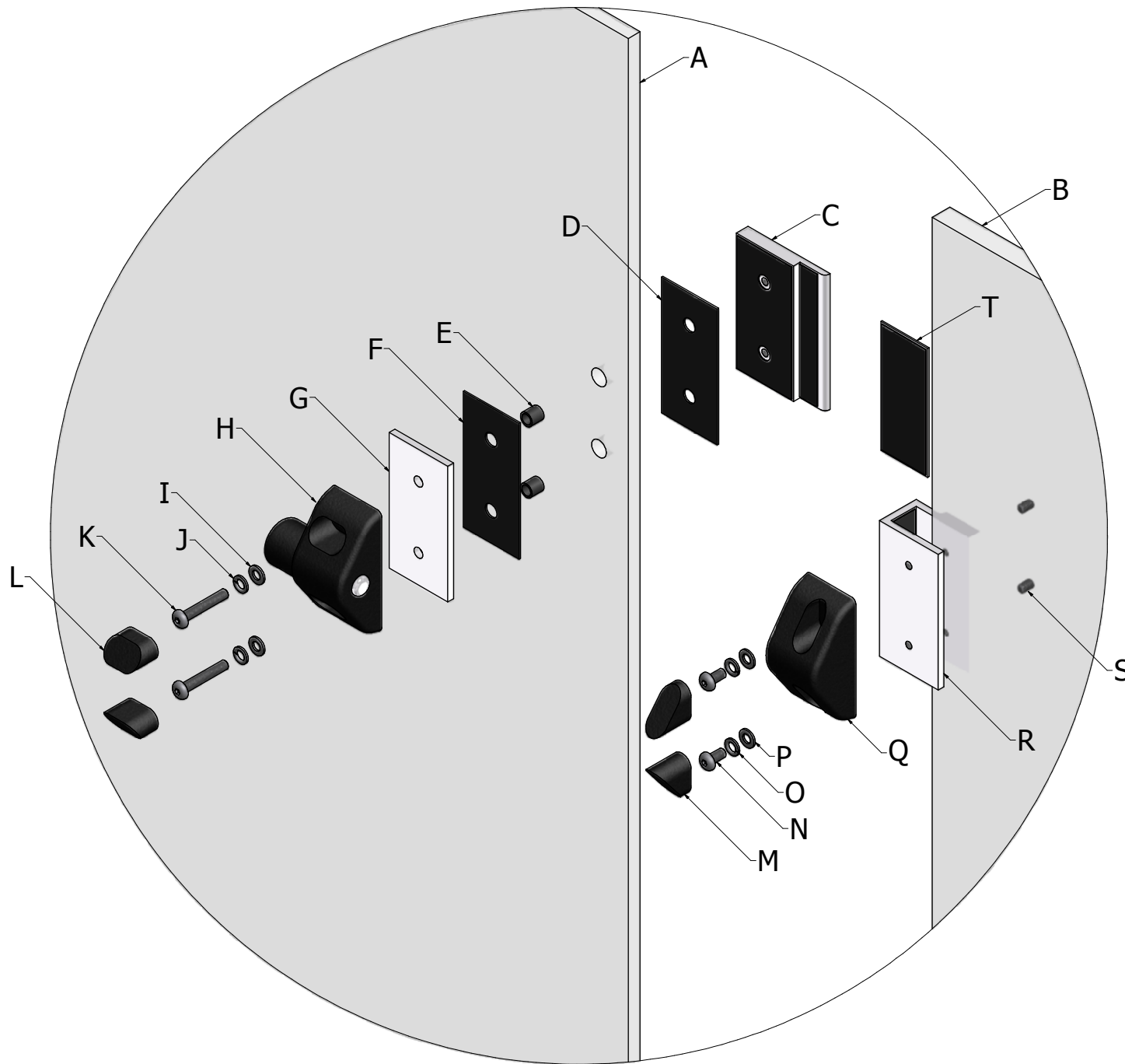
frameless direct 
architectural glass and hardware

21 ENCORE AVENUE, SOMERTON, VICTORIA AUSTRALIA 3062

WEBSITE: www.framelessdirect.com.au
EMAIL: sales@framelessdirect.com.au

TEL: 03 9303 9008
FAX: 03 8339 2425

FL-GG GLASS TO GLASS MAGNALATCH D.I.Y. ASSEMBLY GUIDE



ITEM LIST

- A - 8mm GLASS GATE PANEL
- B - 12mm HINGE GLASS PANEL
- C - LATCH BACKING KEEPER PLATE
- D - RUBBER SPACER
- E - HOLE SPACER
- F - RUBBER SPACER
- G - LATCH FIXING PLATE
- H - MALE LATCH HOUSING LOCKABLE
- I - M5 STAINLESS STEEL FLAT WASHER
- J - M5 STAINLESS STEEL SPRING WASHER
- K - M5 x 30 STAINLESS STEEL BUTTON HEAD SOCKET SCREW
- L - HOLE PLUG (MALE HOUSING)
- M - HOLE PLUG (FEMALE HOUSING)
- N - M5 x 10 STAINLESS STEEL BUTTON HEAD SOCKET SCREW
- O - M5 STAINLESS STEEL SPRING WASHER
- P - M5 STAINLESS STEEL FLAT WASHER
- Q - FEMALE LATCH HOUSING
- R - FRICTION LATCH PLATE
- S - M5 STAINLESS STEEL GRUB SCREW
- T - FRICTION LATCH PRESSURE PLATE

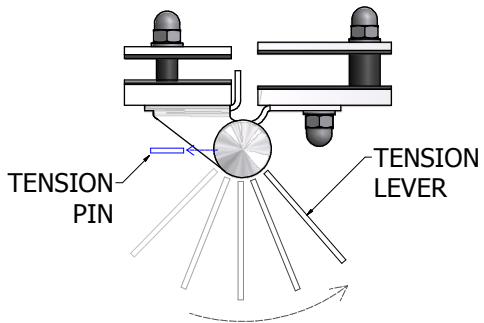
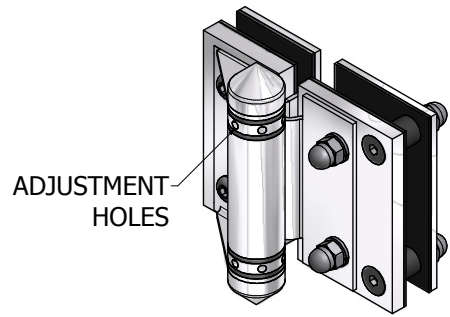
frameless
direct
architectural glass and hardware 

21 ENCORE AVENUE, SOMERTON, VICTORIA AUSTRALIA 3062

WEBSITE: www.framelessdirect.com.au
EMAIL: sales@framelessdirect.com.au

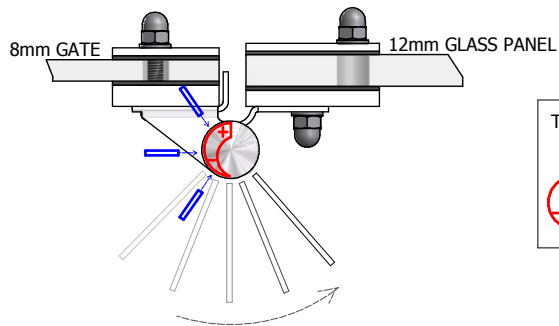
TEL: 03 9303 9008
FAX: 03 8339 2425

MTH-GG GLASS TO GLASS METRO HINGE D.I.Y. ASSEMBLY GUIDE



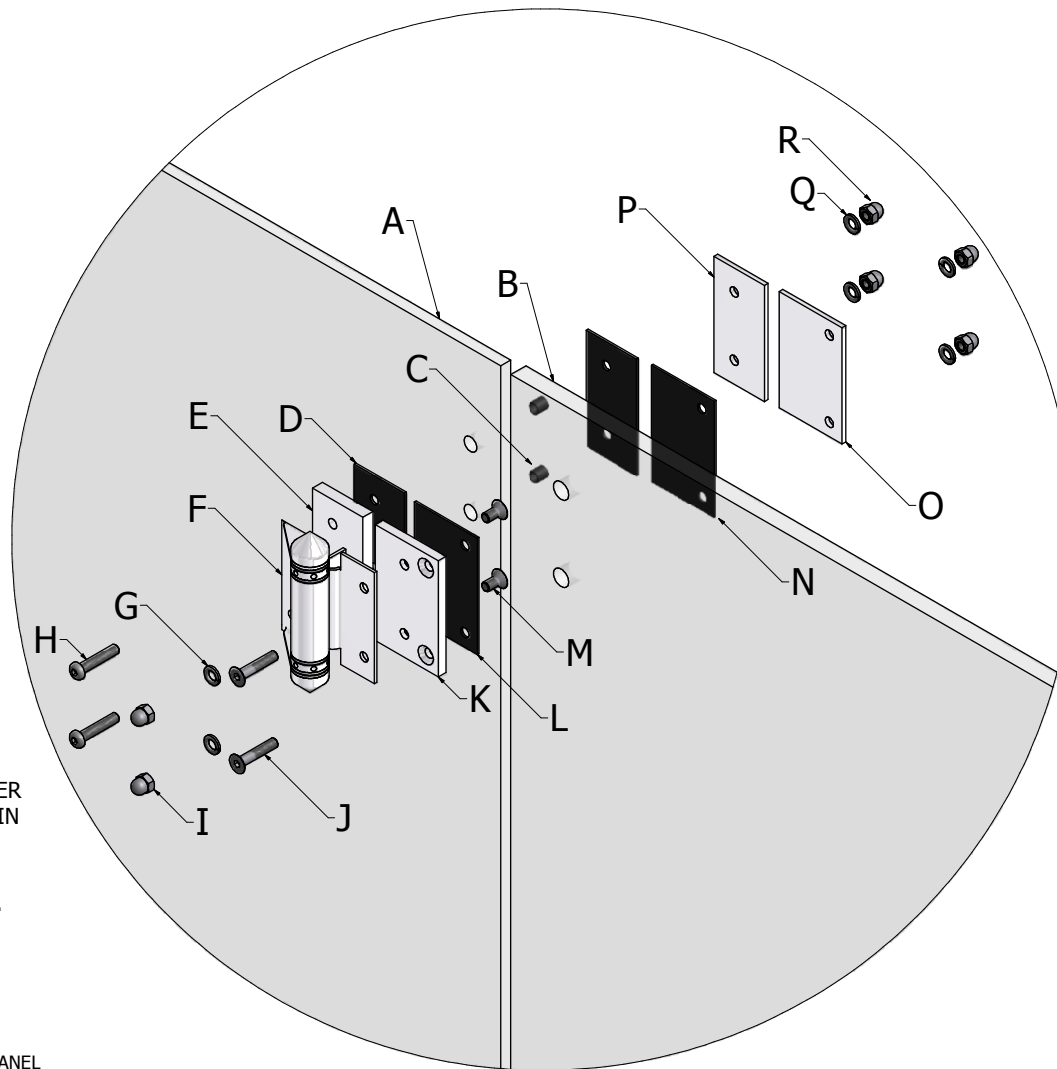
INSERT THE TENSION LEVER BAR INTO ONE OF THE ADJUSTMENT HOLES. GENTLY ROTATE THE THE LEVER TO RELEASE TENSION AND REMOVE THE TENSION PIN

!! IMPORTANT !!
KEEP THE TENSION PIN, YOU WILL NEED IT.



INSERT TENSION LEVER BAR INTO ONE OF THE ADJUSTMENT HOLES, ROTATE TO THE RIGHT AND RE-INSERT THE PIN AS SHOWN

THE CLOSER YOU INSERT THE TENSION PIN TO THE GATE IT WILL CREATE MORE FORCE WHEN OPENING AND CLOSING THE GATE



ITEM LIST

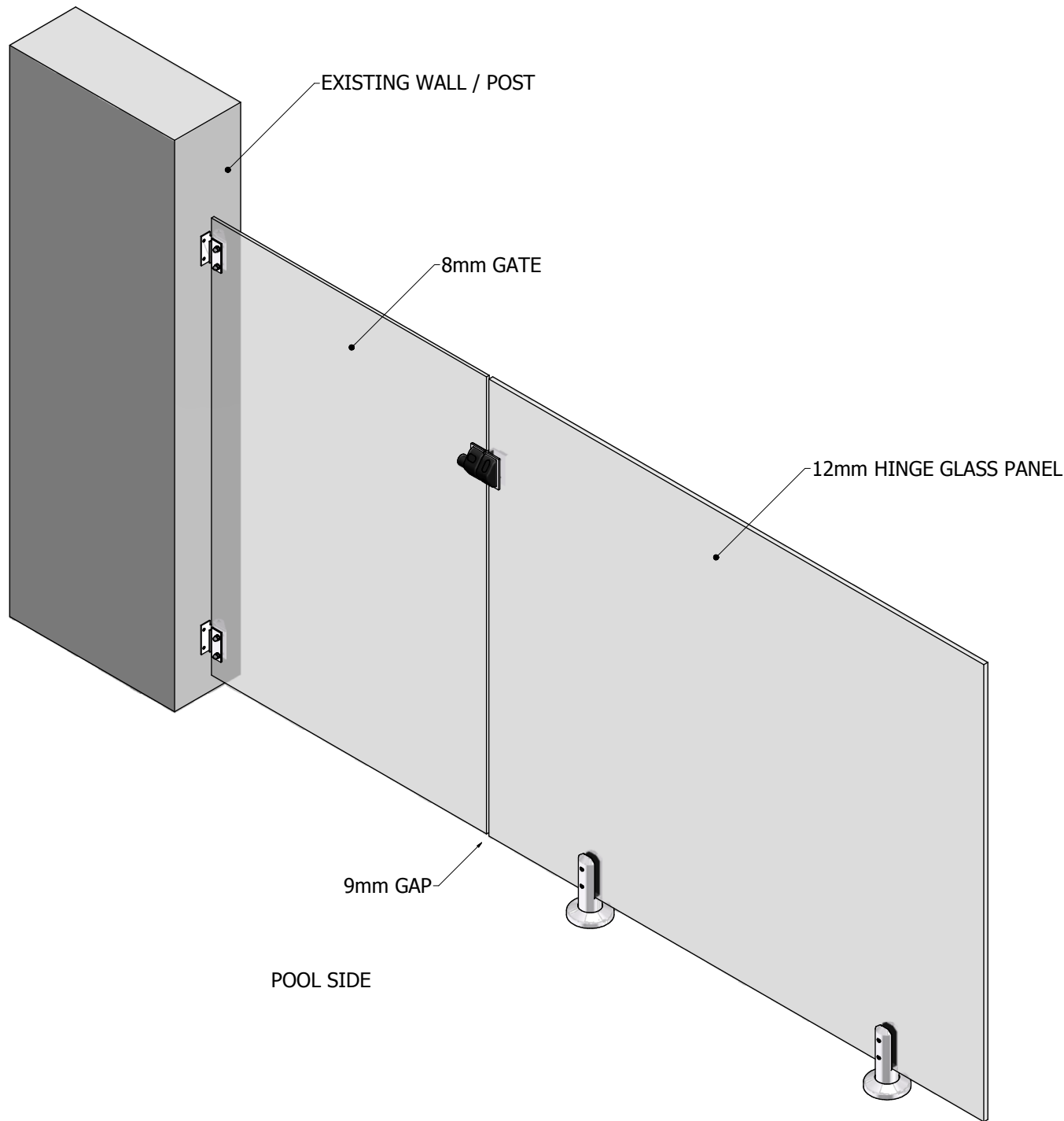
- A - 8mm GLASS GATE PANEL
- B - 12mm HINGE GLASS PANEL
- C - RUBBER HOLE SPACER (GATE)
- D - RUBBER SPACER (GATE)
- E - HINGE FACE PLATE (GATE)
- F - HINGE ASSEMBLY
- G - M6 STAINLESS STEEL SPRING WASHER
- H - M6 x 30 STAINLESS STEEL BUTTON HEAD SOCKET SCREW
- I - M6 STAINLESS STEEL DOME NUT
- J - M6 x 30 STAINLESS STEEL COUNTERSUNK CAP SCREW
- K - HINGE FACE PLATE
- L - RUBBER SPACER
- M - M6 x 12 STAINLESS STEEL COUNTERSUNK CAP SCREW
- N - RUBBER SPACER
- O - HINGE BACKING PLATE
- P - HINGE BACKING PLATE (GATE)
- Q - M5 STAINLESS STEEL SPRING WASHER
- R - M6 STAINLESS STEEL DOME NUT

frameless
direct
architectural glass and hardware 

21 ENCORE AVENUE, SOMERTON, VICTORIA AUSTRALIA 3062

WEBSITE: www.framelessdirect.com.au
EMAIL: sales@framelessdirect.com.au

TEL: 03 9303 9008
FAX: 03 8339 2425



PRODUCT CODE:
MP/MTH


PRODUCT TYPE:
METRO HINGE GATE PACKAGE WALL TO GATE
TO SUIT MP AND INGROUND SERIES

AVAILABLE FINISHES:
- SATIN
- POLISHED

AUSTRALIAN STANDARDS:
REGULATION No. AS1926.1 - POOL SAFETY STANDARDS
REGULATION No. AS2088 - A GRADE TOUGHENED GLASS

GLASS INCLUDED:
- METRO HINGE DOOR PANEL 1200x834mm (MTHD1)
- POOL GLASS METRO HINGE PANEL 1200mm (PGMTH1200)

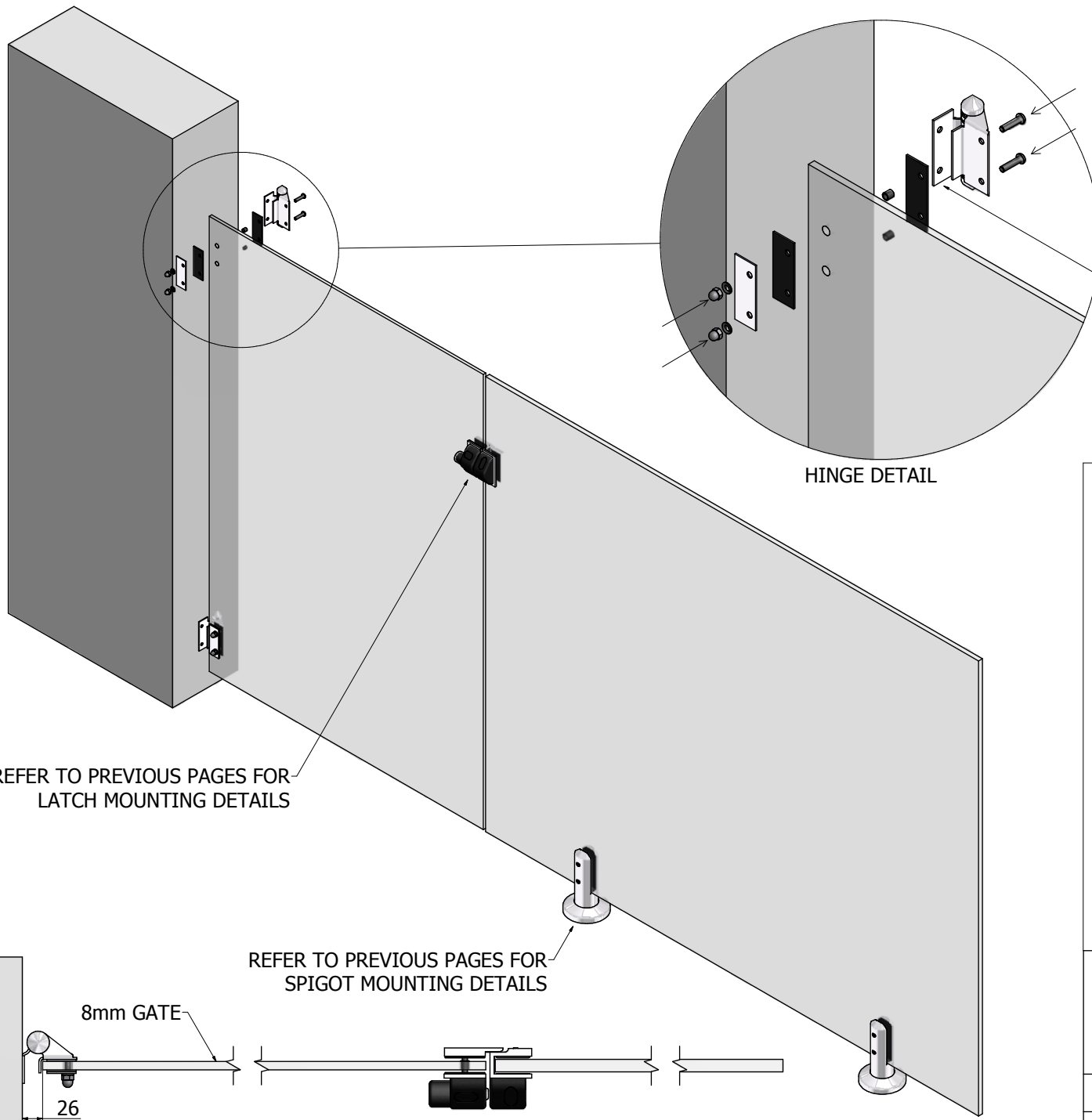
HARDWARE INCLUDED:
- METRO HINGE PAIR (MTH-WG)
- FRICTION LATCH (FL-GG)

frameless direct 
architectural glass and hardware

21 ENCORE AVENUE, SOMERTON, VICTORIA AUSTRALIA 3062

WEBSITE: www.framelessdirect.com.au
EMAIL: sales@framelessdirect.com.au

TEL: 03 9303 9008
FAX: 03 8339 2425



MOUNT HINGE USING APPROPRIATE FASTNERS TO SUIT SPECIFIC MATERIAL THAT THE HINGE MOUNTS TO


HINGE DETAIL

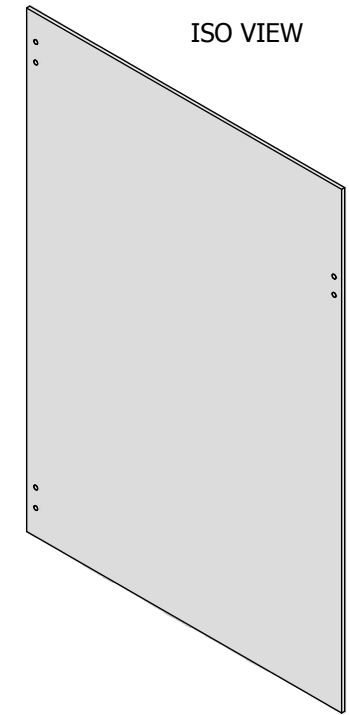
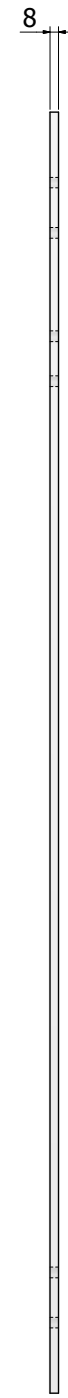
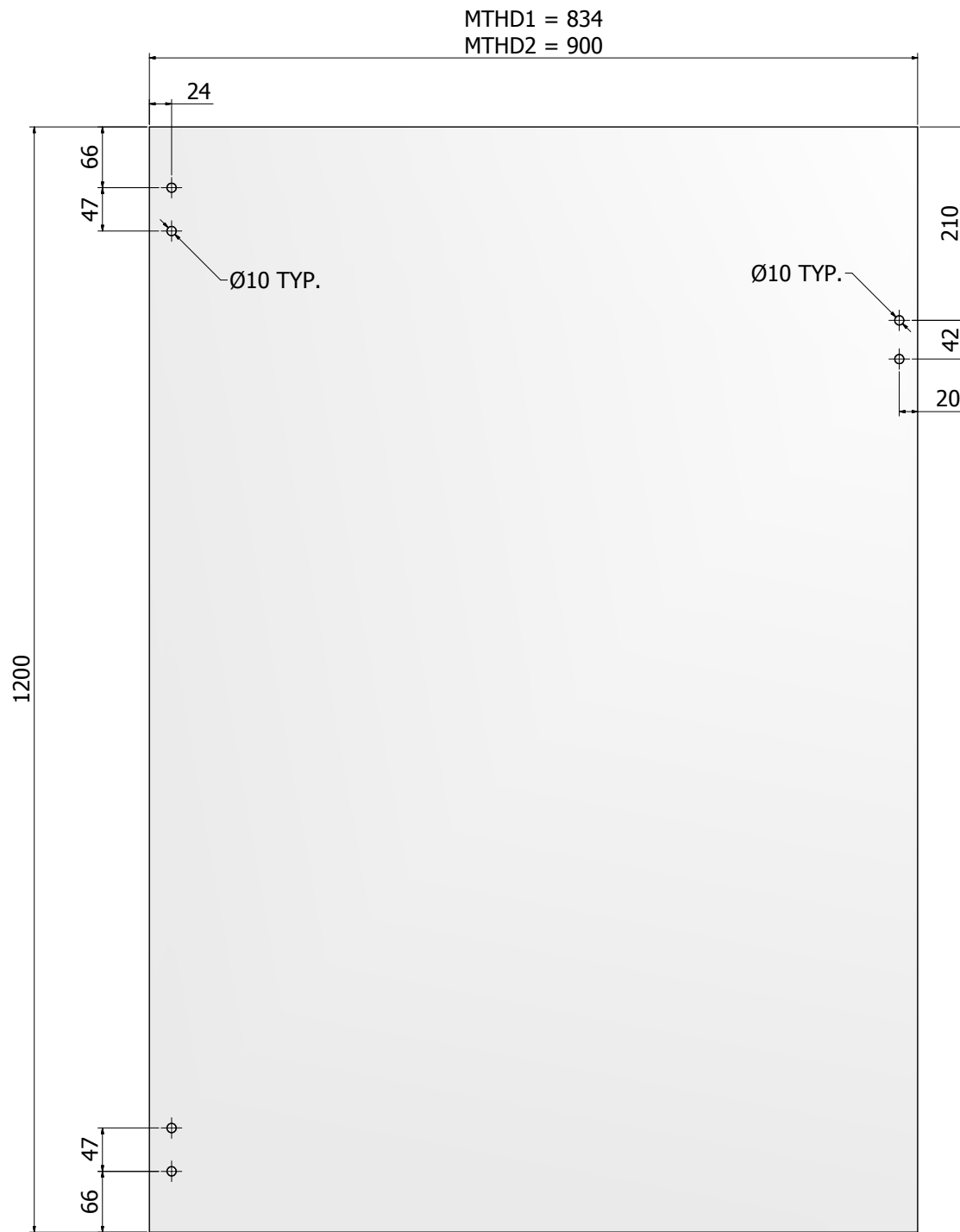
REFER TO PREVIOUS PAGES FOR LATCH MOUNTING DETAILS

REFER TO PREVIOUS PAGES FOR SPIGOT MOUNTING DETAILS

8mm GATE

26

<p>PRODUCT CODE: MP/MTH</p>
<p>PRODUCT TYPE: METRO HINGE GATE PACKAGE WALL TO GATE TO SUIT MTHD1 / MTHD2 GATES TO SUIT MP AND INGROUND SERIES</p>
<p>AVAILABLE FINISHES: - SATIN - POLISHED</p>
<p>AUSTRALIAN STANDARDS: REGULATION No. AS1926.1 - POOL SAFETY STANDARDS REGULATION No. AS2088 - A GRADE TOUGHENED GLASS</p>
<p>GLASS INCLUDED: - METRO HINGE DOOR PANEL 1200x834mm (MTHD1) - POOL GLASS METRO HINGE PANEL 1200mm (PGMTH1200)</p>
<p>HARDWARE INCLUDED: - 90° WALL MOUNT METRO HINGE PAIR (MTH-WG) - FRICTION LATCH (FL-GG)</p>
<p>frameless direct architectural glass and hardware </p>
<p>21 ENCORE AVENUE, SOMERTON, VICTORIA AUSTRALIA 3062</p>
<p>WEBSITE: www.framelessdirect.com.au EMAIL: sales@framelessdirect.com.au</p>
<p>TEL: 03 9303 9008 FAX: 03 8339 2425</p>



PRODUCT CODE:
MTHD1 / MTHD2

PRODUCT TYPE:
METRO HINGE DOOR PANEL 1200 x 834mm
TO SUIT MTH-GG / MTH-WG HINGES
TO SUIT FL-GG LATCH

TECHNICAL DETAILS:
12mm TOUGHENED CLEAR GLASS
2mm RADIUS CORNERS
POLISHED EDGES

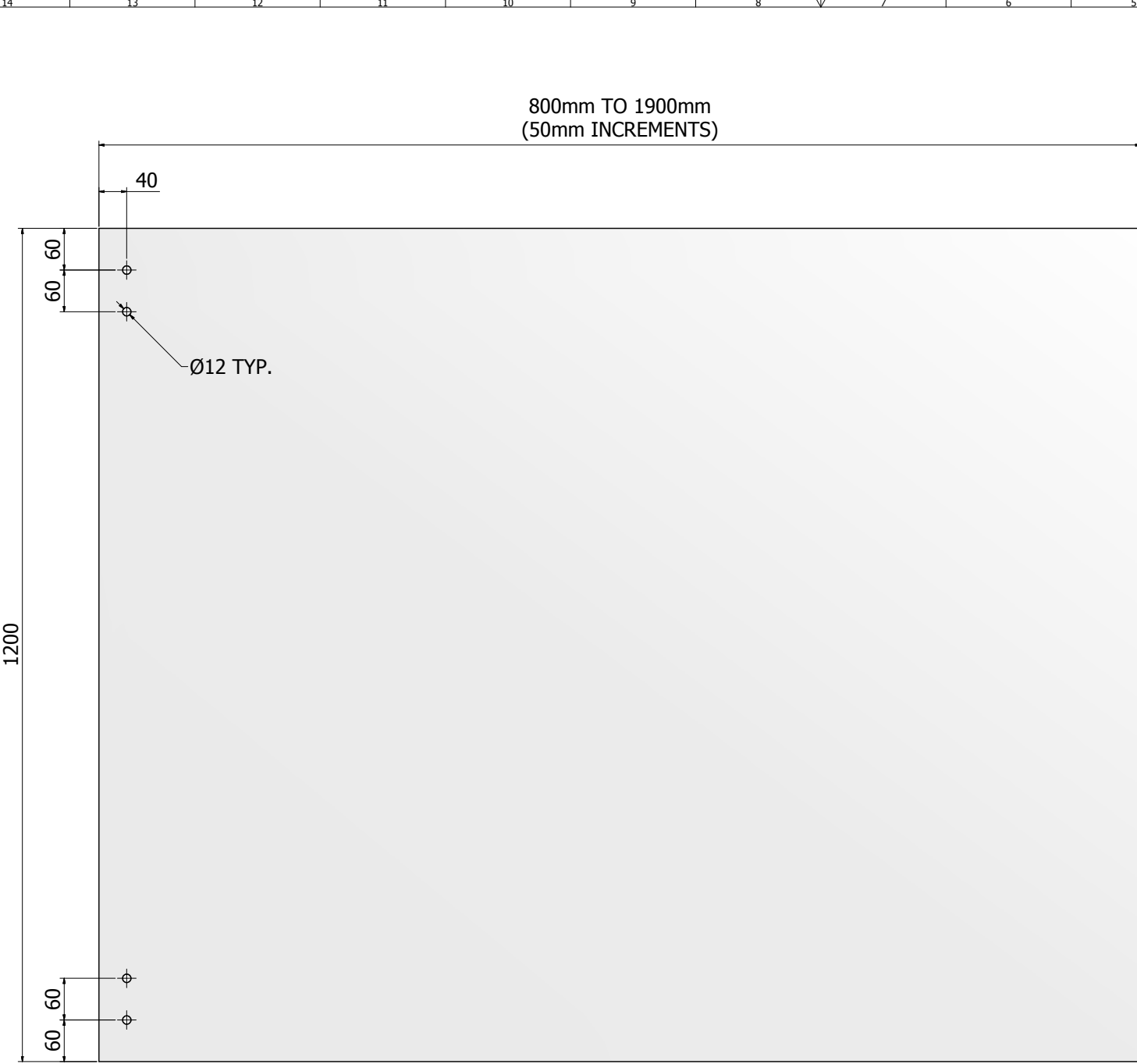
AUSTRALIAN STANDARDS:
REGULATION No. AS1926.1 - POOL SAFETY STANDARDS
REGULATION No. AS2088 - A GRADE TOUGHENED GLASS

frameless direct
architectural glass and hardware

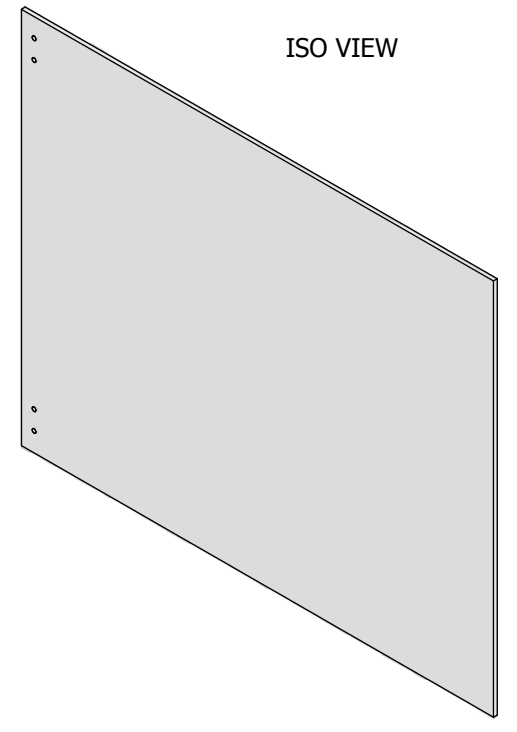
21 ENCORE AVENUE, SOMERTON, VICTORIA AUSTRALIA 3062

WEBSITE: www.framelessdirect.com.au
EMAIL: sales@framelessdirect.com.au

TEL: 03 9303 9008
FAX: 03 8339 2425



12




PRODUCT CODE:
PGMTH1200

PRODUCT TYPE:
POOL GLASS METRO HINGE PANEL 1200mm
TO SUIT MTHD POOL GATES
TO SUIT MTH-GG / MTH-WG HINGES
TO SUIT FL-GG LATCH

TECHNICAL DETAILS:
12mm TOUGHENED CLEAR GLASS
2mm RADIUS CORNERS
POLISHED EDGES

AUSTRALIAN STANDARDS:
REGULATION No. AS1926.1 - POOL SAFETY STANDARDS
REGULATION No. AS2088 - A GRADE TOUGHENED GLASS

frameless direct
architectural glass and hardware 

21 ENCORE AVENUE, SOMERTON, VICTORIA AUSTRALIA 3062

WEBSITE: www.framelessdirect.com.au
EMAIL: sales@framelessdirect.com.au

TEL: 03 9303 9008
FAX: 03 8339 2425