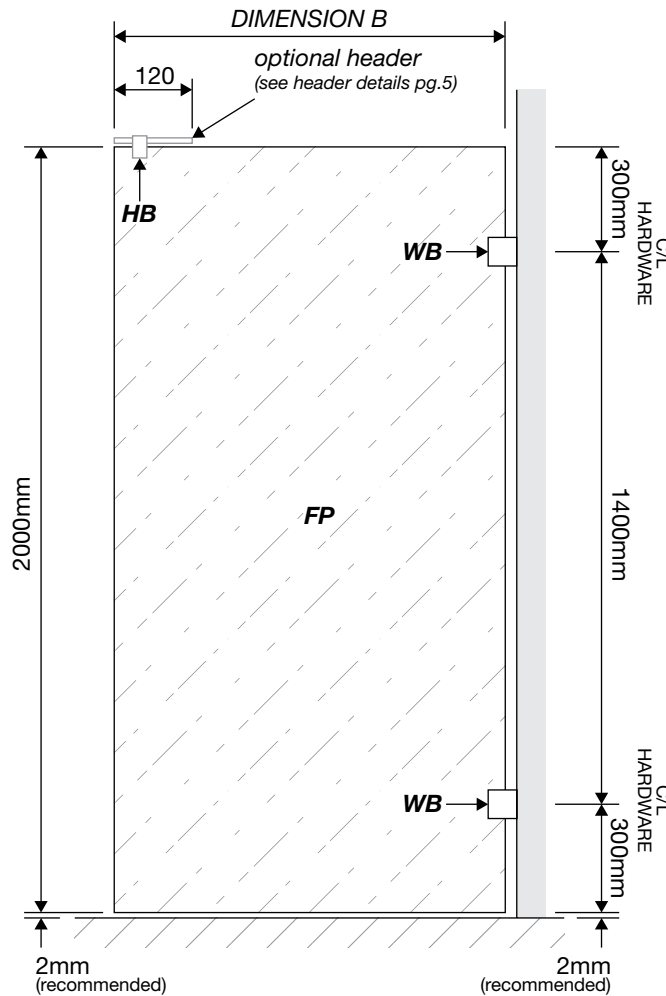
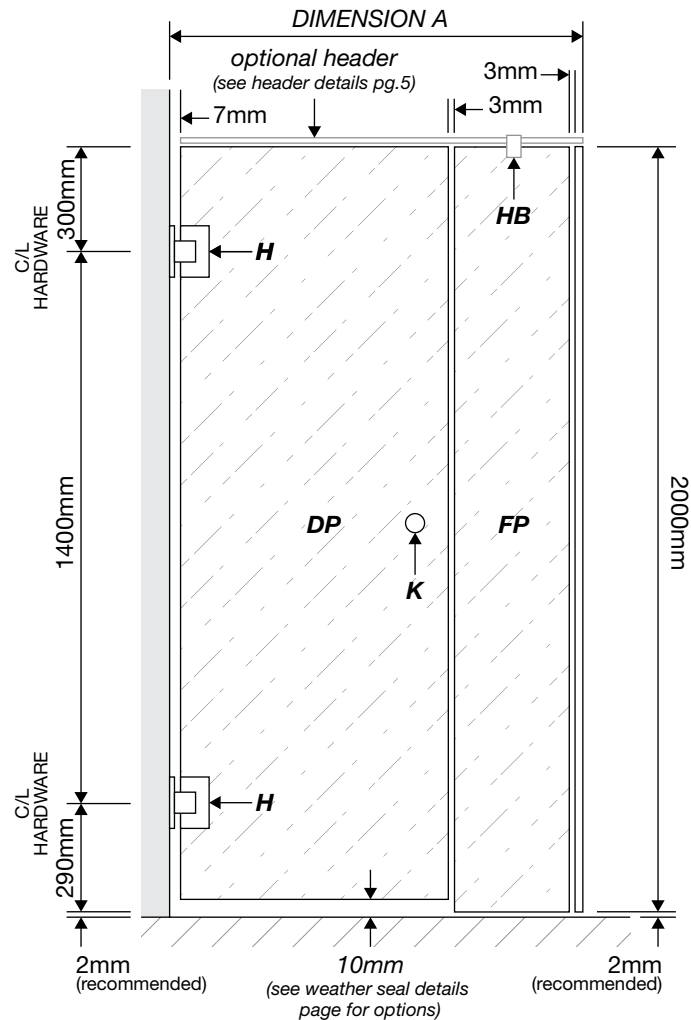


# 3-PANEL SQUARE SHOWER SERIES (technical drawings)



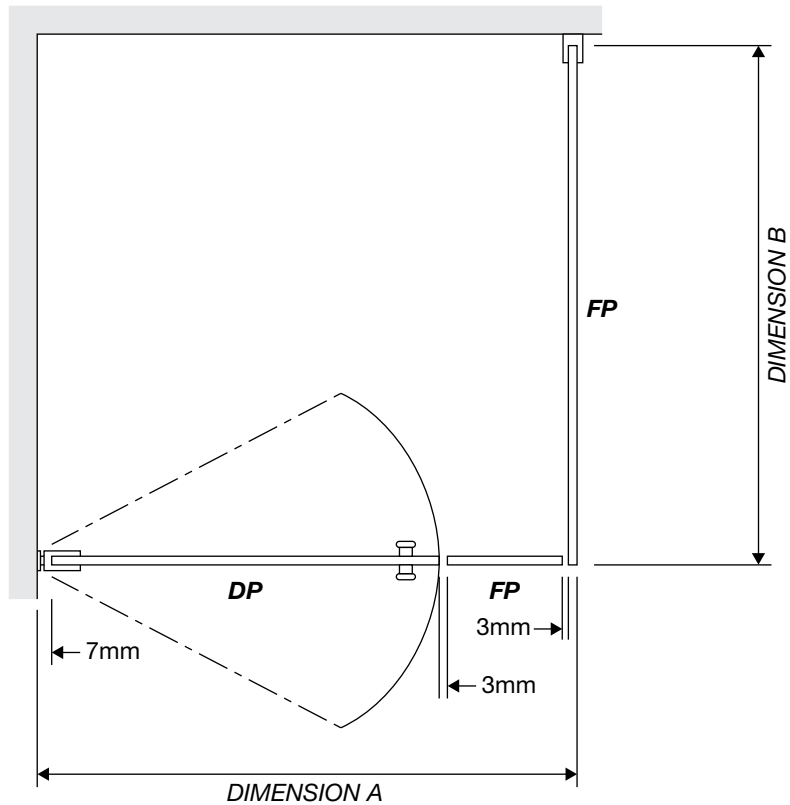
## LEGEND

<b>DIMENSION A</b>	The overall dimension including gaps between wall and all glass panels ( $\pm 1$ mm to all gaps recommended).
<b>DIMENSION B</b>	The overall dimension, NOT including gaps between glass and wall ( $4\text{mm} \pm 1$ gap is recommended).
<b>FP</b>	Shower screen fixed glass panel (FP Glass Series).
<b>DP</b>	Shower screen door glass panel with hinge cutouts and hole for selected door knob (DP Glass Series).
<b>H</b>	Wall-to-Glass Hinge x2
<b>WB</b>	Wall Bracket x2
<b>HB</b>	Header Bracket (optional)
<b>K</b>	Knob x1

\*\* All glass is 10mm clear toughened. \*\*

ELEVATION DRAWING

# 3-PANEL SQUARE SHOWER SERIES (technical drawings)



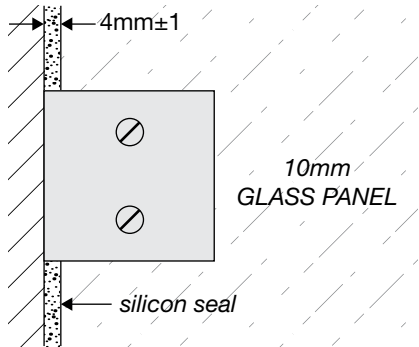
**Dimension A**, is the overall dimension including gaps between wall and all glass panels ( $\pm 1$ mm to all gaps recommended).

**Dimension B**, is the overall dimension NOT including the gaps between glass and wall ( $4\text{mm} \pm 1$  gap is recommended).

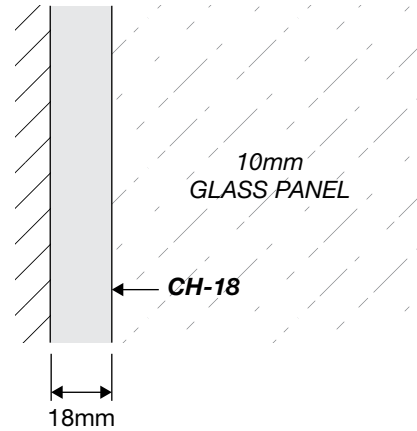
Between fixed panel and wall, silicon beading is required.

# WALL/FLOOR MOUNTING APPLICATIONS

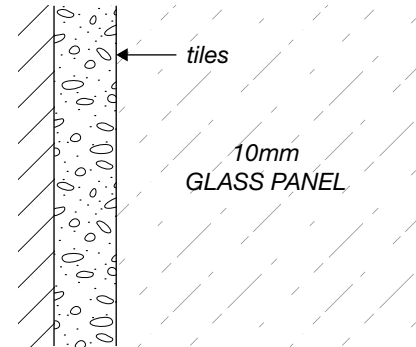
## 1/ CLAMP



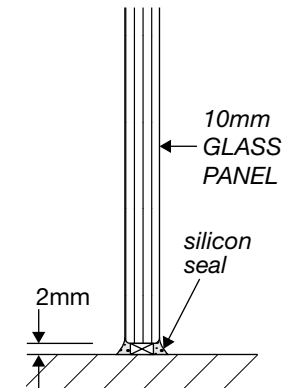
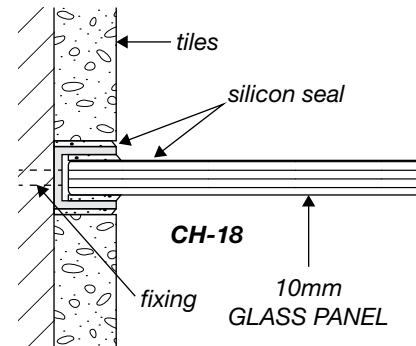
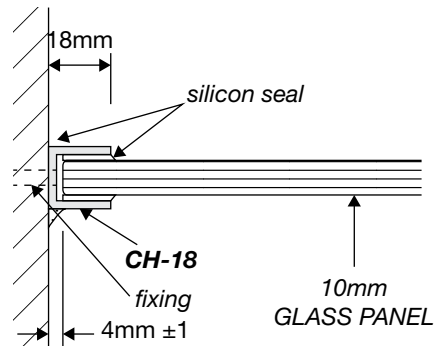
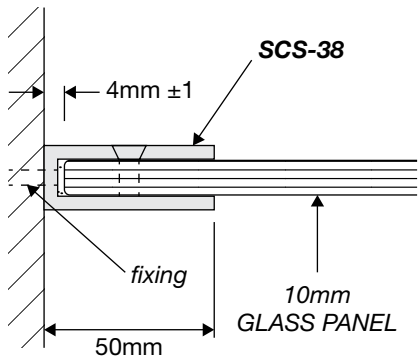
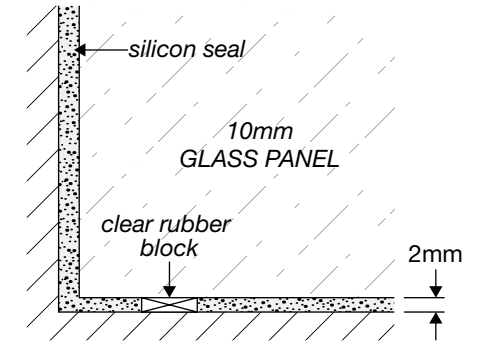
## 2/ CHANNEL



## 3/ REBATED CHANNEL (INTO TILES)



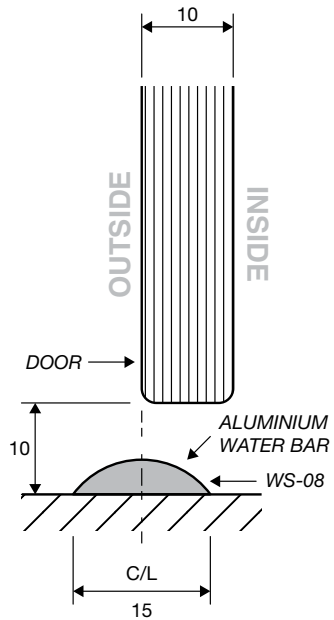
## 4/ GLASS-TO-FLOOR SEAL



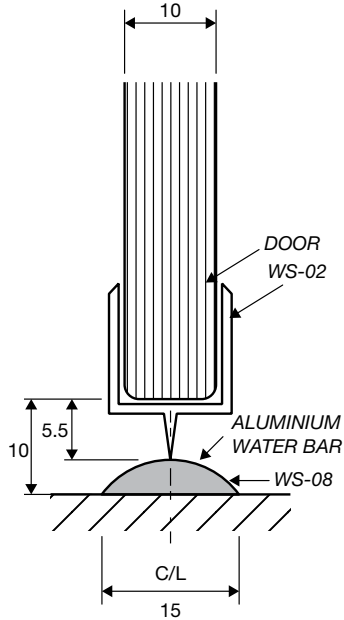
WALL MOUNT DRAWINGS

# CLEAR WATER SEAL APPLICATIONS

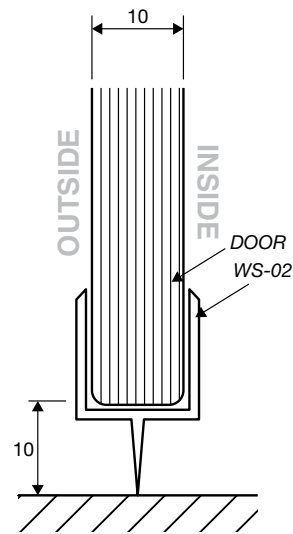
OPTION 1



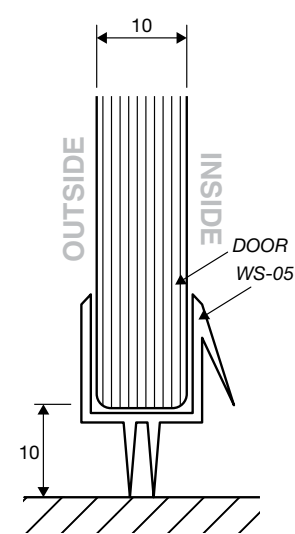
OPTION 2



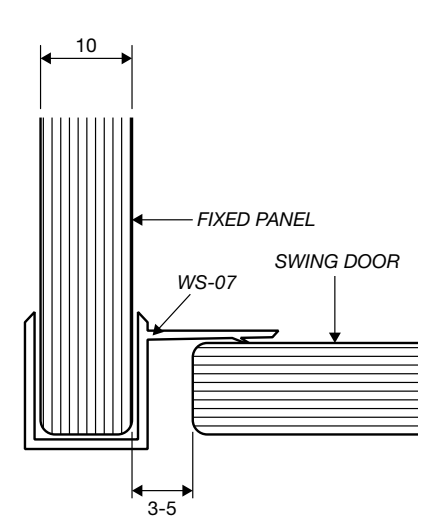
OPTION 3



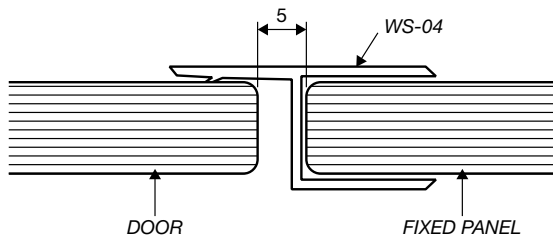
OPTION 4



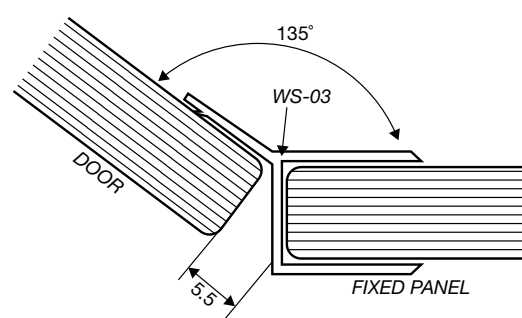
OPTION 5



OPTION 6 (FLOOR TO FIXED PANEL SEAL)

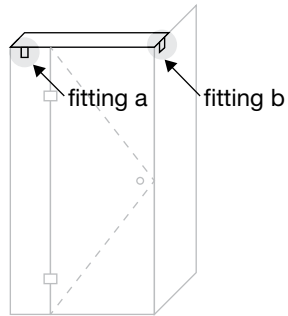


OPTION 7 (135° JOINT SEAL)

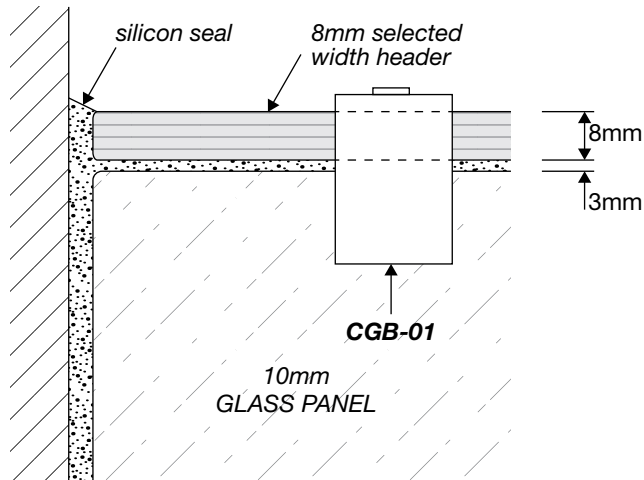


SEAL APPLICATION DRAWINGS

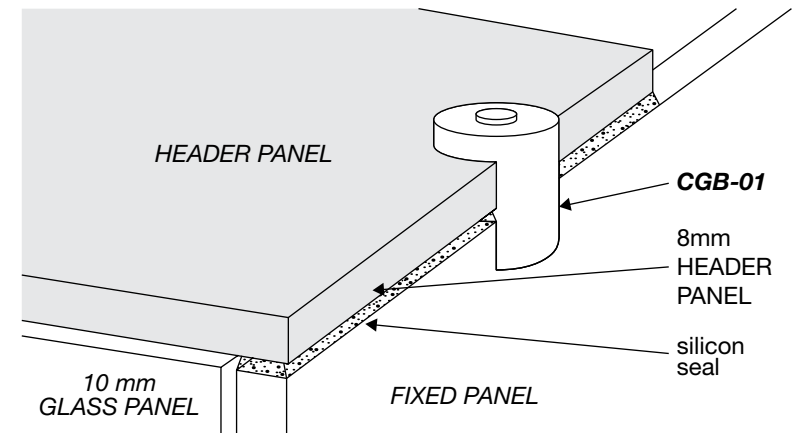
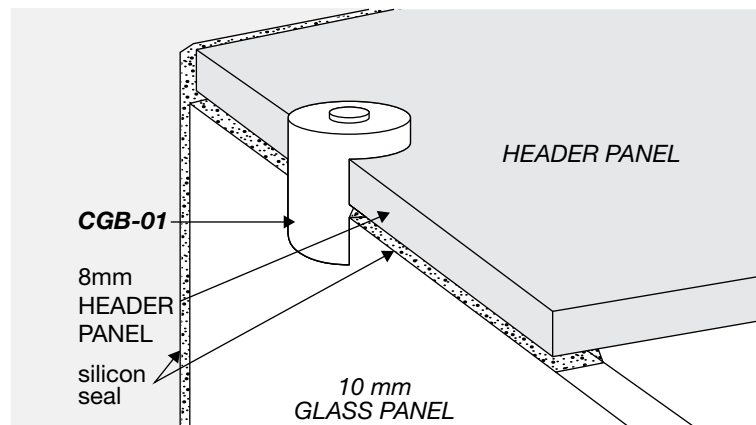
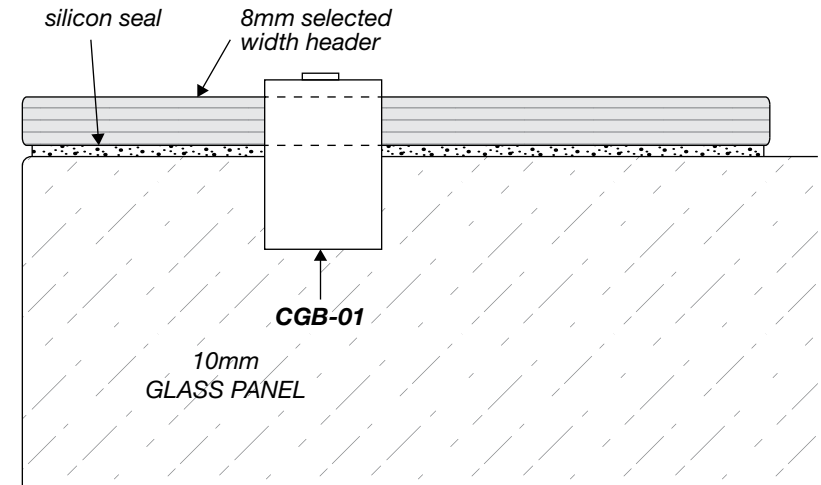
# SHOWER HEADER APPLICATION



FITTING A



FITTING B



ELEVATION DRAWING