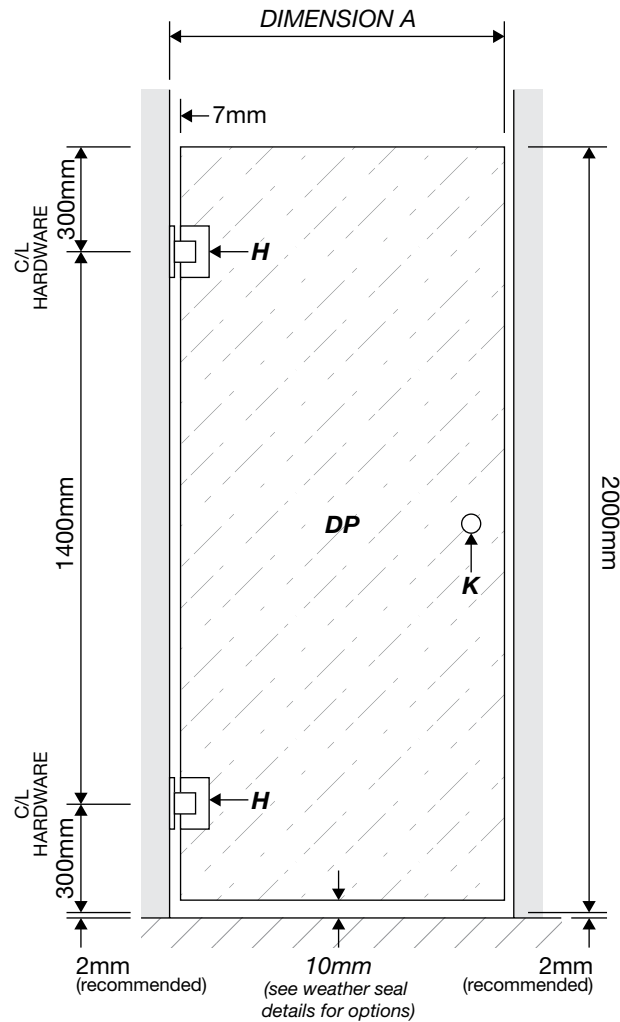


INLINE 1-PANEL SHOWER SERIES (technical drawings)



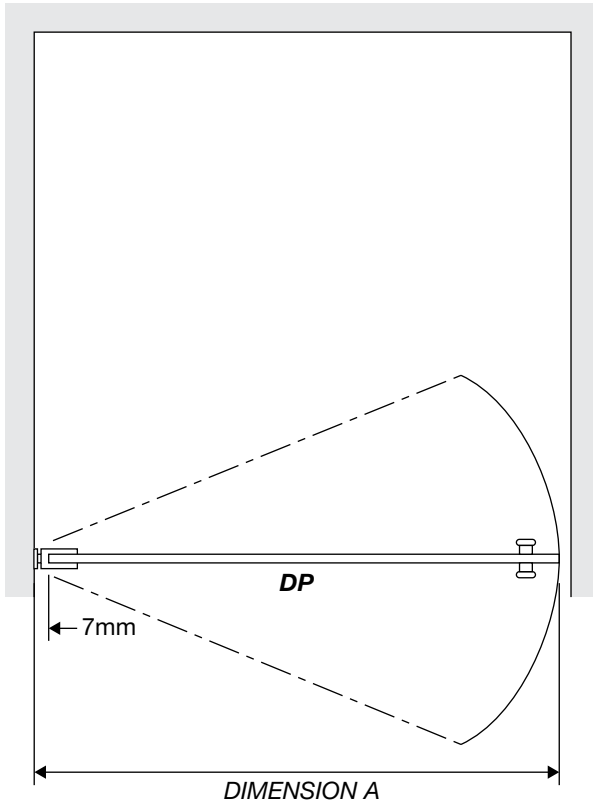
LEGEND

- DIMENSION A** The overall dimension including gaps between wall and all glass panels (± 1 mm to all gaps recommended).
- DP** Shower screen door glass panel with hinge cutouts and hole for selected door knob (DP Glass Series).
- H** Wall-to-Glass Hinge x2
- K** Knob x1

**** All glass is 10mm clear toughened. ****

ELEVATION DRAWING

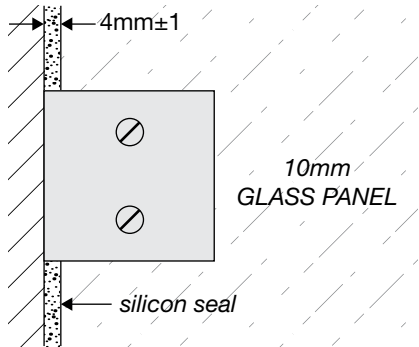
INLINE 1-PANEL SHOWER SERIES (technical drawings)



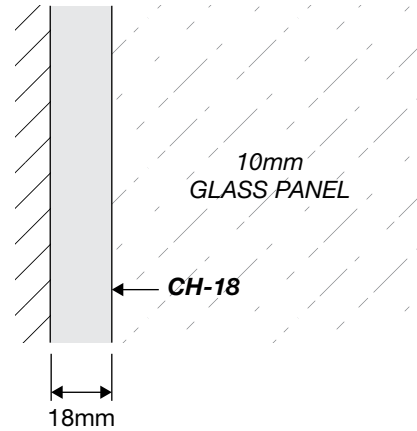
Dimension A, is the overall dimension including gaps between wall and all glass panels (± 1 mm to all gaps recommended).

WALL/FLOOR MOUNTING APPLICATIONS

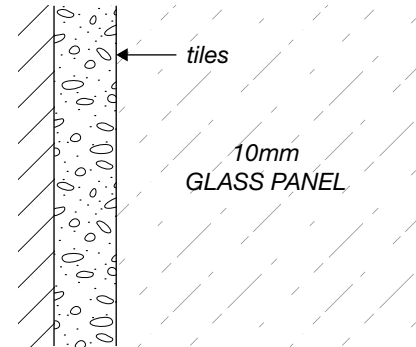
1/ CLAMP



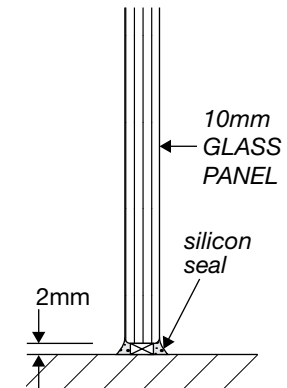
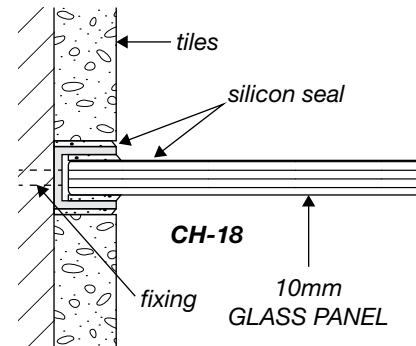
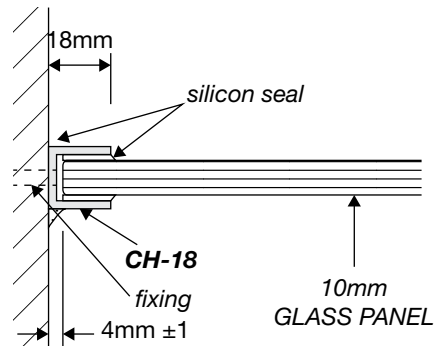
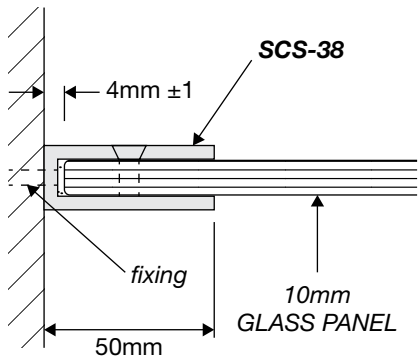
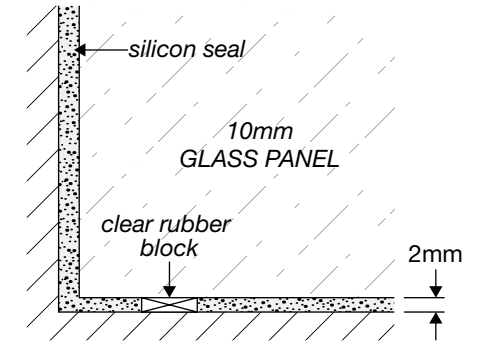
2/ CHANNEL



3/ REBATED CHANNEL (INTO TILES)



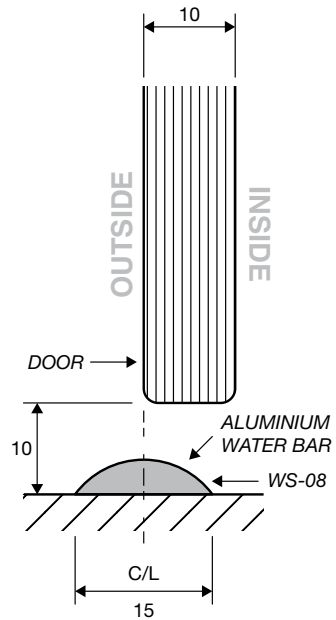
4/ GLASS-TO-FLOOR SEAL



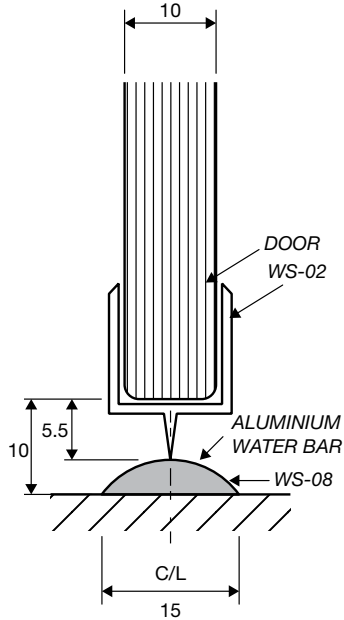
WALL MOUNT DRAWINGS

CLEAR WATER SEAL APPLICATIONS

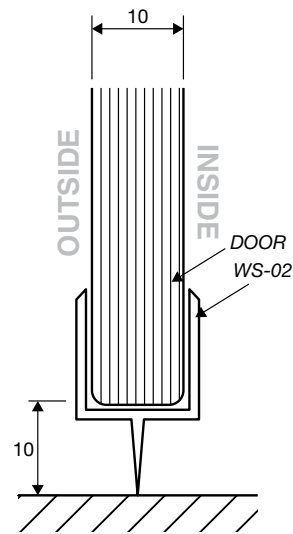
OPTION 1



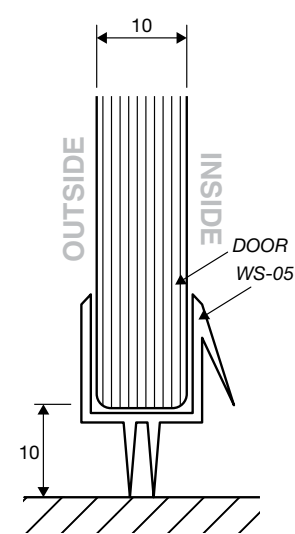
OPTION 2



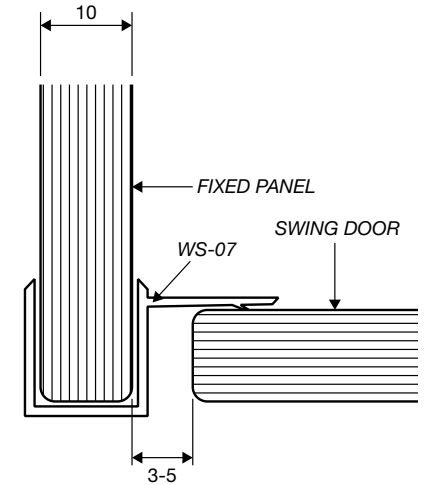
OPTION 3



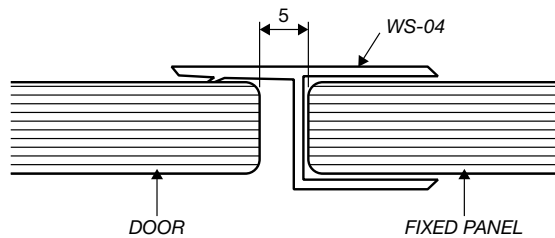
OPTION 4



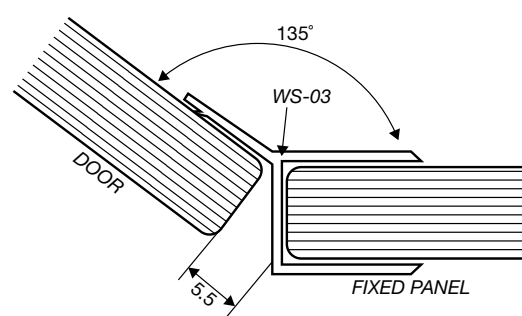
OPTION 5



OPTION 6 (FLOOR TO FIXED PANEL SEAL)



OPTION 7 (135° JOINT SEAL)



SEAL APPLICATION DRAWINGS