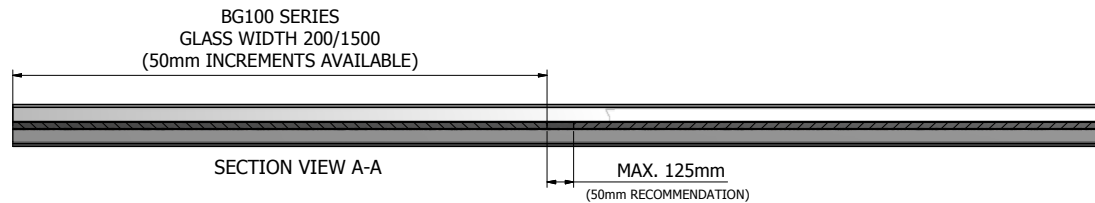
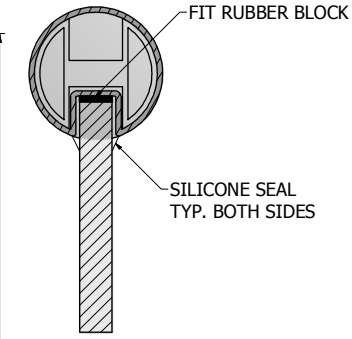
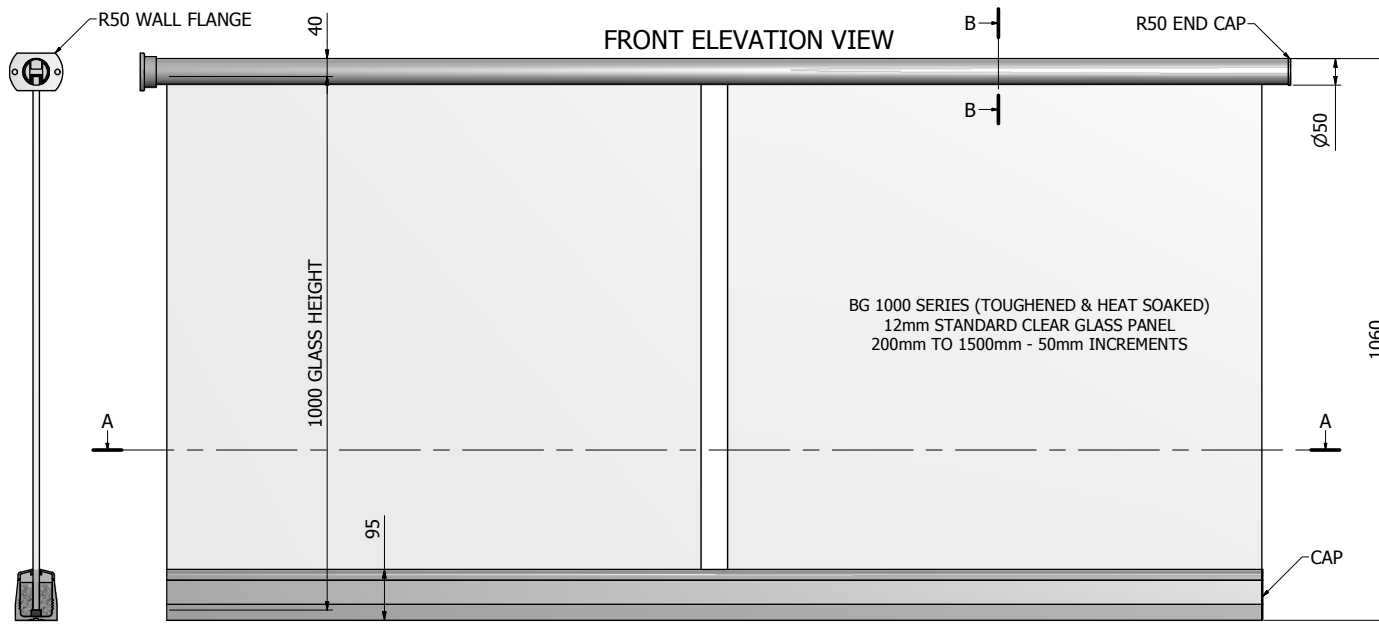




CHANNEL SERIES—TOP MOUNTED HAND RAIL
BALUSTRADE SYSTEM

INSTALLATION GUIDE

PRODUCT CODE: CH-TMH



PRODUCT CODE:
CH-TMH

PRODUCT TYPE:
CHANNEL SERIES - TOP MOUNTED HANDRAIL

AVAILABLE FINISHES:
- SATIN
- POLISHED

AUSTRALIAN STANDARDS:
REGULATION No. AS2208 - A GRADE TOUGHENED
GLASS COMPLIES TO AS1170.1-2002 SUBSECTION 3.6
BARRIERS TABLE 3.3 - MINIMUM IMPOSED ACTIONS FOR
BARRIERS TESTED AT 750 N m

GLASS:
BG 1000 SERIES
12mm CLEAR TOUGHENED

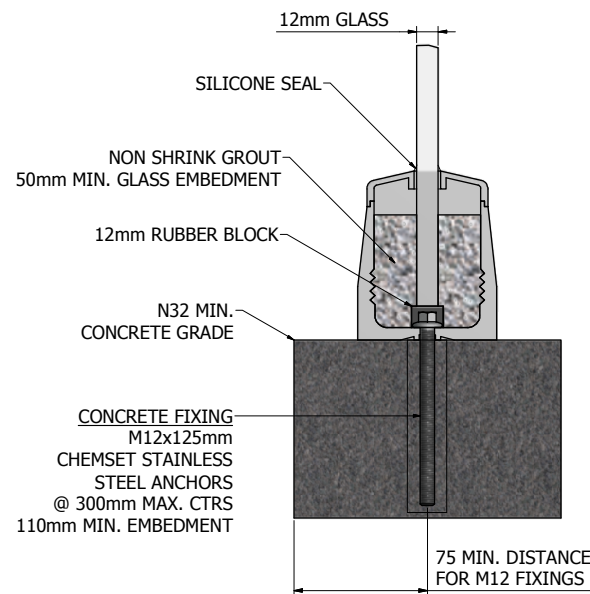
WIDTHS AVAILABLE FROM 200mm TO 1500mm
(IN 50mm INCREMENTS)

HANDRAIL:
- SR-50 SINGLE SLOT

CHANNEL
- CH 93 - ALUMINIUM CHANNEL & TOP GLAZING BEADS

RECOMMENDED BASE FIXINGS
- CHANNEL - ON CONCRETE
M12 x 125mm STAINLESS ALLTHREAD & NUT
CHEMSET CHEMICAL ANCHOR

CHANNEL MOUNTING DETAILS



frameless
direct
architectural glass and hardware **f**

21 ENCORE AVENUE, SOMERTON, VICTORIA AUSTRALIA 3062

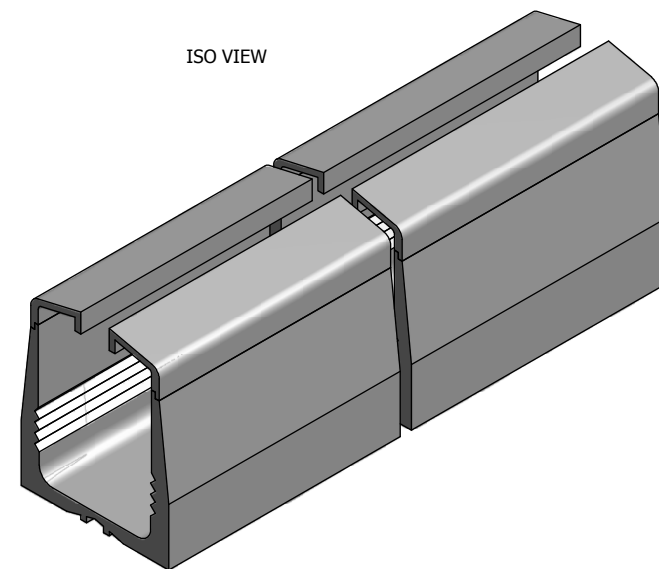
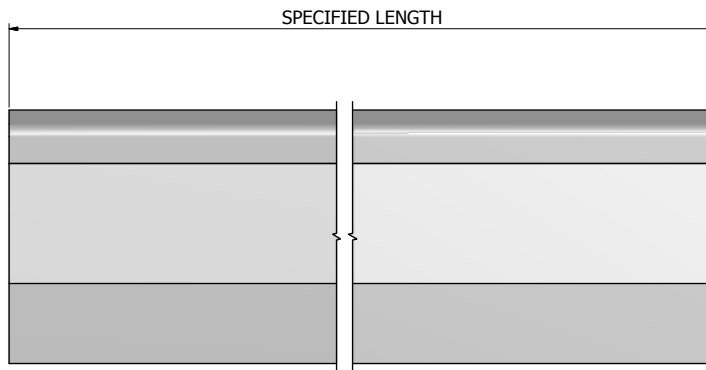
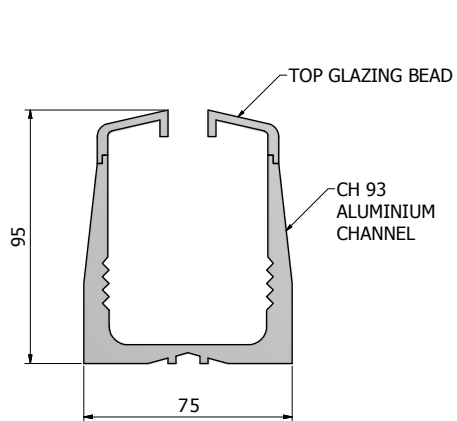
WEBSITE: www.framelessdirect.com.au
EMAIL: sales@framelessdirect.com.au

TEL: 03 9303 9008
FAX: 03 8339 2425

CH-93

HEAVY DUTY ALUMINIUM GLAZING CHANNEL
INCLUDES 2 x TOP GLAZING BEADS
AVAILABLE IN 3000mm & 6000mm LENGTHS

AVAILABLE FINISH: POWDERCOATED BRIGHT SILVER
OR MILL FINISH ALUMINIUM

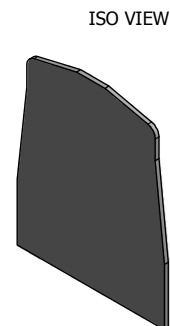
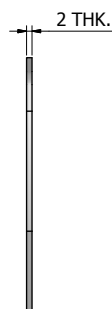
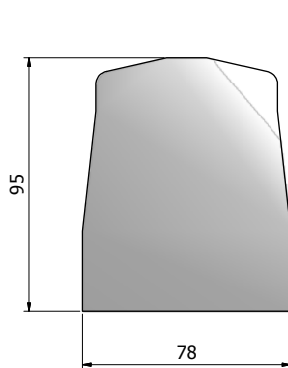


CHEC

GLAZING CHANNEL END CAP

2mm LASER CUT ALUMINIUM FLAT SHEET

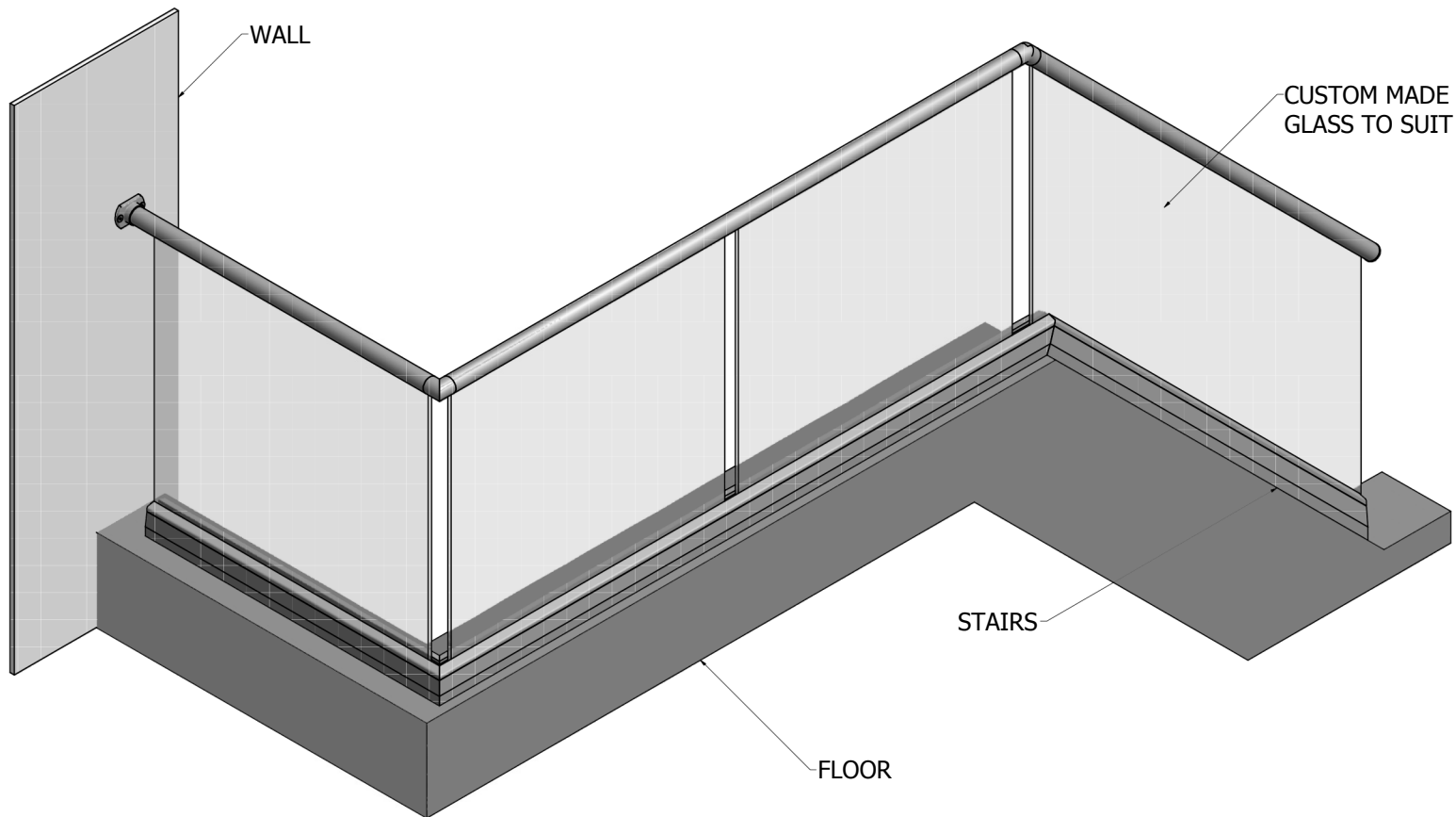
AVAILABLE FINISHES:
POWDERCOATED BRIGHT SILVER
MILL FINISH ALUMINIUM



21 ENCORE AVENUE, SOMERTON, VICTORIA AUSTRALIA 3062

WEBSITE: www.framelessdirect.com.au TEL: 03 9303 9008
EMAIL: sales@framelessdirect.com.au FAX: 03 8339 2425

frameless
direct
architectural glass and hardware 



PRODUCT CODE:
CH-TMH

PRODUCT TYPE:
CHANNEL SERIES - TOP MOUNTED HANDRAIL

AVAILABLE FINISHES:
- SATIN
- POLISHED

AUSTRALIAN STANDARDS:
REGULATION No. AS2208 - A GRADE TOUGHENED GLASS
COMPLIES TO AS1170.1-2002 SUBSECTION 3.6 BARRIERS
TABLE 3.3 - MINIMUM IMPOSED ACTIONS FOR BARRIERS
TESTED AT 750 N m

GLASS:
BG 1000 SERIES
12mm CLEAR TOUGHENED
WIDTHS AVAILABLE FROM 200mm TO 1500mm
(IN 50mm INCREMENTS)

HANDRAIL:
- SR-50 SINGLE SLOT

CHANNEL
- CH 93 - ALUMINIUM CHANNEL & TOP GLAZING BEADS

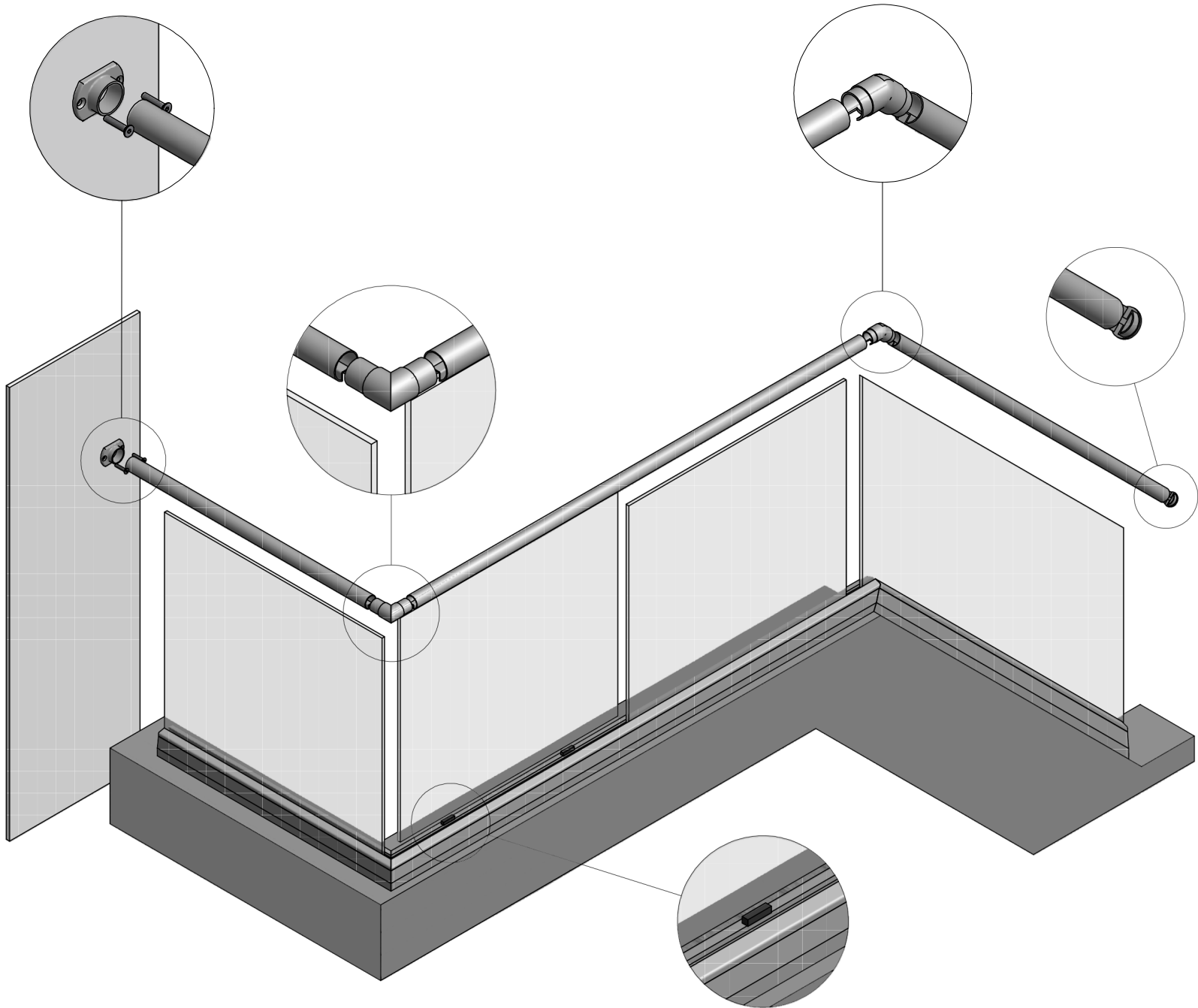
RECOMMENDED BASE FIXINGS
- CHANNEL - ON CONCRETE
M12 x 125mm STAINLESS ALLTHREAD & NUT
CHEMSET CHEMICAL ANCHOR

frameless
direct
architectural glass and hardware 

21 ENCORE AVENUE, SOMERTON, VICTORIA AUSTRALIA 3062

WEBSITE: www.framelessdirect.com.au
EMAIL: sales@framelessdirect.com.au

TEL: 03 9303 9008
FAX: 03 8339 2425



PRODUCT CODE:
CH-TMH

PRODUCT TYPE:
CHANNEL SERIES - TOP MOUNTED HANDRAIL

AVAILABLE FINISHES:
- SATIN
- POLISHED

AUSTRALIAN STANDARDS:
REGULATION No. AS2208 - A GRADE TOUGHENED GLASS
COMPLIES TO AS1170.1-2002 SUBSECTION 3.6 BARRIERS
TABLE 3.3 - MINIMUM IMPOSED ACTIONS FOR BARRIERS
TESTED AT 750 N m

GLASS:
BG 1000 SERIES
12mm CLEAR TOUGHENED
WIDTHS AVAILABLE FROM 200mm TO 1500mm
(IN 50mm INCREMENTS)

HANDRAIL:
- SR-50 SINGLE SLOT

CHANNEL
- CH 93 - ALUMINIUM CHANNEL & TOP GLAZING BEADS

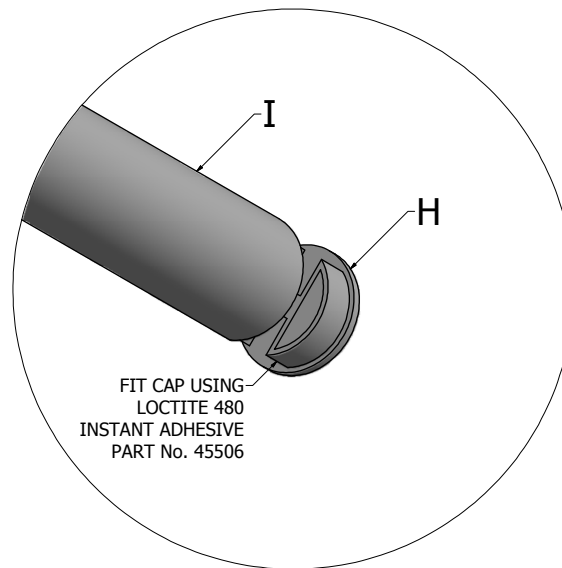
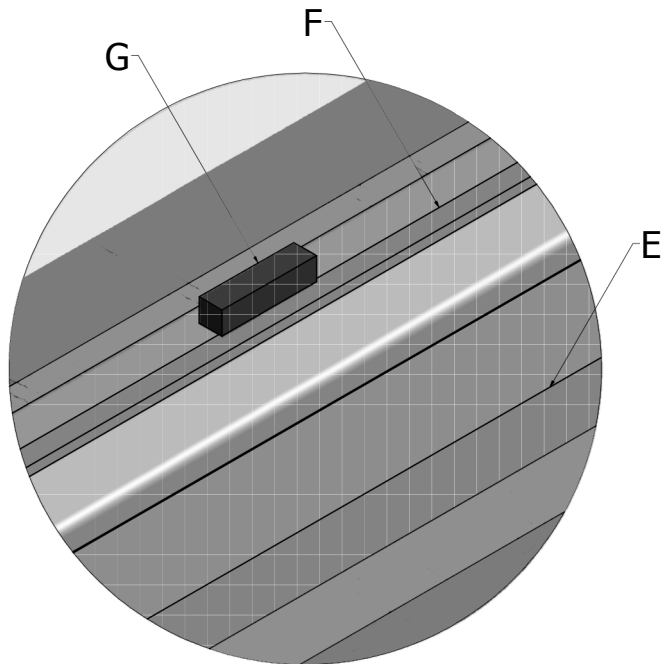
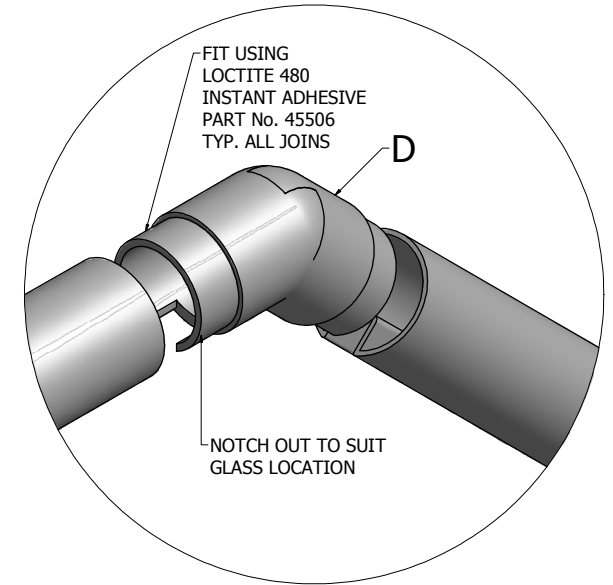
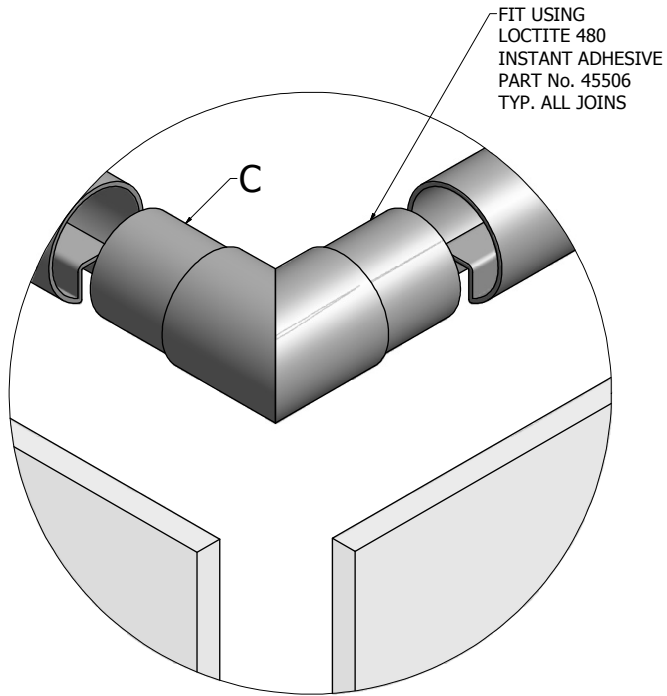
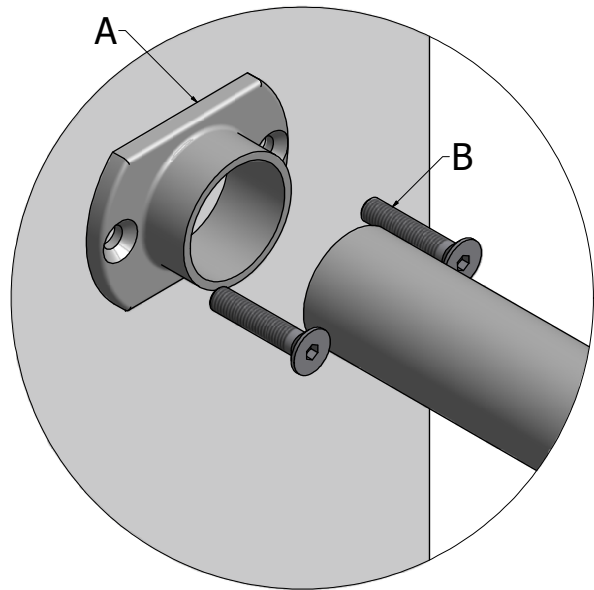
RECOMMENDED BASE FIXINGS
- CHANNEL - ON CONCRETE
M12 x 125mm STAINLESS ALLTHREAD & NUT
CHEMSET CHEMICAL ANCHOR



21 ENCORE AVENUE, SOMERTON, VICTORIA AUSTRALIA 3062

WEBSITE: www.framelessdirect.com.au
EMAIL: sales@framelessdirect.com.au

TEL: 03 9303 9008
FAX: 03 8339 2425



CHANNEL SERIES HAND RAIL & CHANNEL DETAILS

ITEM LIST

- A - R50 WALL FLANGE
- B - WALL / POST FIXING SCREW
- C - SR50 ELBOW
- D - SR50 ADJ JOINER
- E - CH-93 - ALUMINIUM CHANNEL
- F - CH-93 - GLAZING BEAD
- G - 12mm RUBBER SETTING BLOCK
- H - TSR-EC180 - SLOTTED END CAP
- I - SR-50 SINGLE SLOT - RAIL

frameless
direct
architectural glass and hardware 

21 ENCORE AVENUE, SOMERTON, VICTORIA AUSTRALIA 3062

WEBSITE: www.framelessdirect.com.au
EMAIL: sales@framelessdirect.com.au

TEL: 03 9303 9008
FAX: 03 8339 2425

1000

BG 1000 - 200mm TO 1500mm
INCREMENTS OF 50mm

12

ISO VIEW

<p>PRODUCT CODE: BG 1000</p>
<p>PRODUCT TYPE: BALUSTRADE GLASS PANEL 1000mm</p>
<p>TECHNICAL DETAILS: 12mm TOUGHENED CLEAR GLASS 2mm RADIUS CORNERS POLISHED EDGES</p>
<p>AUSTRALIAN STANDARDS: REGULATION No. AS2208 - A GRADE TOUGHENED GLASS</p>
<p>frameless <i>direct</i> architectural glass and hardware </p>
<p>21 ENCORE AVENUE, SOMERTON, VICTORIA AUSTRALIA 3062</p>
<p>WEBSITE: www.framelessdirect.com.au EMAIL: sales@framelessdirect.com.au</p>
<p>TEL: 03 9303 9008 FAX: 03 8339 2425</p>