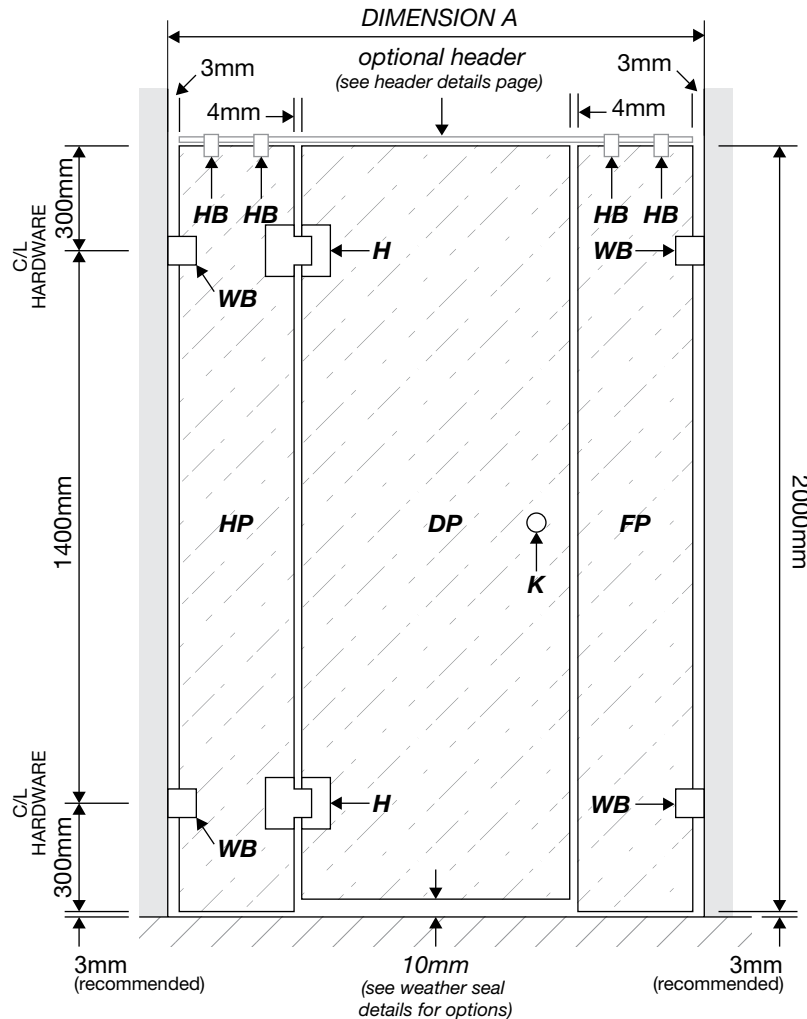


# ELITE 3 PANEL INLINE SHOWER SERIES (technical drawings)



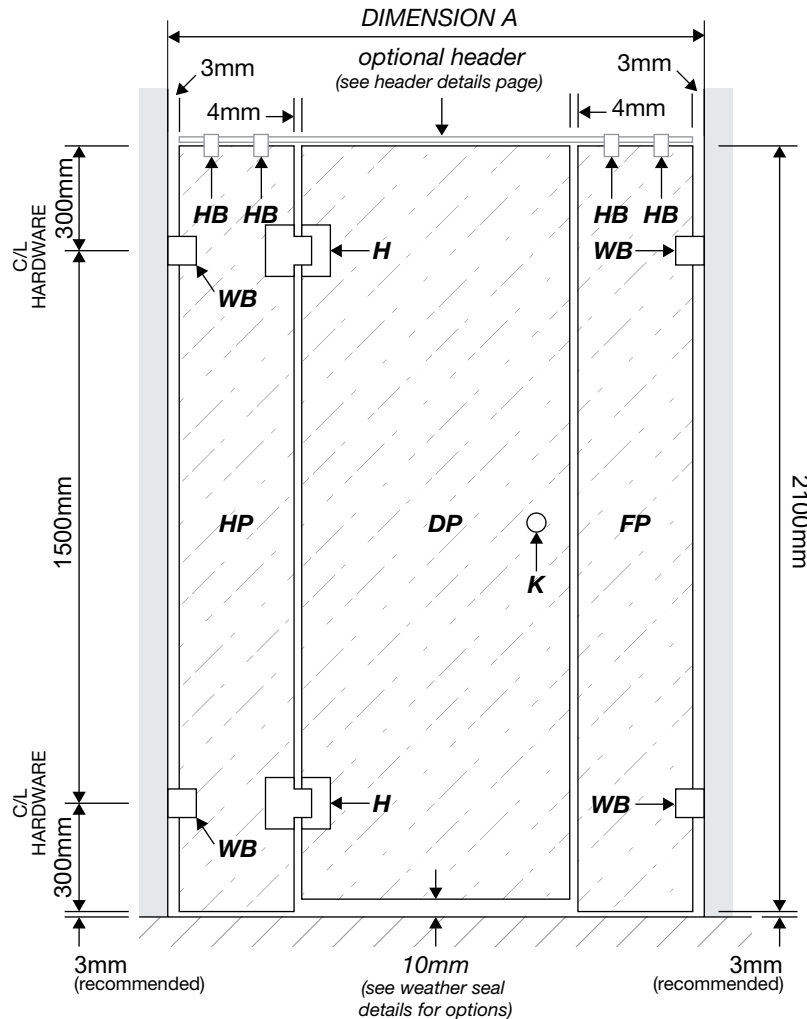
## LEGEND

- |           |  |
|-----------|--|
| <b>FP</b> | Shower screen fixed glass panel (FP Glass Series).   |
| <b>DP</b> | Shower screen door glass panel with hinge cutouts and hole for selected door knob (DP Glass Series). |
| <b>HP</b> | Shower screen hinge glass panel with two cutouts for door panel hinges (HP Glass Series).            |
| <b>H</b>  | Glass-to-Glass Hinge x2  |
| <b>WB</b> | Wall Bracket x4  |
| <b>HB</b> | Header Bracket (optional)  |
| <b>K</b>  | Knob x1  |

\*\* All glass is 10mm clear toughened. \*\*

ELEVATION DRAWING

# DESIGN 3 PANEL INLINE SHOWER SERIES (technical drawings)



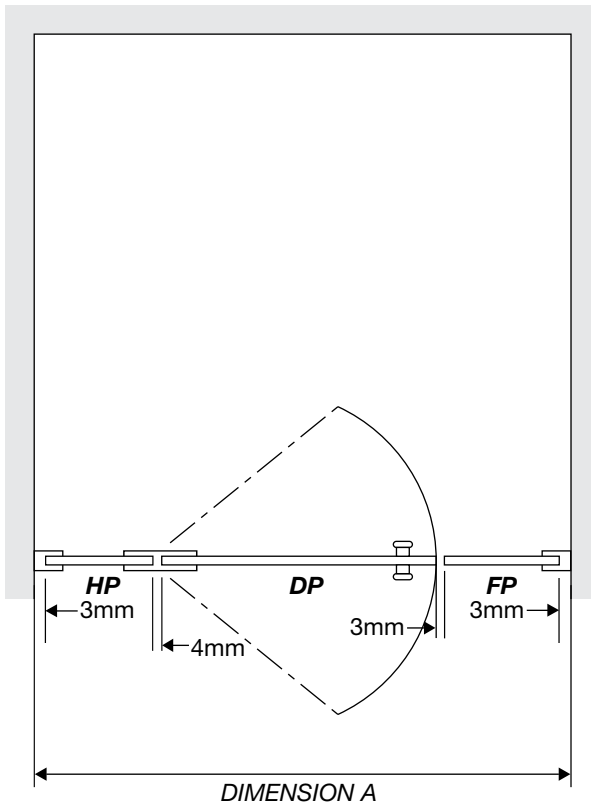
## LEGEND

<b>FP</b>	Shower screen fixed glass panel (FP Glass Series).
<b>DP</b>	Shower screen door glass panel with hinge cutouts and hole for selected door knob (DP Glass Series).
<b>HP</b>	Shower screen hinge glass panel with two cutouts for door panel hinges (HP Glass Series).
<b>H</b>	Glass-to-Glass Hinge x2
<b>WB</b>	Wall Bracket x4
<b>HB</b>	Header Bracket (optional)
<b>K</b>	Knob x1

\*\* All glass is 10mm clear toughened. \*\*

ELEVATION DRAWING

# 3 PANEL INLINE SHOWER SERIES (technical drawings)



**Dimension A**, is the overall dimension including gaps between glass panels.

Between **hinge** panel and **wall**, silicon beading is required.

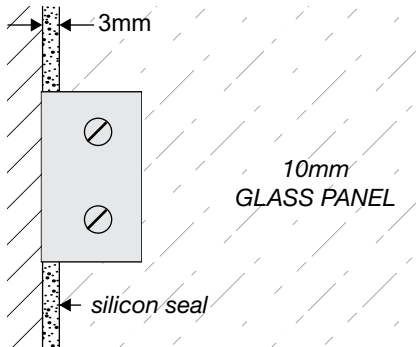
Between **fixed** panel and **wall**, silicon beading is required.

Between **hinge** panel and **header**, silicon beading is required.

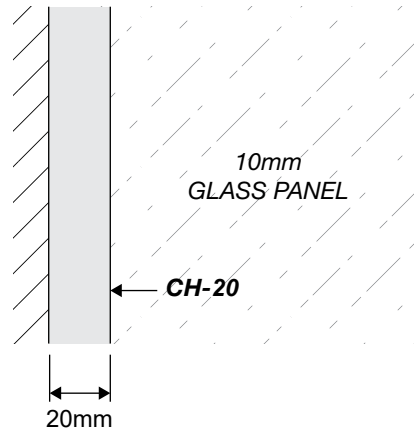
Between **fixed** panel and **header**, silicon beading is required.

# WALL/FLOOR MOUNTING APPLICATIONS

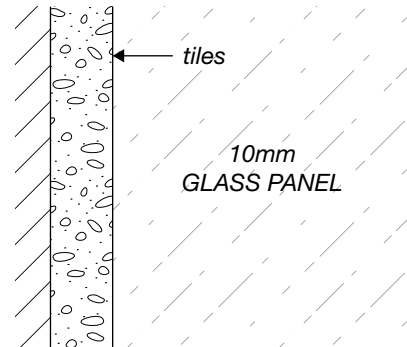
## 1/ CLAMP



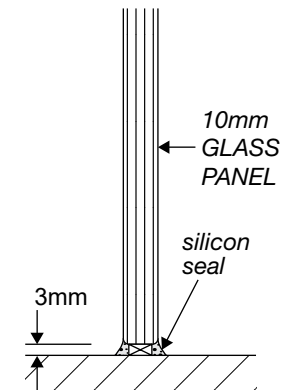
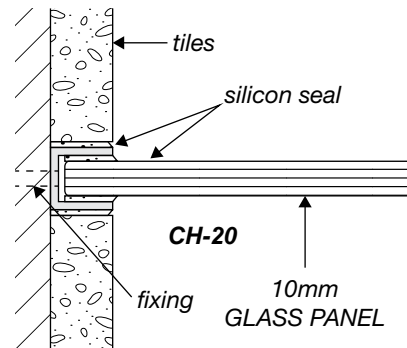
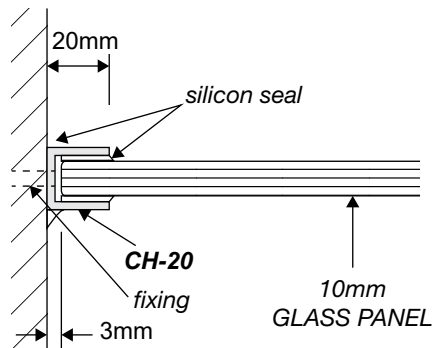
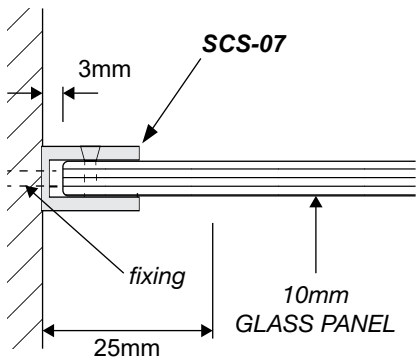
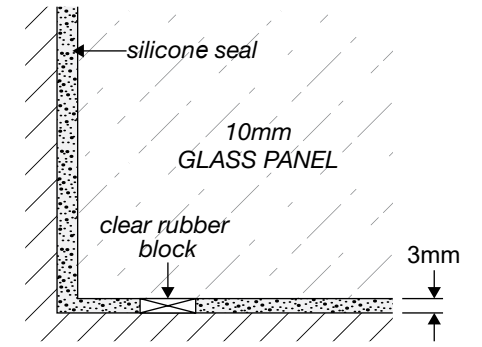
## 2/ CHANNEL



## 3/ REBATED CHANNEL (INTO TILES)



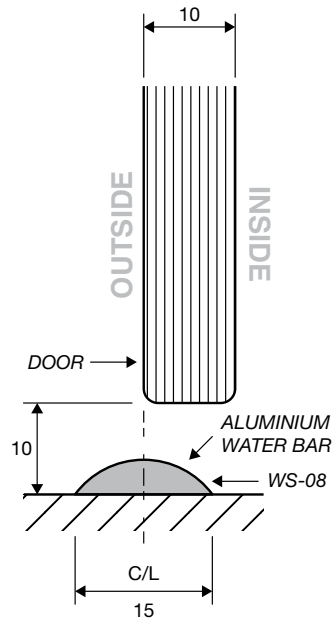
## 4/ GLASS-TO-FLOOR SEAL



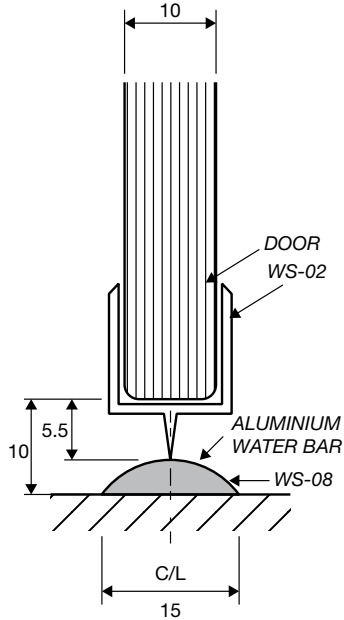
WALL MOUNT DRAWINGS

# CLEAR WATER SEAL APPLICATIONS

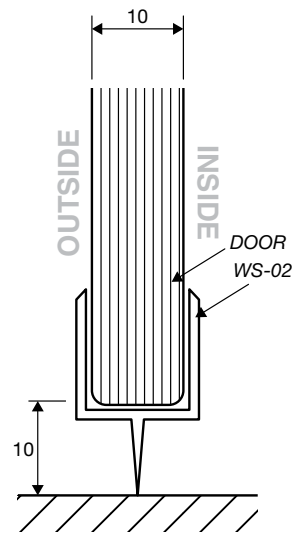
OPTION 1



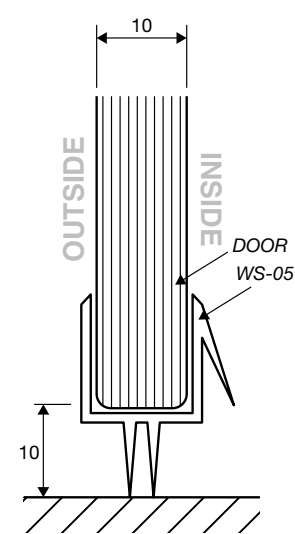
OPTION 2



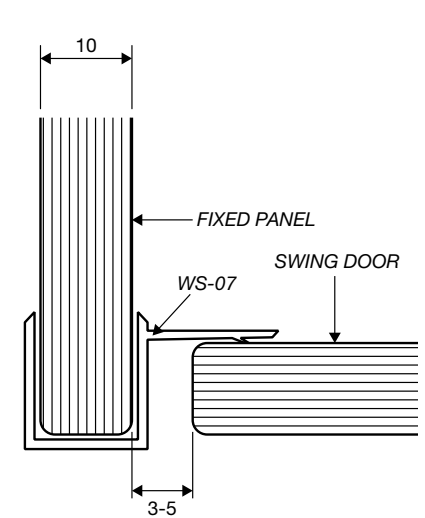
OPTION 3



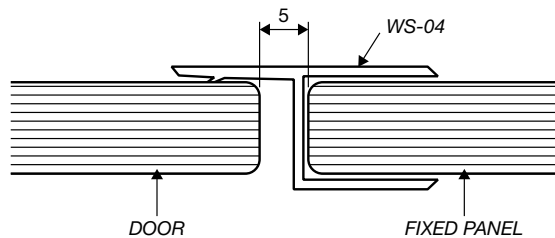
OPTION 4



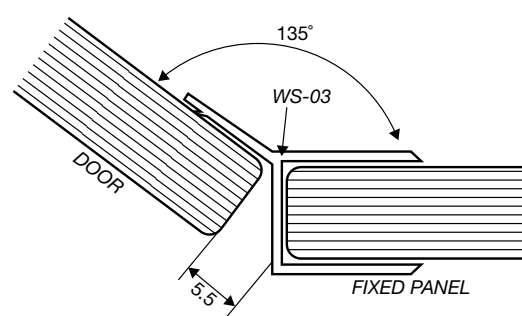
OPTION 5



OPTION 6 (FLOOR TO FIXED PANEL SEAL)



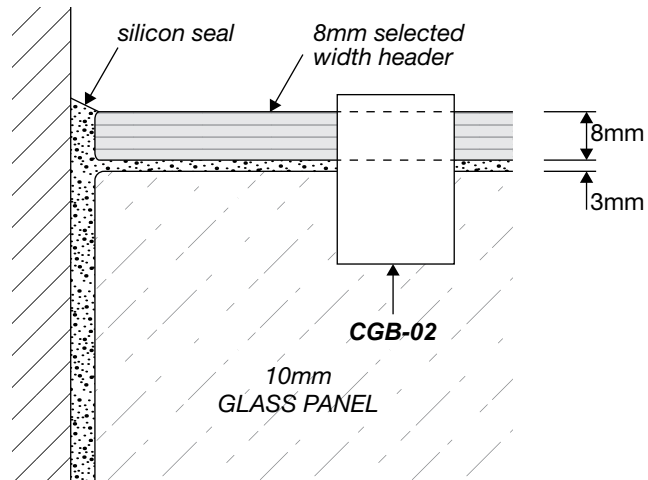
OPTION 7 (135° JOINT SEAL)



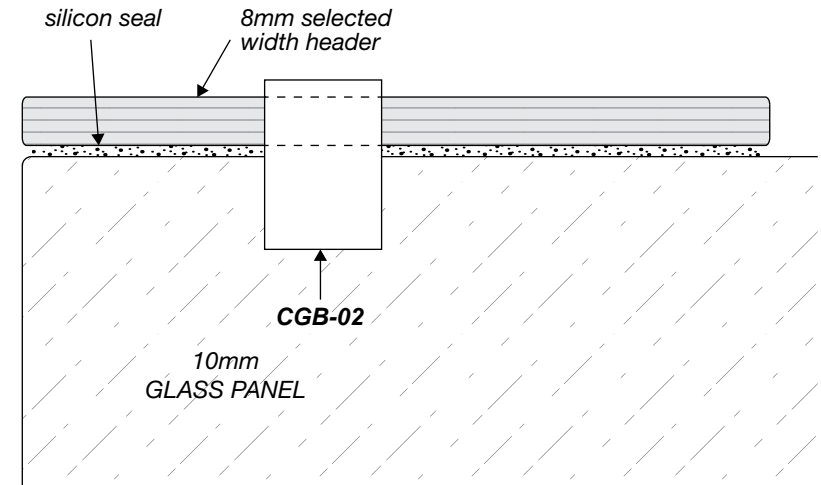
SEAL APPLICATION DRAWINGS

# SHOWER HEADER APPLICATION

FITTING A



FITTING B



ELEVATION DRAWING