



PRODUCT CODE:

SCSGM-35

PRODUCT TYPE:

GLASS TO WALL/FLOOR 90 BRACKET Square Series

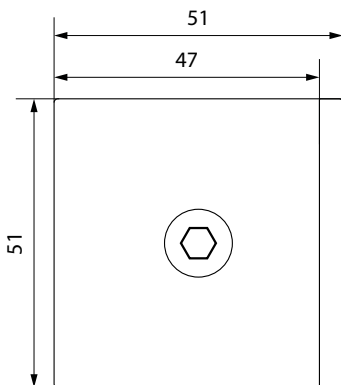
TECHNICAL DETAILS:

- Mechanical fixing of glass to wall
- L plate offsets wall fixing (SS304 wall fixing screw included)
- Useful when fitting glass close to a corner
- Suitable for 10mm glass
- Material : Solid Brass
- Finishes : Chrome Plated, Brushed Electroplated. PVD coated

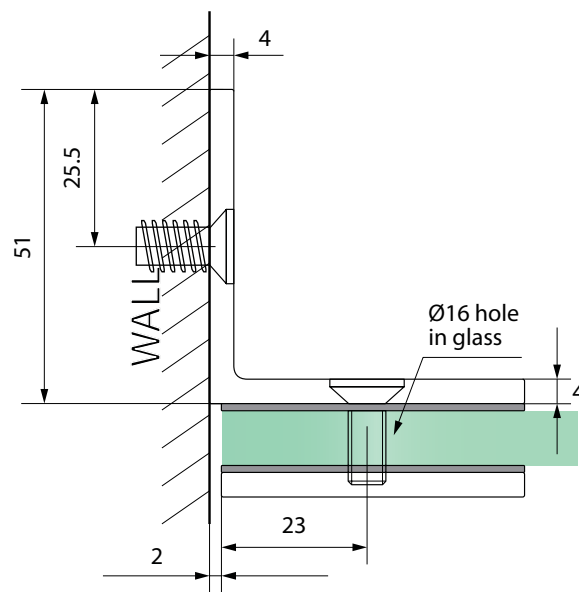
AVAILABLE FINISHING:

- **GUN METAL**

SIDE VIEW



TOP VIEW



GLASS HOLE DETAIL

