



PRODUCT CODE:

SCSBR-04

PRODUCT TYPE:

HINGE GLASS TO GLASS 180° Square Series

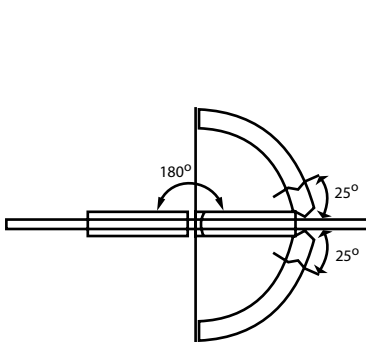
TECHNICAL DETAILS:

- Heavy duty hinges
- Square finish edges
- Dual action – opens inwards & outwards
- Manufactured in solid brass
- Clamping plates pre-glued with EPDM 119mm gaskets for easy fitting
- 180° hinge
- Suits 10mm glass
- Chrome plated & electroplated
- Open/close in either direction
- Self closing from 25°
- Max weight: 45kg

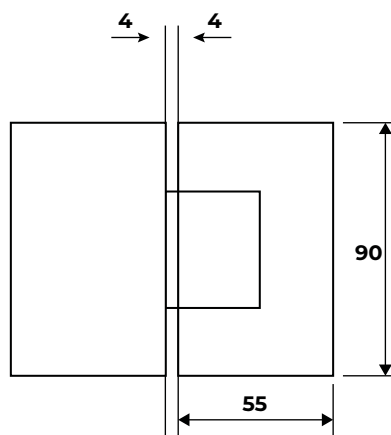
AVAILABLE FINISHING:

- **BRUSHED BRASS**

TOP VIEW



SIDE VIEW



HINGE CUTOUT DETAIL

