



PRODUCT CODE:

SCSC-10

PRODUCT TYPE:

**OFFSET WALL/FLOOR
U-BRACKET 25X50MM
SQUARE SERIES**

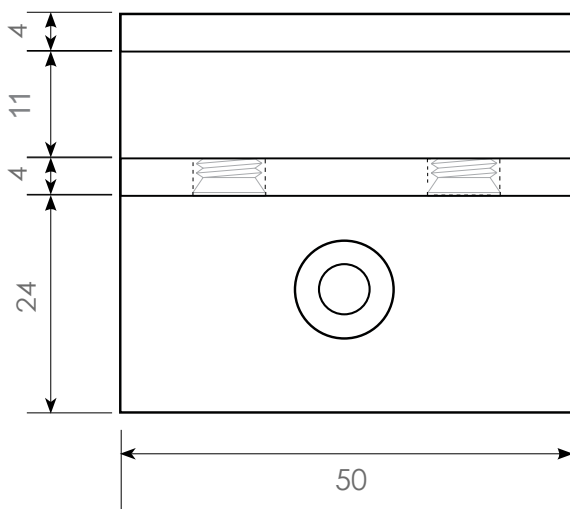
TECHNICAL DETAILS:

- Wall/Floor bracket
- Suitable for 10mm glass
- 2x compression/friction screws - Quick and flexible
- Installation as no holes in glass required
- Manufactured in solid brass
- 1x fixing screw provided and clear gaskets
- Slimline 2mm rear wall reduces silicone gap between wall and glass panel

AVAILABLE FINISHING:

- **BRUSHED COPPER**

FRONT VIEW



SIDE VIEW

