



PRODUCT CODE/

NCS BASE SPIGOT

PRODUCT TYPE/

**Non Conductive
3- Layer Composite Coating
Stainless Steel
Square Base Spigot**

TECHNICAL DETAILS/

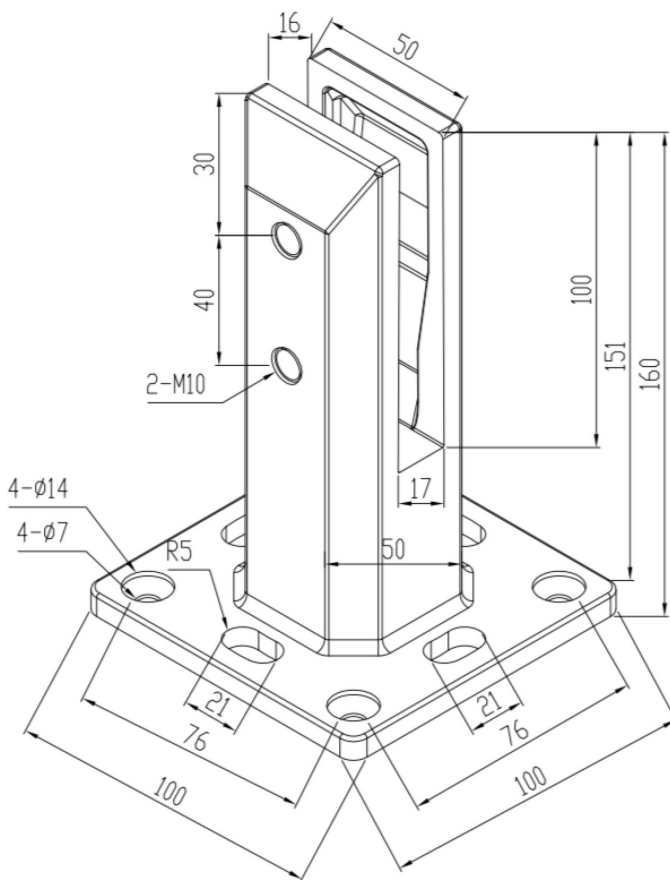
- 316 Stainless Steel
- To suit 12mm glass

AVAILABLE FINISHES/

- Silver
- Black

SPECIFICATIONS/

- Pool Fence Compliant AS1926



21 Longford Rd, Epping, 3076 Victoria Australia

info@framelessdirect.com.au
www.framelessdirect.com.au

TEL/ 03 9303 9008
FAX/ 03 8339 2425


ELECTRICAL TESTING COMPANY PTY LTD

ABN 83 417 531 869

UNIT 15, 10 VICTORIA AVENUE
CASTLE HILL NSW 2154
PHONE: (02) 8850 1380
FAX: (02) 8850 1384
EMAIL: david@electricaltestingcompany.com.au

Accredited for compliance with ISO/IEC 17025

TEST REPORT

Report No	28752 Rev A		
Client	TCT Group Pty. Ltd.		
Address	1 Harboard Street, Clyde, NSW, 2142		
Location of test	15/10 Victoria Avenue, Castle Hill, NSW, 2154		
Test item	Insulated Spigot Cover and Insulated Spigots for frameless glass pool fencing and/or ballustrading. <i>The results reported herein relate only to the item under test</i>		
Date of receipt	15 July 2021	Date of test	15 July 2021
Date of issue	19 July 2021	Due for re-test (if required)	N/A
Test equipment	Hioki 3455 High Voltage Insulation Resistance Tester, designated ETC1064		
Traceability statement	The results of the tests, calibrations and/or measurements included in this document are traceable to Australian/National Standards		
Standard	To determine the insulation properties of the spigot. Specifically, if it is considered conductive per AS3000 Clause 5.6.2.6		
Test method	ETC Test Method TM-10, Sub-method 1.		
Environmental conditions	Temperature: 21.5°C Humidity: 55% RH		
Statement of compliance	Refer to test results page 2 of this report.		
Uncertainty of Measurement	Resistance: 20.2% of reading >10.0Gig Ohm	Confidence level: 95% k-factor: 2.0	
Testing Officer	D. Holland		
Checked by	R. Watts		
Authorised Signatory	David Holland, Director		

QF-07F

13 Jan 2016

Page 1 of 2

Report No: 28752 Rev A

This test report shall not be reproduced except in full, without the written permission of the issuing laboratory

ELECTRICAL TESTING COMPANY PTY LTD

ABN 83 417 531 86

Clause	Requirement	P/F/NA
5.6.2.6.2 5.6.2.6.5	Conductive Pool Structures Conductive Fixtures and Fittings Test voltage: 1.0 kV dc Test duration: 1 minute Required insulation resistance > 1.0 MΩ Measured insulation resistance: See Results.	P P

P – Pass
F – Fail
NA – Not applicable

Table 1. Insulation Resistance

Test Sample	Identity	Test Voltage	Result	P/F/NA
Spigot Cover Flange	Composite coating	1050V dc	5,440MegΩ	P
Spigot Flange/Surface Mount	Composite coating	1050V dc	2,350MegΩ	P
Spigot Core-drill Mount	Composite coating	1050V dc	583MegΩ	P

P – Pass
F – Fail
NA – Not applicable