



TOP VIEW

SIDE VIEW

PRODUCT CODE:

SCSB-05

PRODUCT TYPE:

HINGE 135 DEGREE GLASS TO GLASS Square Series

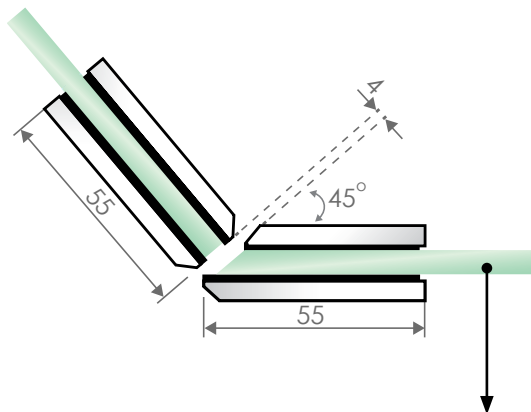
TECHNICAL DETAILS:

- 135° hinge
- Square finish edges
- Suits 10mm glass
- Ultra durable, solid brass plate
- Chrome plated & electroplated
- Open/close in either direction
- Self closing from 25°
- Max weight: 45kg

AVAILABLE FINISHING:

- **MATTE BLACK**

HINGE CUTOUT DETAIL



45° Mitred glass to suit glass panels:

- Elite: HPm-454
- Elite: HPm-554

