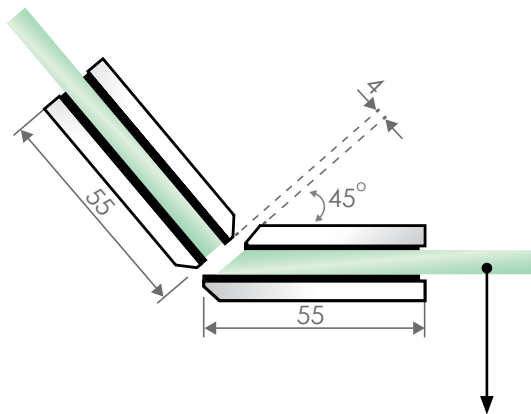


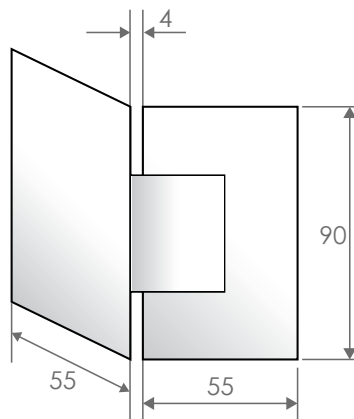


TOP VIEW

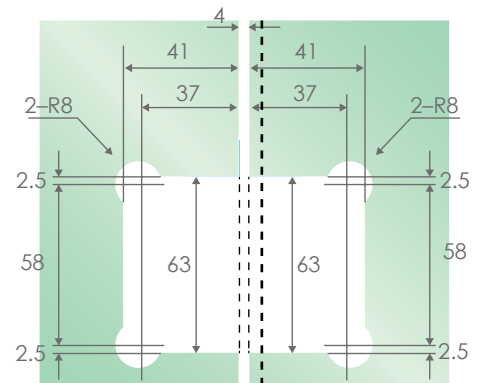
SIDE VIEW



45° Mitred glass to suit glass panels:
- Elite: HPm-454
- Elite: HPm-554



HINGE CUTOUT DETAIL



PRODUCT CODE:

SCS-05

PRODUCT TYPE:

HINGE 135 DEGREE GLASS TO GLASS Square Series

TECHNICAL DETAILS:

- 135° hinge
- Square finish edges
- Suits 10mm glass
- Ultra durable, solid brass plate
- Chrome plated & electroplated
- Open/close in either direction
- Self closing from 25°
- Max weight: 45kg

AVAILABLE FINISHING:

- **CHROME PLATED**