



PRODUCT CODE/

GCF-200

PRODUCT TYPE/

**Glass D-Clamp
 Heavy Duty-Square**

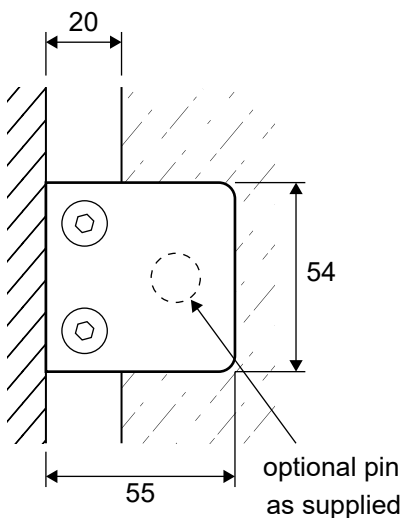
TECHNICAL DETAILS/

- Glass D-Clamp Heavy Duty Square
- Fits 12mm glass
- To suit 50mm Square Post
- Includes rubber inserts

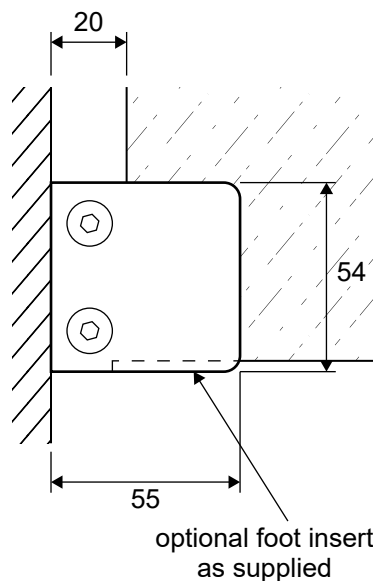
AVAILABLE FINISHES/

- Polished
- Satin
- **B4**

OPTION 1



OPTION 2



HOLE DETAIL (for optional pin)

