



PRODUCT CODE/

**GCF-200**

PRODUCT TYPE/

**Glass D-Clamp  
 Heavy Duty-Square**

TECHNICAL DETAILS/

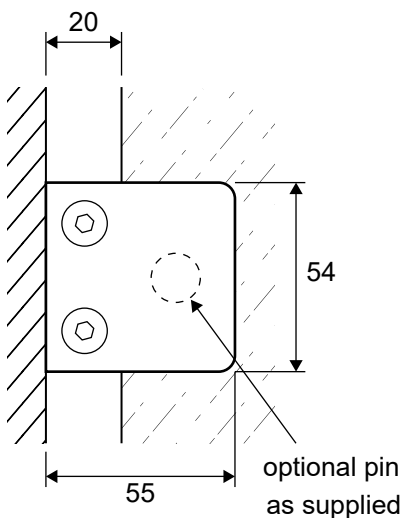
- Glass D-Clamp Heavy Duty Square
- Fits 12mm glass
- To suit 50mm Square Post
- Includes rubber inserts

AVAILABLE FINISHES/

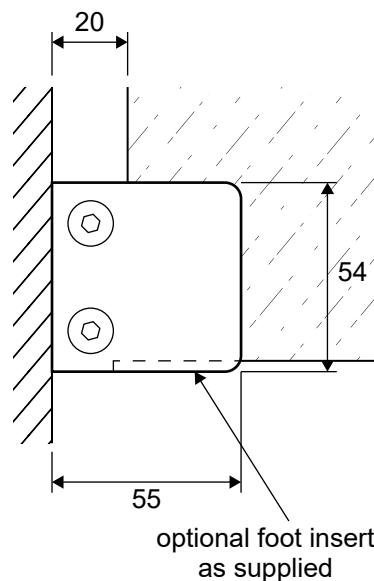
- Polished
- Satin
- Matte Black



OPTION 1



OPTION 2



HOLE DETAIL (for  
 optional pin)

