

PRODUCT TYPE:

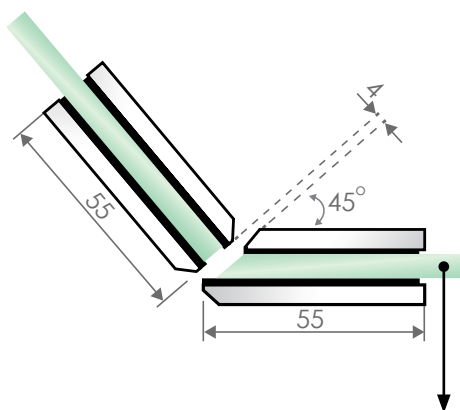
**Glass to Glass 135° Hinge
Curved Corners (Brushed Gunmetal)**

TECHNICAL DETAILS:

- Heavy duty hinge
- Square finish edges
- Dual action – opens inwards & outwards
- Manufactured in solid brass
- Clamping plates pre-glued with EPDM 1.5mm gaskets for easy fitting
- R3 Corners
- 135° hinge
- Suits 10mm glass
- Only suits 45° mitered hinge panels
- Self closing from 25°
- Max weight: 45kg (Per set of 2x hinges)

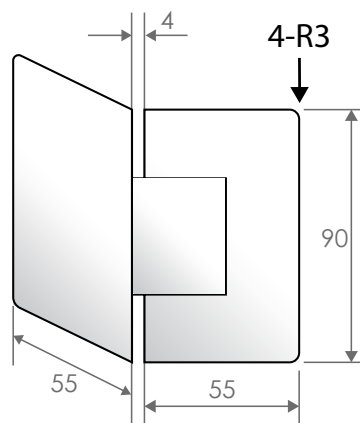


TOP VIEW



45° Mitred glass to suit glass panels:

SIDE VIEW



HINGE CUTOUT DETAIL

