

PRODUCT CODE/

ENC-SQBASE-P

PRODUCT TYPE/

**Duplex 2205 Stainless Steel
 Fully Adjustable 50mm Mini
 Post Spigot w/ Base**

TECHNICAL DETAILS/

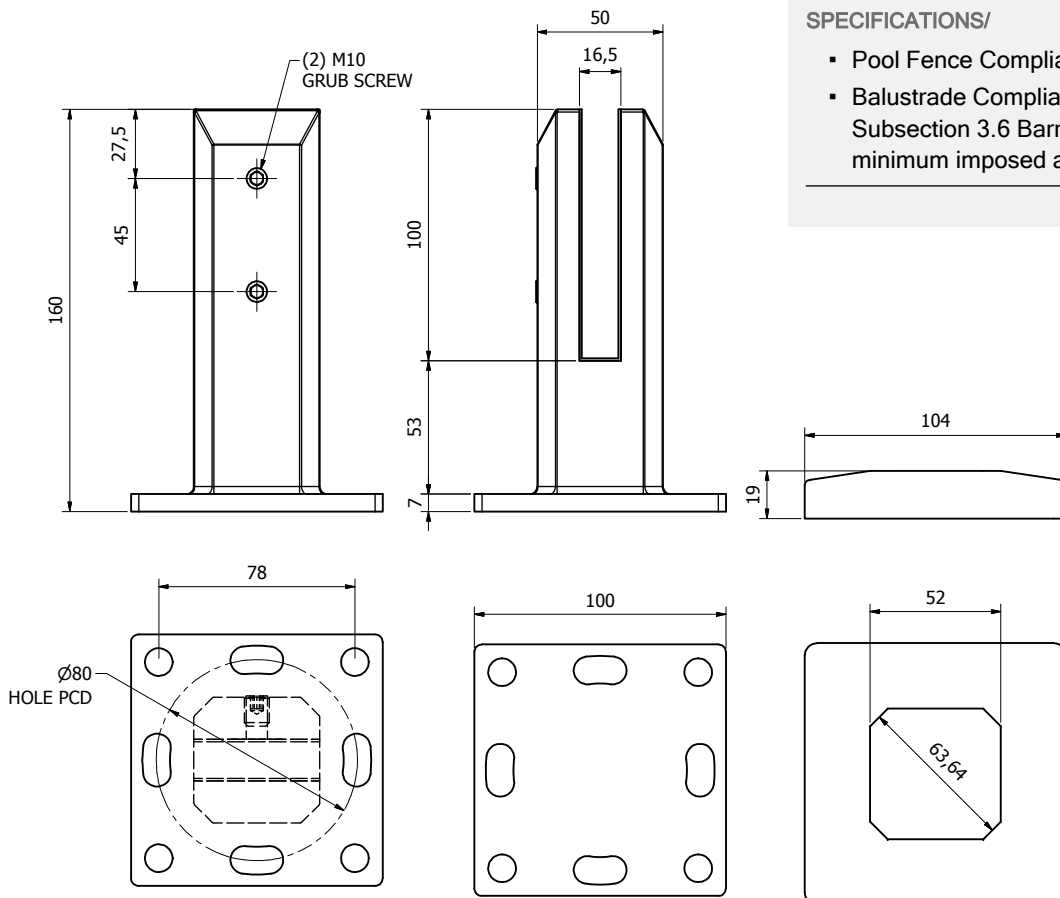
- Stainless Steel Square Mini Post 50mm
- 316 Stainless Steel
- Suitable for surface mount
- Fully Adjustable
- To suit 12mm glass

AVAILABLE FINISHES/

- Polished
- Satin
- Black

SPECIFICATIONS/

- Pool Fence Compliant AS1926
- Balustrade Compliant AS1170.1-2002 Subsection 3.6 Barriers table 3.3 minimum imposed actions for barriers



21 Encore Avenue, Somerton, Victoria Australia 3062

info@framelessdirect.com.au
<http://www.framelessdirect.com.au>

TEL/ 03 9303 9008
 FAX/ 03 8339 2425