



PRODUCT CODE:

CG-RIGI90

PRODUCT TYPE:

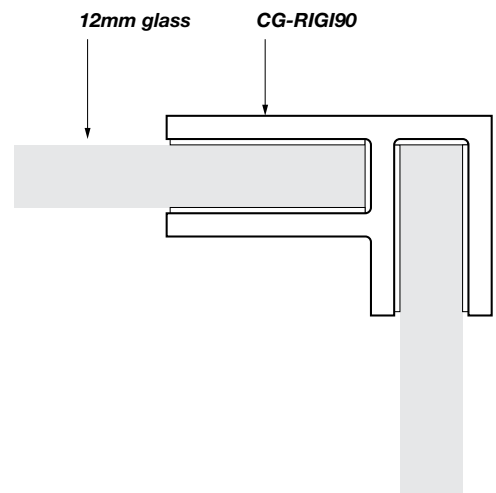
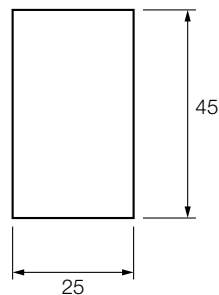
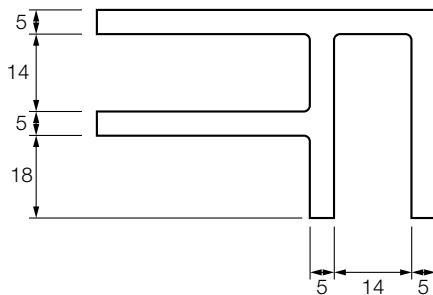
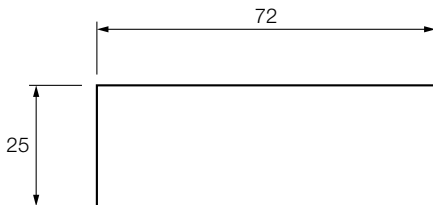
Glass/Glass 90° Corner RIGI Clamp

TECHNICAL DETAILS:

- Friction fit
- Suitable for 12mm glass
- 316 Stainless Steel

AVAILABLE FINISHED:

- Satin
- Polished
- Black



TOP VIEW