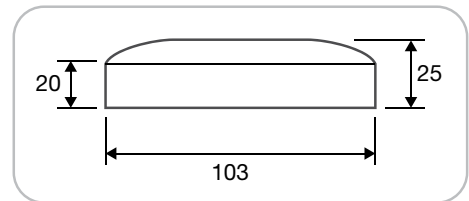
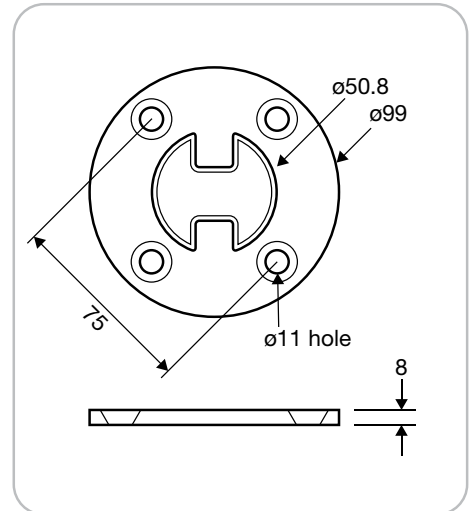


COVER PLATE DETAIL



BASE PLATE DETAIL



PRODUCT TYPE/

**Round Tube Stainless Steel  
 180° Double Slot 50.8mm & Base**

TECHNICAL DETAILS/

- Round Tube 180° Double Slot 50.8mm, with a wall thickness of 1.5mm
- Welded base plate
- Slot width 15mm x 15mm
- 316L Stainless Steel

CODE

**SRP50INT1000**

**SRP50INT1300**

AVAILABLE FINISHES/

- Polished
- Satin

DESCRIPTION

1000mm in length  
 (100mm infill)

1300mm in length  
 (90mm infill)