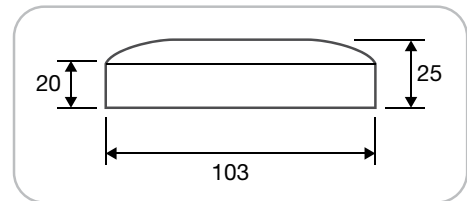
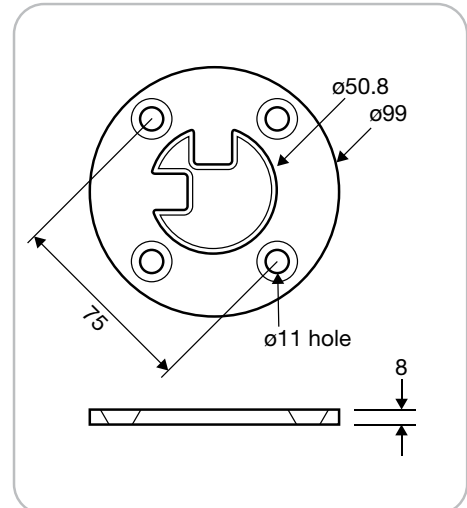


COVER PLATE DETAIL



BASE PLATE DETAIL



PRODUCT TYPE/

**Round Tube Stainless Steel
 90° Double Slot 50.8mm & Base**

TECHNICAL DETAILS/

- Round Tube 90° Double Slot 50.8mm, with a wall thickness of 1.5mm
- Welded base plate
- Slot width 15mm x 15mm
- 316L Stainless Steel

CODE

SRP50CRN1000

SRP50CRN1300

AVAILABLE FINISHES/

- Polished
- Satin

DESCRIPTION

1000mm in length
 (100mm infill)

1300mm in length
 (90mm infill)