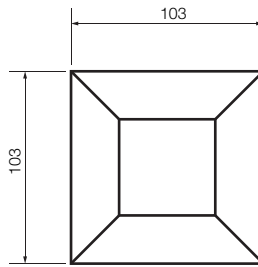
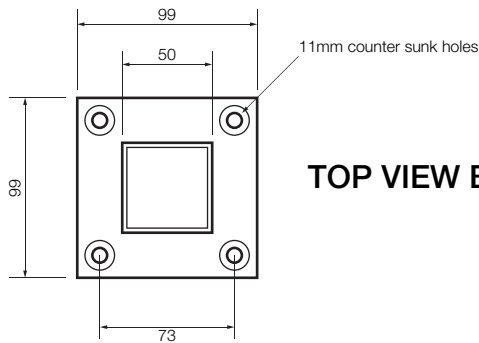


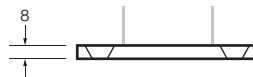
COVER PLATE SIDE DETAIL



TOP VIEW COVER PLATE DETAIL



TOP VIEW BASE PLATE DETAIL



BASE PLATE SIDE DETAIL

PRODUCT CODE/

**SQP50-1300**

PRODUCT TYPE/

**Square Stainless Steel Tube  
 50.8mm – Base Plate Cover**

TECHNICAL DETAILS/

- Welded Base Plate
- Wall thickness 1.5mm
- 316 Stainless Steel

AVAILABLE FINISHES/

- Polished
- Satin