



**PRODUCT CODE:**

CG-RIGI90

**PRODUCT TYPE:**

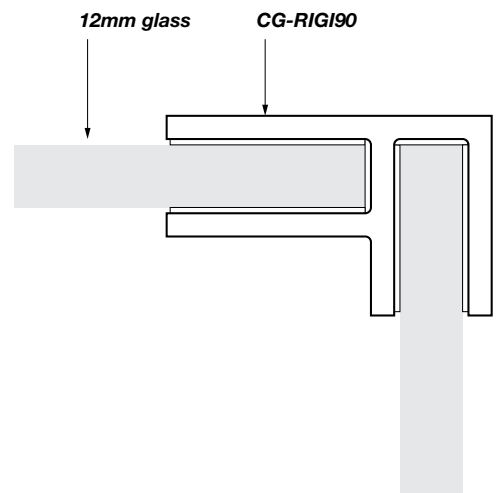
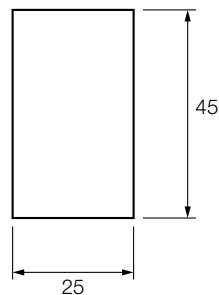
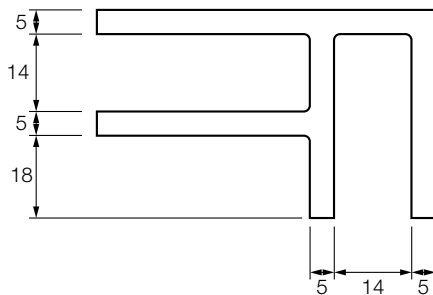
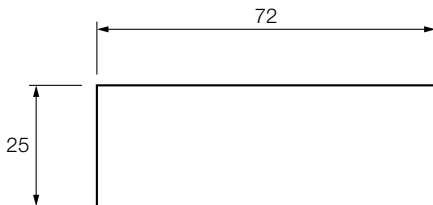
Glass/Glass 90° Corner RIGI Clamp

**TECHNICAL DETAILS:**

- Friction fit
- Suitable for 12mm glass
- 316 Stainless Steel

**AVAILABLE FINISHED:**

- Satin
- Polished
- Black



**TOP VIEW**