



PRODUCT CODE/

GCR-100

PRODUCT TYPE/

**Glass D-Clamp 65mm x 45mm
– Round**

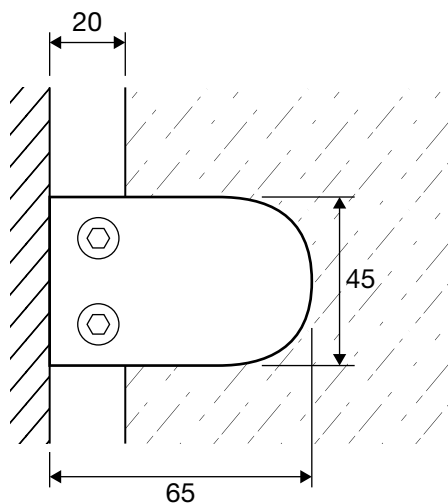
TECHNICAL DETAILS/

- Glass D-Clamp Heavy Duty Round
- Fits 12mm glass
- To suit 50mm Round Post

AVAILABLE FINISHES/

- Polished
- Satin

CLAMP-TO-GLASS DETAIL



HOLE DETAIL
(for optional pin)

