

PRODUCT CODE/

MTH-WG

PRODUCT TYPE/

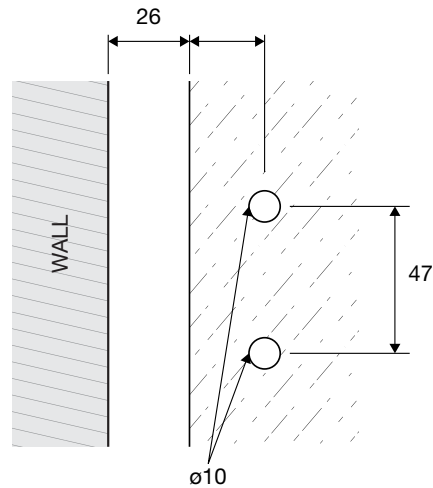
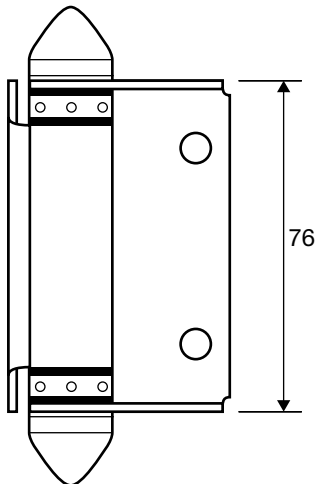
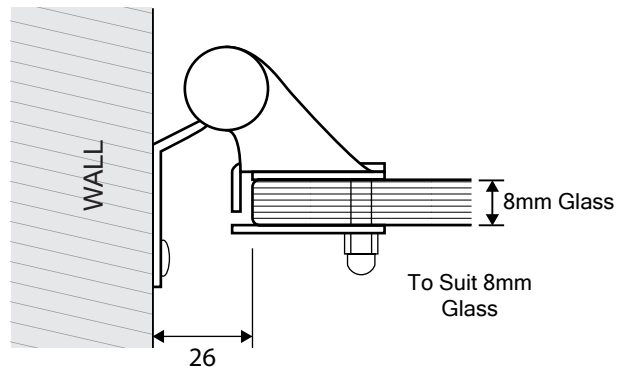
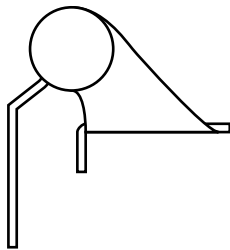
90° Wall Mount Hinge Set (per pair)

TECHNICAL DETAILS/

- 90° Wall Mount Hinge Set
- 316 Stainless Steel
- To suit MTHD1/MTHD2 gates

AVAILABLE FINISHES/

- Satin
- Polished
- Black



glass hole req. for top and bottom of glass gate