

PRODUCT CODE/

**MTH-GG**

PRODUCT TYPE/

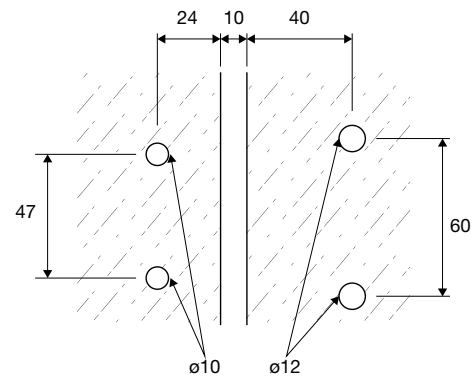
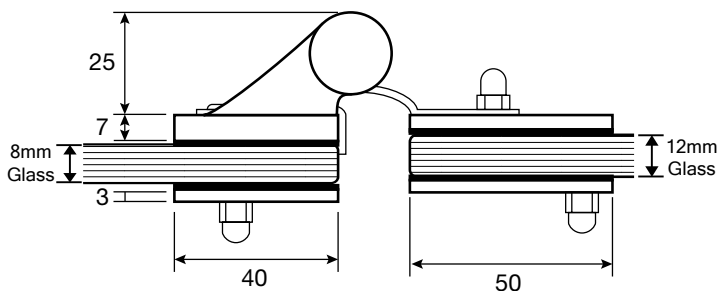
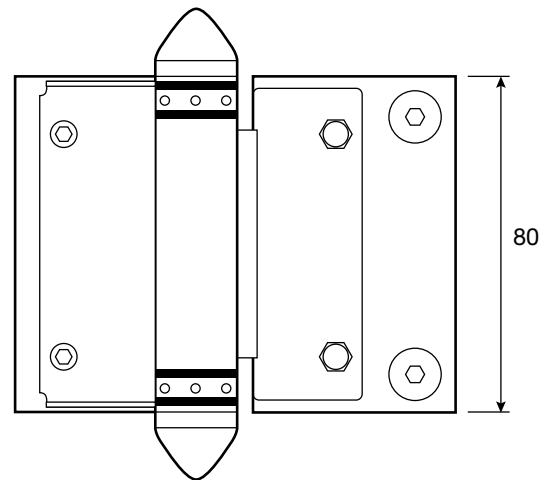
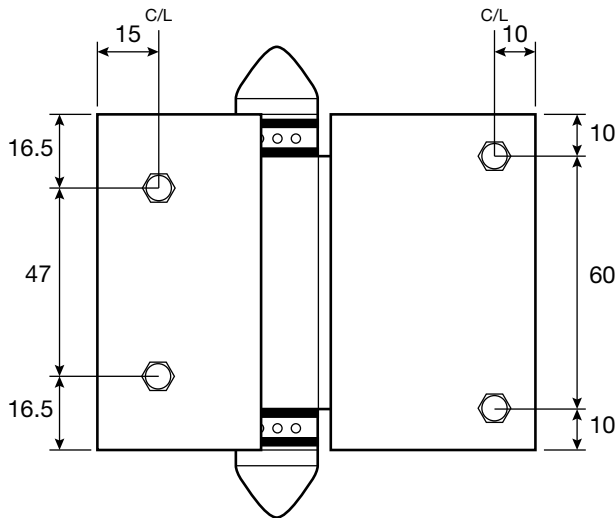
**Metro Hinge Set  
 Glass-to-Glass**

TECHNICAL DETAILS/

- Glass-to-Glass Metro Hinge
- 316 Stainless Steel
- To suit 12mm PGMTH1200 fixed panel and 8mm MTHD1/MTHD2 gates

AVAILABLE FINISHES/

- Satin
- Polished
- Black



glass hole req. for top and bottom of glass panel and gate

21 Encore Avenue, Somerton, Victoria Australia 3062

info@framelessdirect.com.au  
<http://www.framelessdirect.com.au>

TEL/ 03 9303 9008  
 FAX/ 03 8339 2425