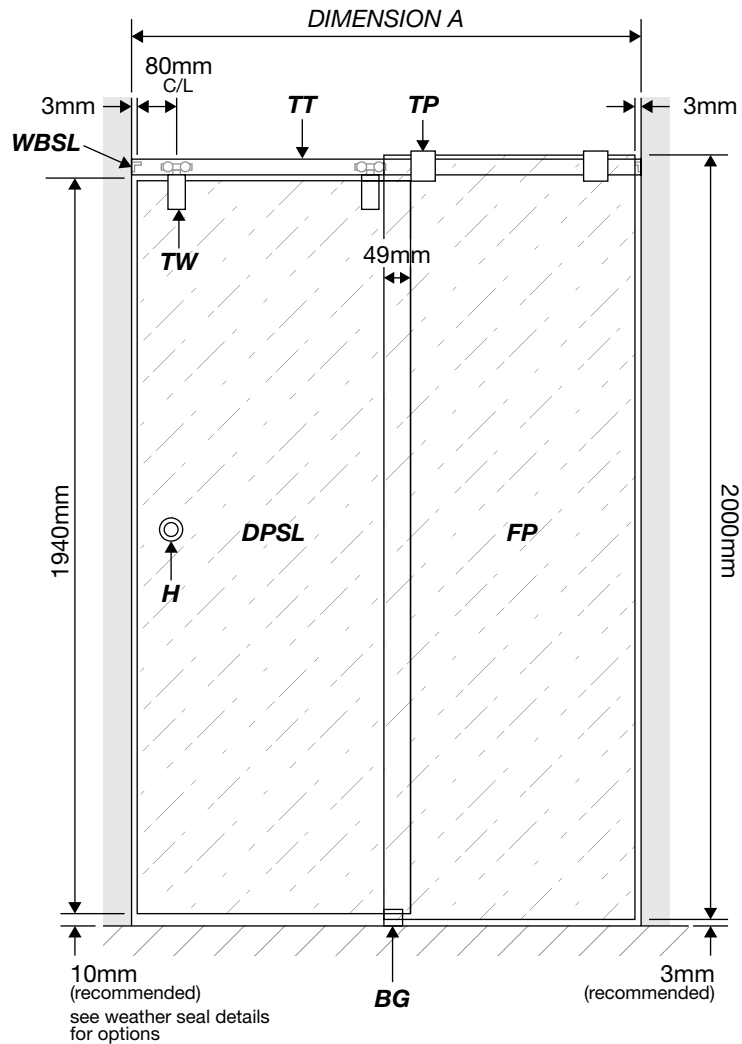


# INLINE SLIDING SHOWER SERIES (technical drawings)



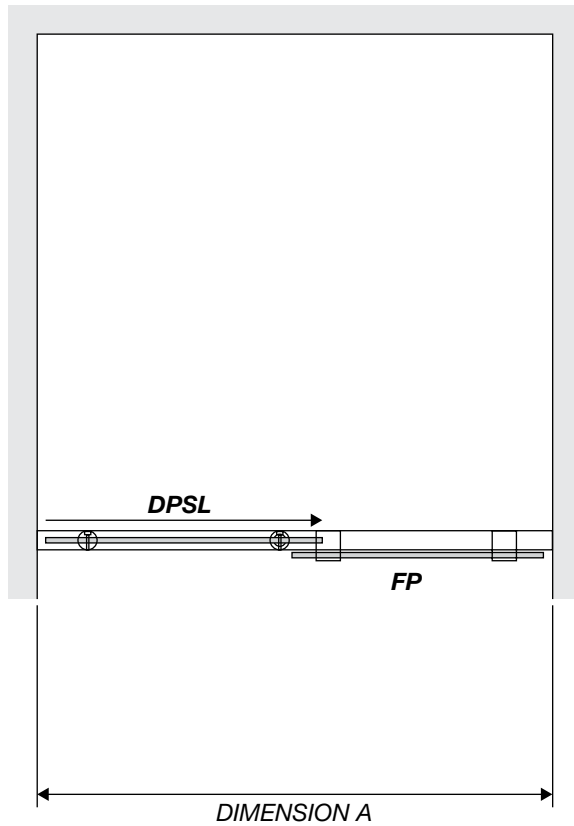
## LEGEND

<b>DIMENSION A</b>	The overall dimension including gaps between wall and all glass panels.
<b>FP</b>	Shower screen fixed glass panel (FP Glass Series).
<b>DPSL</b>	Sliding shower screen door glass panel with hinge cutouts and hole for selected door knob.
<b>TT</b>	Top Track 2000mm x1 *to be cut to size of Dimension A
<b>TP</b>	Top Patch x2
<b>WB</b>	Wall Bracket x2 (inside Top Track)
<b>BG</b>	Bottom Guide x1
<b>H</b>	Hole Handle x1
<b>TW</b>	Track Wheels x2

**\*\* All glass is 10mm clear toughened. \*\***

ELEVATION DRAWING

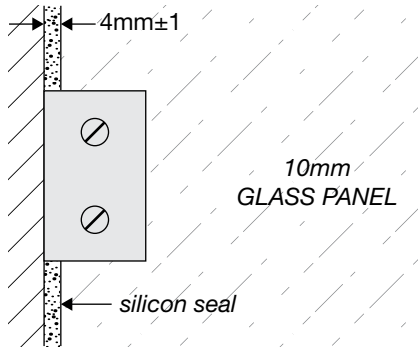
# INLINE SLIDING SHOWER SERIES (technical drawings)



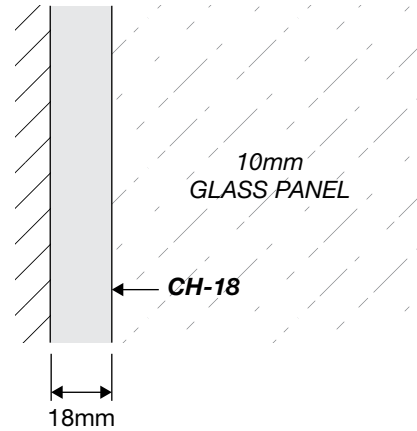
**Dimension A**, is the overall dimension including gaps between wall and all glass panels.

# WALL/FLOOR MOUNTING APPLICATIONS

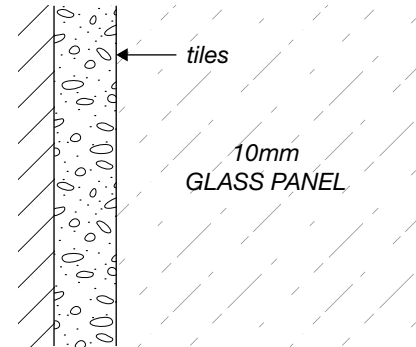
## 1/ CLAMP



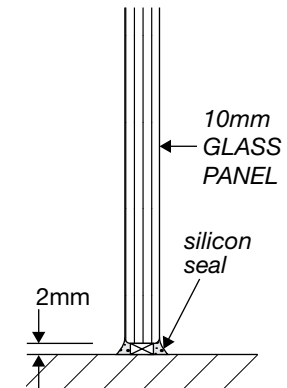
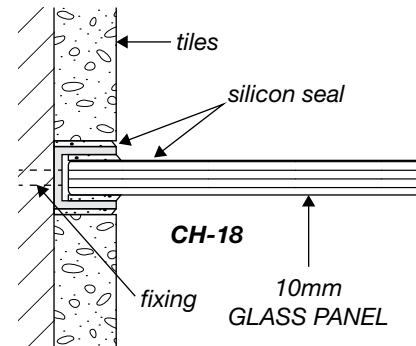
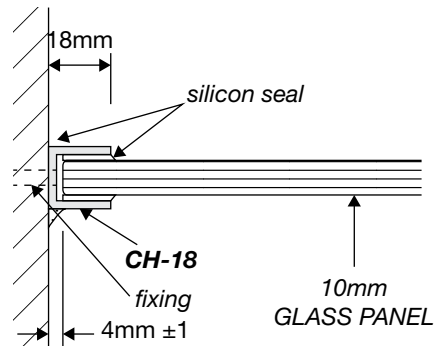
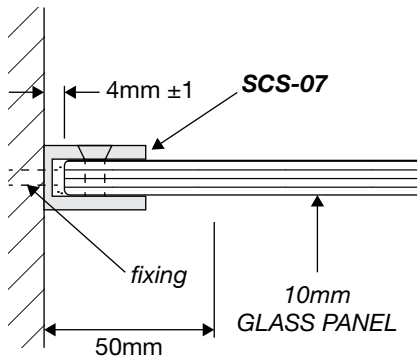
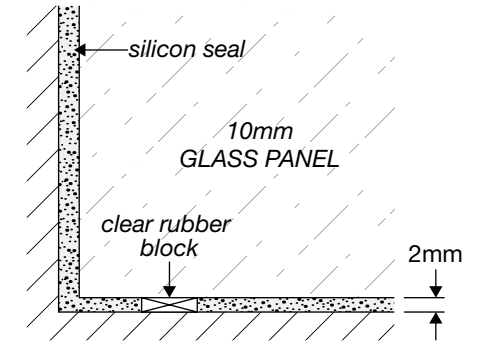
## 2/ CHANNEL



## 3/ REBATED CHANNEL (INTO TILES)



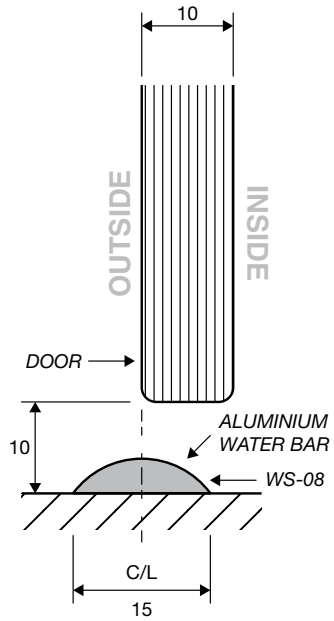
## 4/ GLASS-TO-FLOOR SEAL



WALL MOUNT DRAWINGS

# CLEAR WATER SEAL APPLICATIONS

OPTION 1



OPTION 2 (FIXED PANEL TO DOOR)

