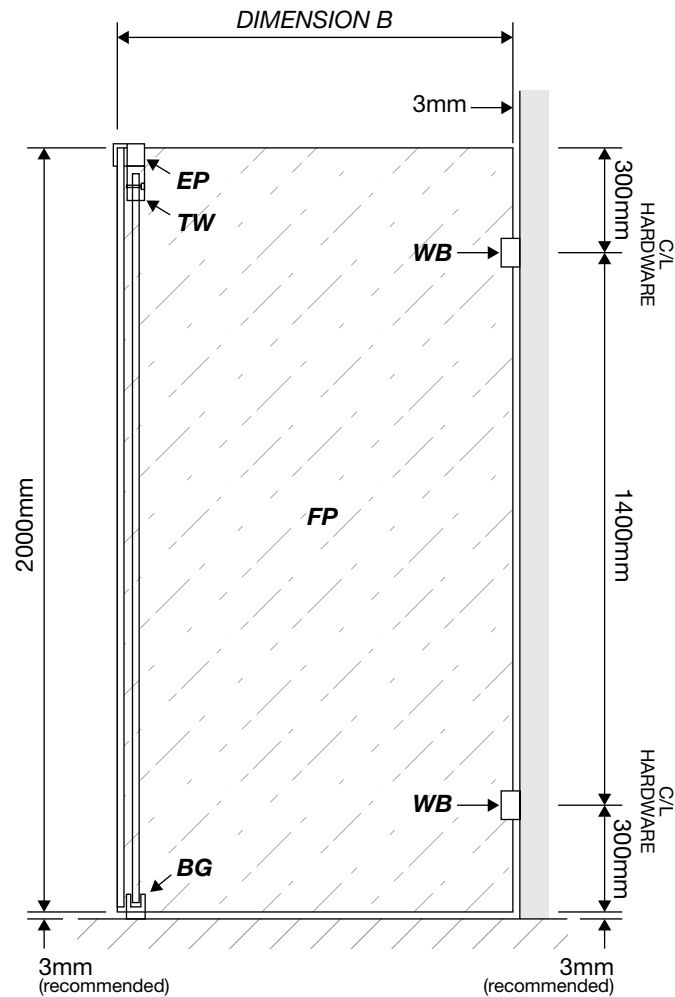
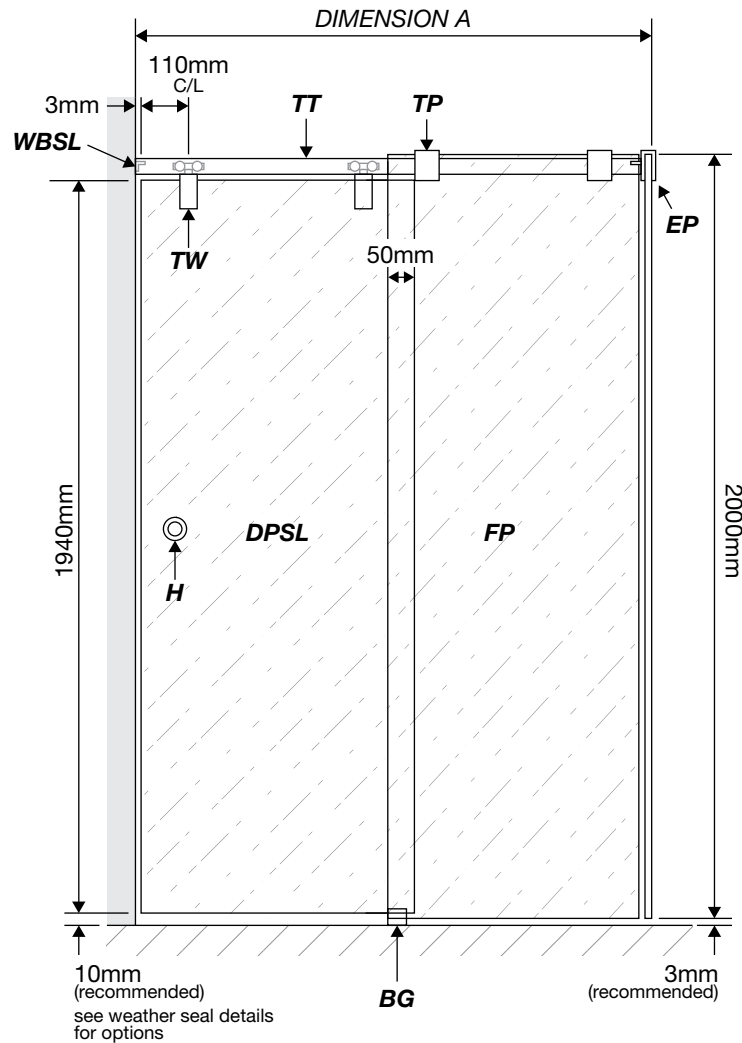


SQUARE 3-PANEL SLIDING SHOWER SERIES (technical drawings)



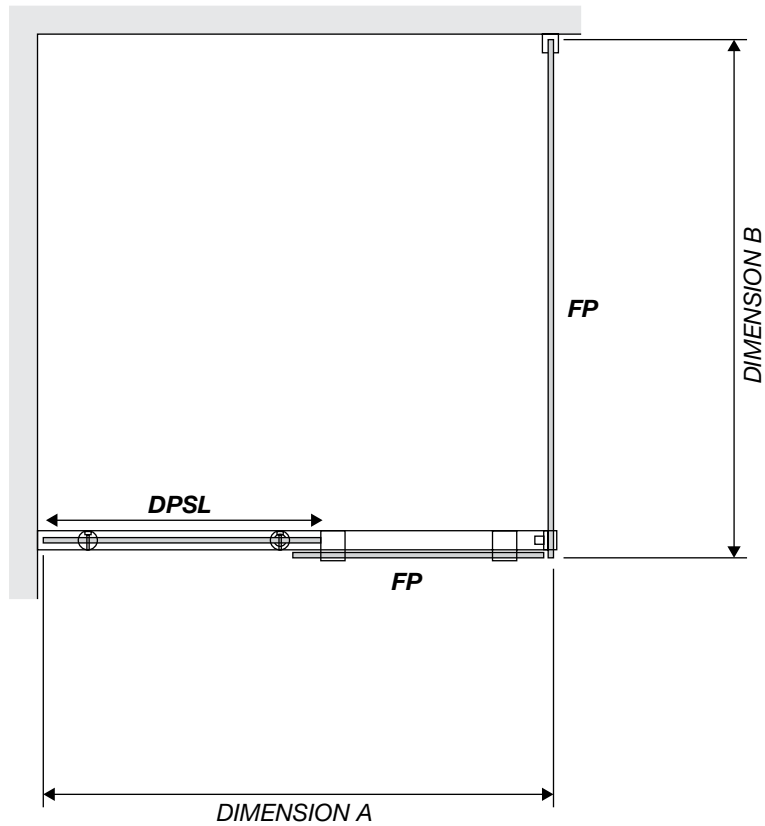
LEGEND

DIMENSION A	The overall dimension including gaps between wall and all glass panels.
DIMENSION B	The overall dimension, NOT including gaps between glass and wall (3mm gap is recommended).
FP	Shower screen fixed glass panel (FP Glass Series).
DPSL	Sliding shower screen door glass panel with hinge cutouts and hole for selected door knob.
TT	Top Track 2000mm
TP	Top Patch x2
WBSL	Sliding Shower Wall Bracket x2
BG	Bottom Guide x1
H	Hole Handle x1
TW	Track Wheels x2
WB	Wall Bracket
EP	Top End Patch x2

** All glass is 10mm clear toughened. **

ELEVATION DRAWING

SQUARE 3-PANEL SLIDING SHOWER SERIES (technical drawings)

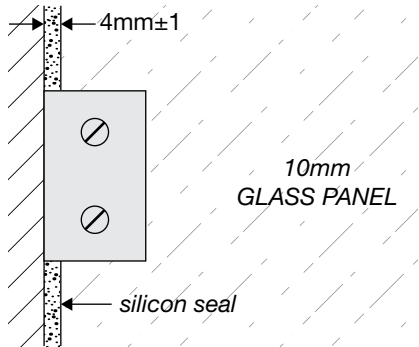


Dimension A, is the overall dimension including gaps between wall and all glass panels.

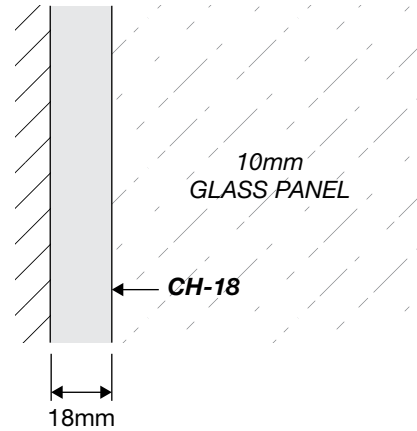
Dimension B, is the overall dimension, NOT including gaps between glass and wall (3mm gap is recommended).

WALL/FLOOR MOUNTING APPLICATIONS

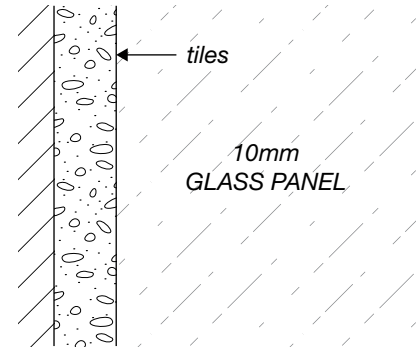
1/ CLAMP



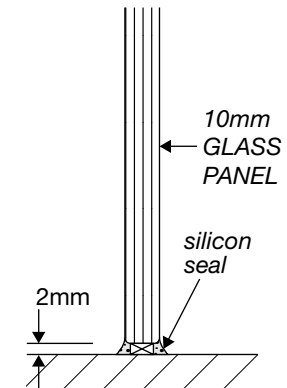
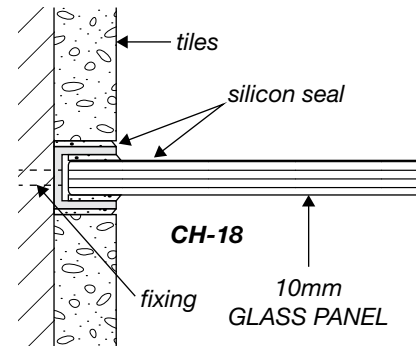
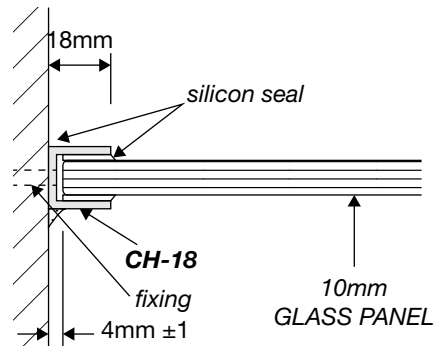
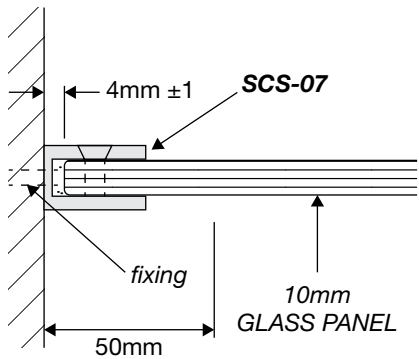
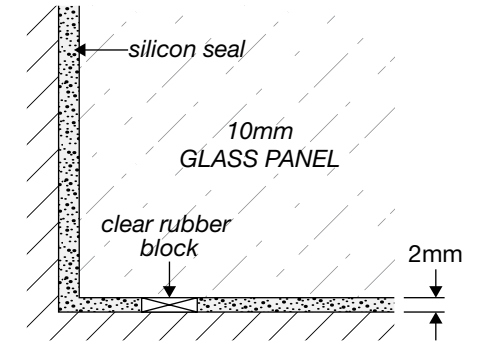
2/ CHANNEL



3/ REBATED CHANNEL (INTO TILES)



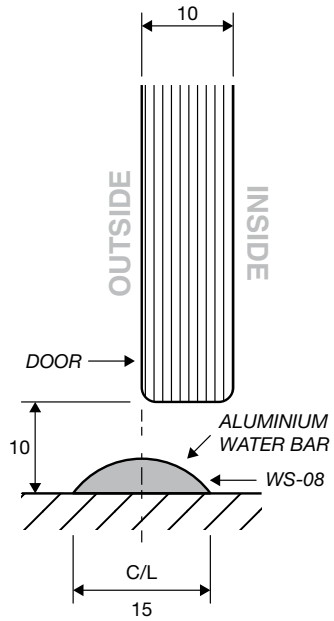
4/ GLASS-TO-FLOOR SEAL



WALL MOUNT DRAWINGS

CLEAR WATER SEAL APPLICATIONS

OPTION 1



OPTION 2 (FIXED PANEL TO DOOR)

