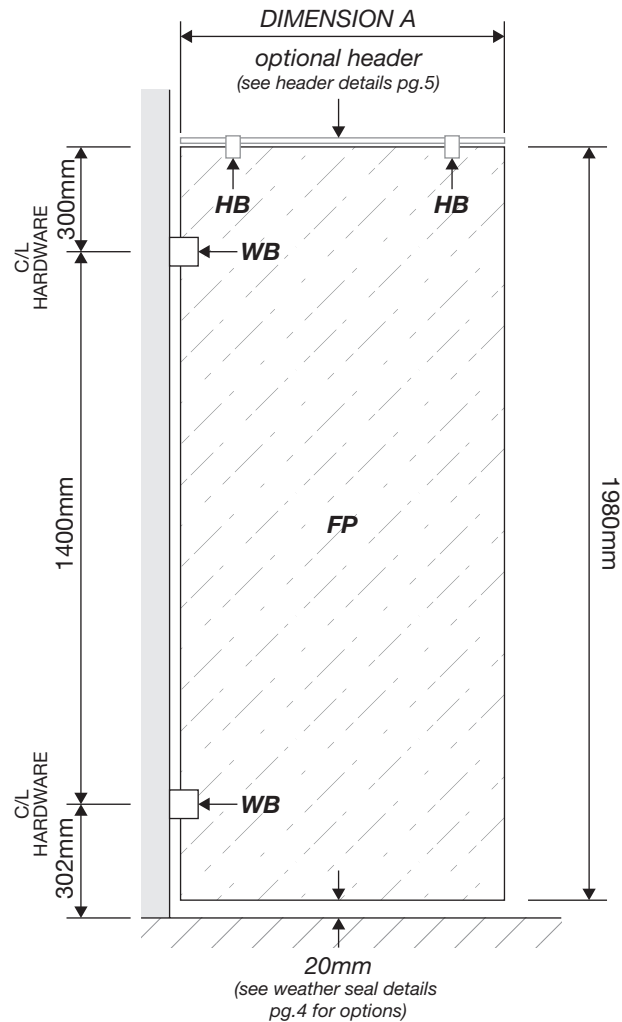


INLINE FIXED PANEL SHOWER SERIES (technical drawings)



LEGEND

DIMENSION A The overall dimension including gaps between glass panels, NOT including gap between glass and wall (4mm±1 to gap recommended).

FP Shower screen fixed glass panel (FP Glass Series).

WB Wall Bracket x2

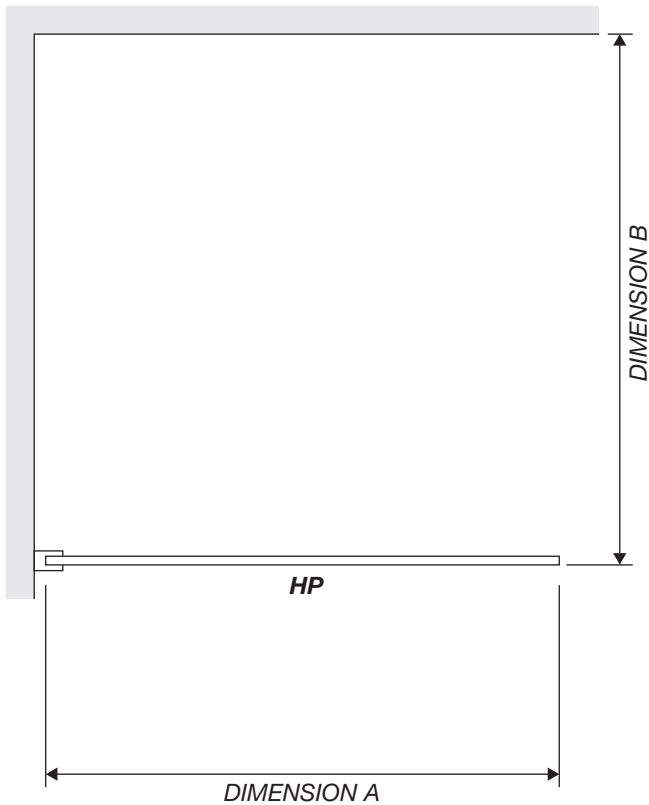
HB Header Bracket (optional)

K Knob x1

**** All glass is 10mm clear toughened. ****

ELEVATION DRAWING

INLINE FIXED PANEL SHOWER SERIES (technical drawings)



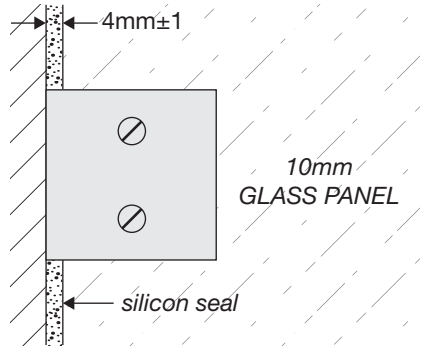
Dimension A, is the overall dimension including gaps between glass panels, NOT including gap between glass and wall ($4\text{mm} \pm 1$ to gap recommended).

Dimension B, is the overall dimension NOT including the gaps between glass and wall ($4\text{mm} \pm 1$ gap is recommended).

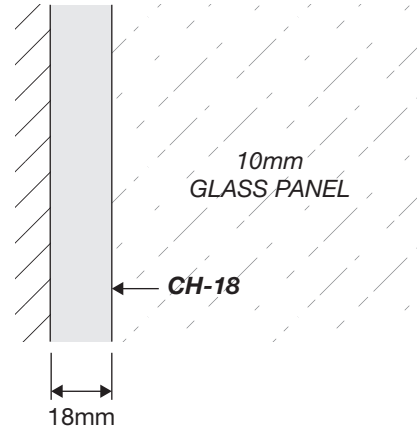
Between fixed panel and wall, silicon beading is required.

WALL/FLOOR MOUNTING APPLICATIONS

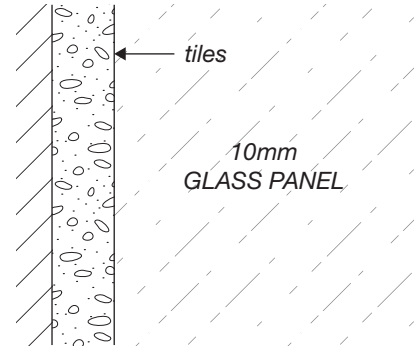
1/ CLAMP



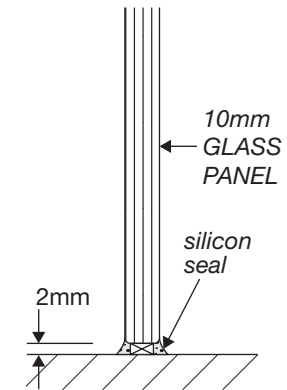
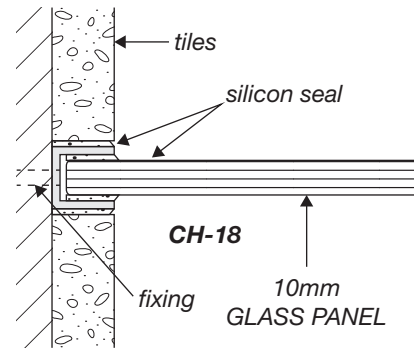
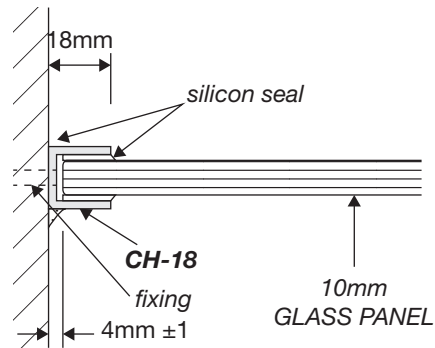
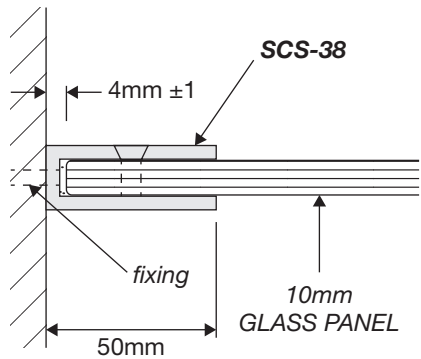
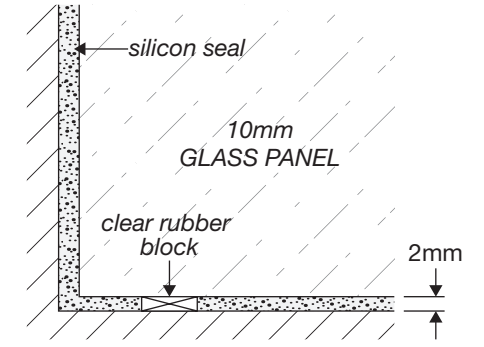
2/ CHANNEL



3/ REBATED CHANNEL (INTO TILES)



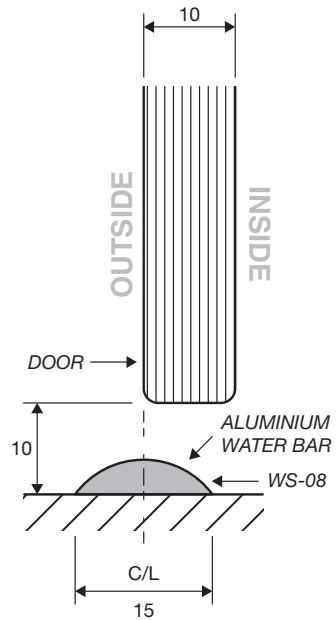
4/ GLASS-TO-FLOOR SEAL



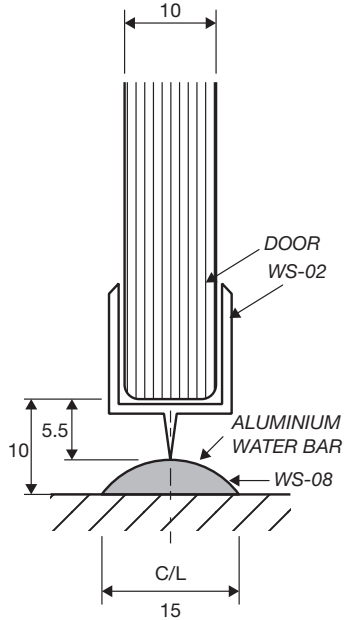
WALL MOUNT DRAWINGS

CLEAR WATER SEAL APPLICATIONS

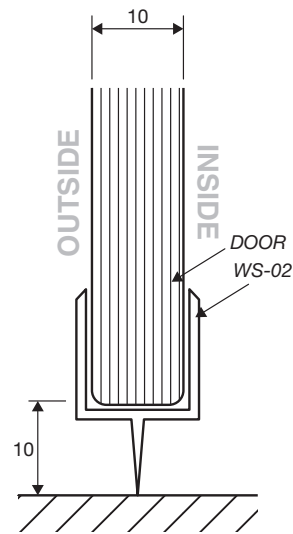
OPTION 1



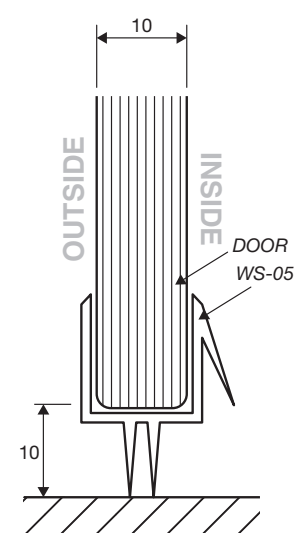
OPTION 2



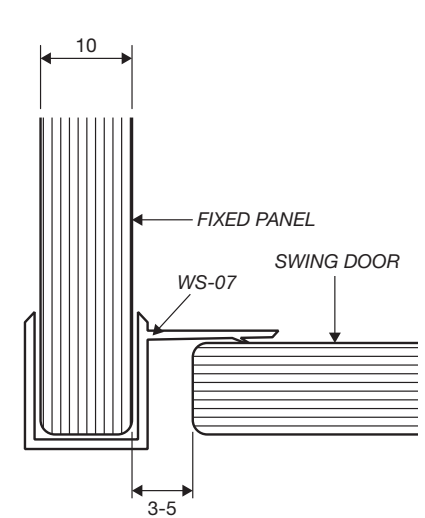
OPTION 3



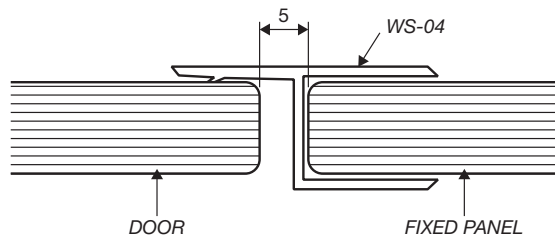
OPTION 4



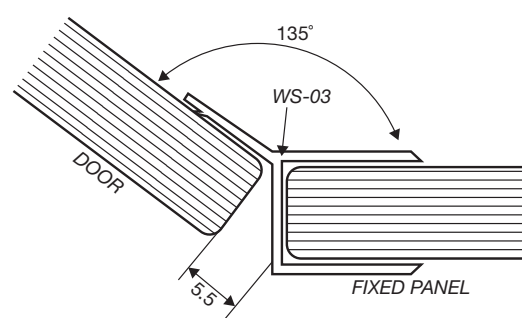
OPTION 5



OPTION 6 (FLOOR TO FIXED PANEL SEAL)

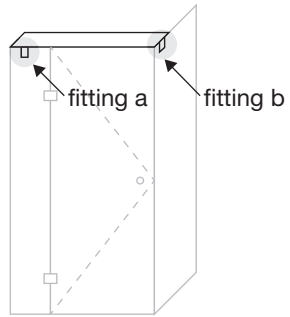


OPTION 7 (135° JOINT SEAL)

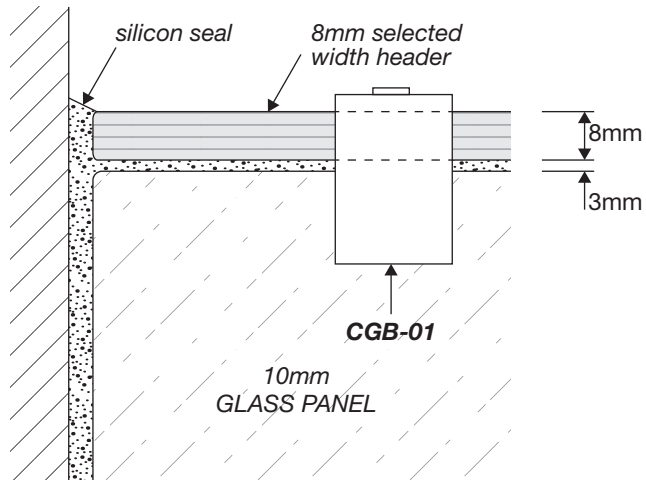


SEAL APPLICATION DRAWINGS

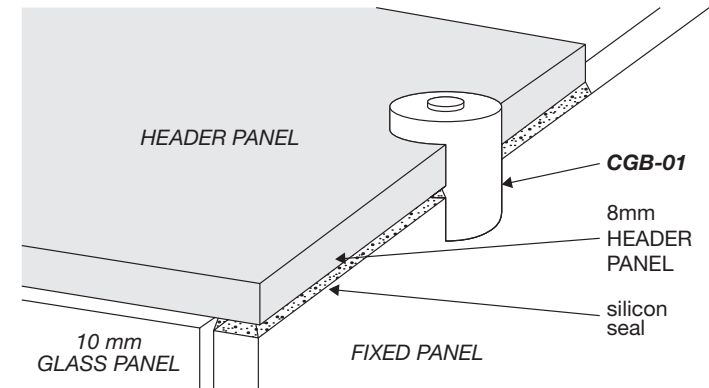
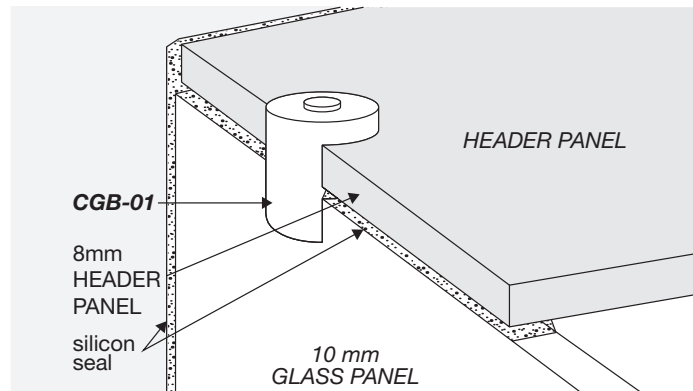
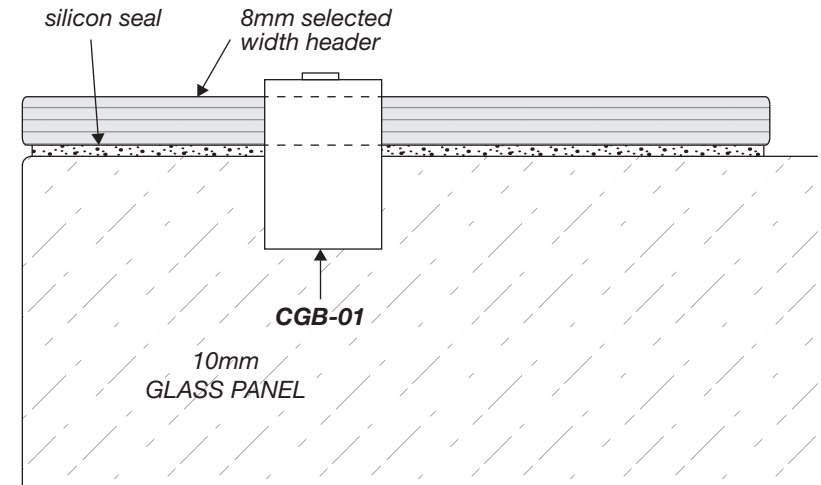
SHOWER HEADER APPLICATION



FITTING A



FITTING B



ELEVATION DRAWING